

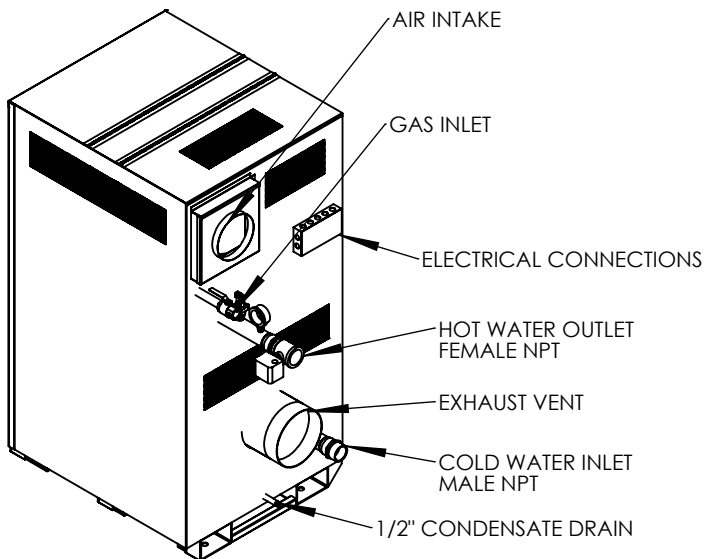
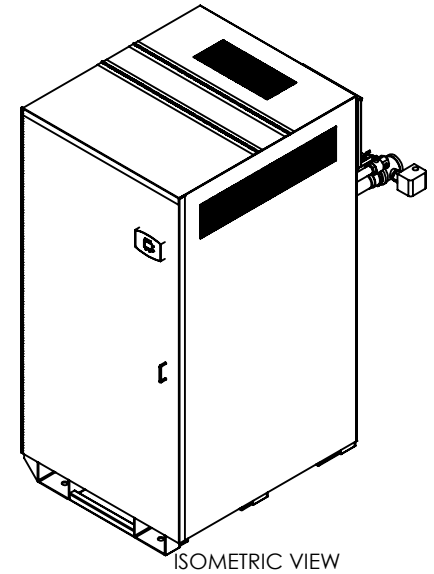
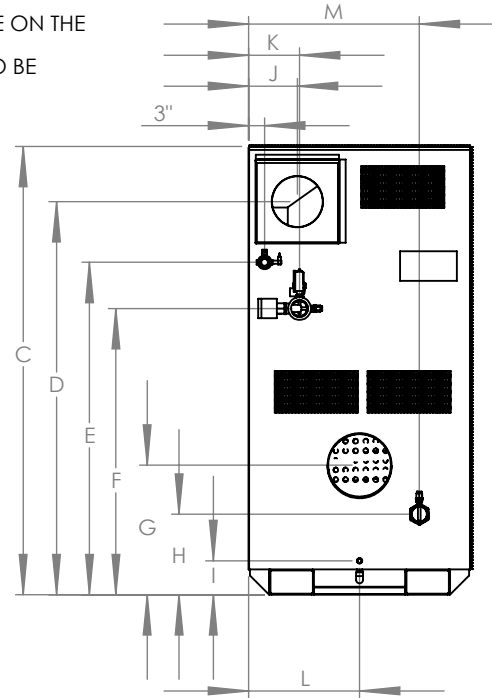
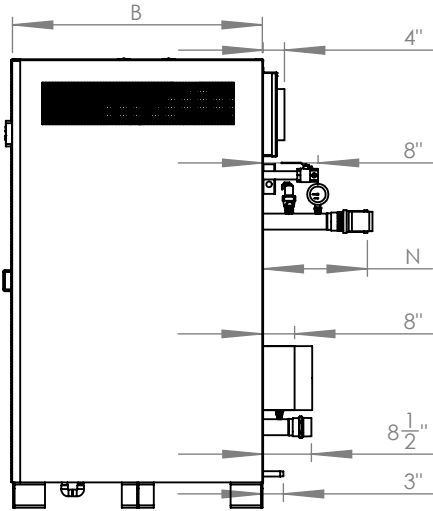
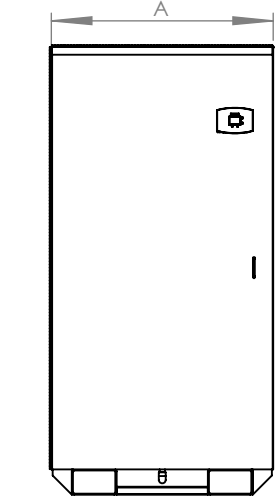
MODEL	A	B	C	D	E	F	G	H	I	J	K	L	M	N	WEIGHT
	WIDTH	DEPTH	HEIGHT	AIR INTAKE	GAS INLET	HOT OUT	EXHAUST VENT	COLD IN	COND DRAIN	AIR INTAKE	HOT OUT	DRAIN/EXHAUST	COLD IN	HOT OUT	LBS
A050	29"	34"	54"	48"	41"	36"	29"	24"	18"	6 1/2"	8"	14 1/2"	21"	13 1/2"	590
A075	29"	34"	54"	48"	41"	36"	22"	18"	11"	6 1/2"	8"	14 1/2"	21"	13 1/2"	685
A100	29"	34"	54"	48"	41"	36"	17"	11"	5"	6 1/2"	8"	14 1/2"	21"	13 1/2"	770
A150	29"	34"	69"	57"	53"	46"	17"	11"	5"	6 1/2"	8"	14 1/2"	21"	13 1/2"	840
A200	34 1/2"	39"	70"	58"	52"	45"	20"	13"	5"	7 1/2"	8"	17 1/4"	27"	15 1/2"	1100
A250	34 1/2"	39"	79"	70"	60"	53"	20"	13"	5"	7 1/2"	8"	17 1/4"	27"	15 1/2"	1350
A300	34 1/2"	39"	87"	79"	69"	62"	20"	13"	5"	7 1/2"	8"	17 1/4"	27"	15 1/2"	1600

*ALL DIMENSIONS ARE APPROXIMATE AND SUBJECT TO CHANGE

*050=500,000 BTU/HR AND 200=2,000,000 BTU/HR

*30PSI, 75PSI, OR OTHER NONSTANDARD RELIEF VALVE SELECTIONS MAY BE INSTALLED ON A TEE ON THE OUTLET OF THE BOILER AND INCREASE OUTLET LENGTH(DIM "N") BY 4 1/2 INCHES.

*LARGER RELIEF VALVES MAY BLOCK AIR INTAKE VENT AND MAY REQUIRE COMBUSTION AIR TO BE SUPPLIED FROM THE MECHANICAL ROOM.



CONNECTION SIZES

MODEL	AIR INTAKE	EXHAUST VENT	GAS INLET	WATER IN/OUT
A050	4"	6"	1"	2"
A075	4"	6"	1"	2"
A100	6"	8"	1"	2"
A150	6"	8"	1 1/4"	2"
A200	8"	10"	1 1/4"	2 1/2"
A250	10"	12"	1 1/4"	2 1/2"
A300	10"	12"	1 1/4"	2 1/2"

ACE HEATERS

www.aceheaters.com

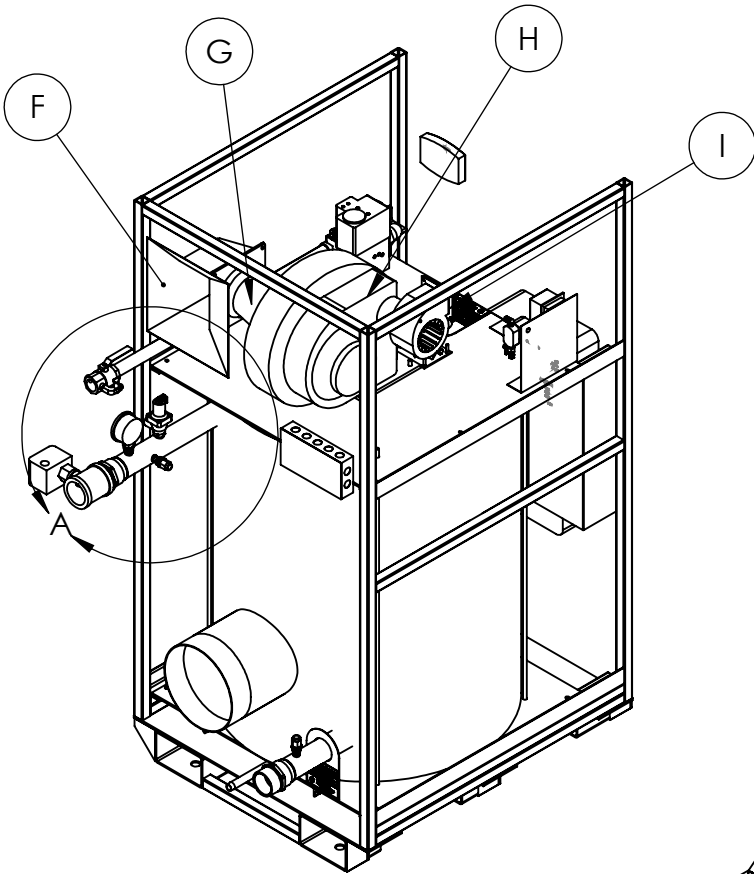
This document contains proprietary information from Ace Heaters. Do not reproduce or distribute without prior written consent of Ace Heaters.

ATLAS MODELS A 050-300 WITH SS JACKET

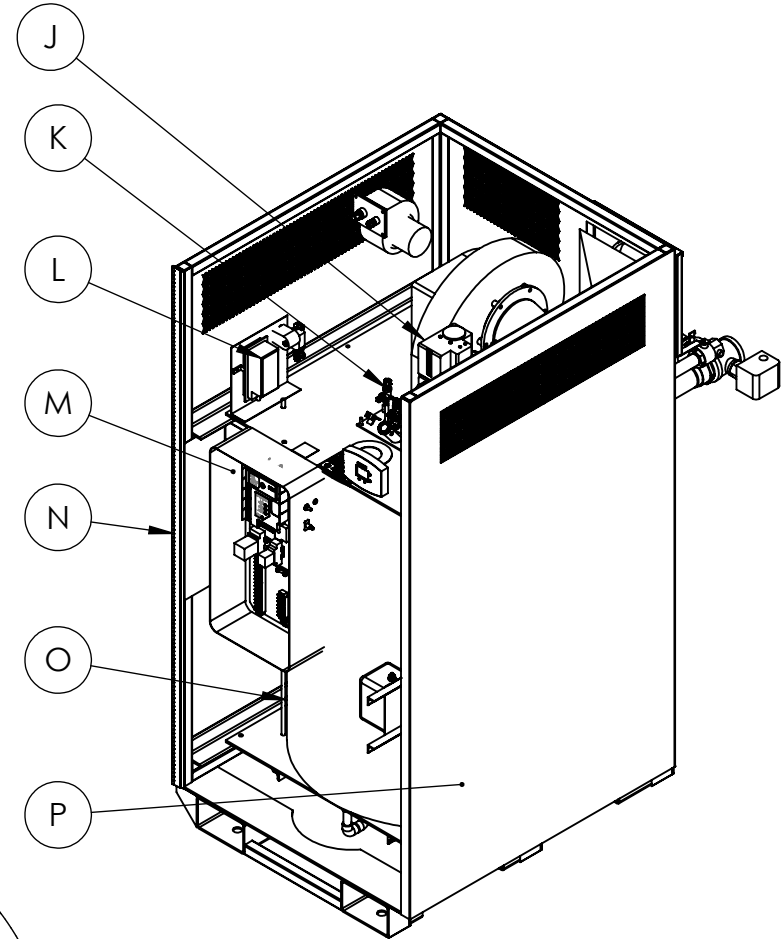
Orig Date:

Rev Date:

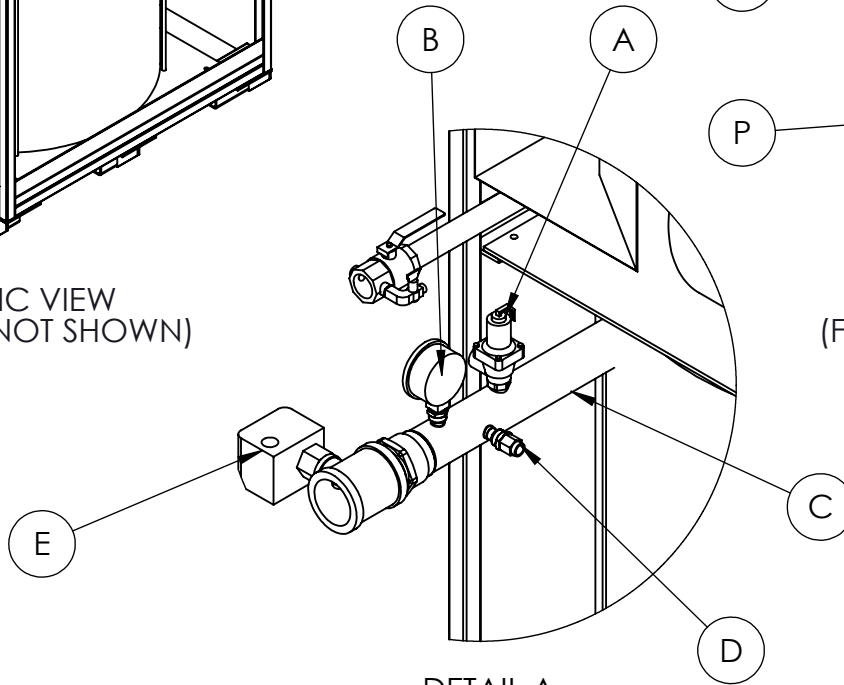
ATLAS SUBMITTAL DRAWING



REAR ISOMETRIC VIEW
(ALL JACKETING IS NOT SHOWN)



FRONT ISOMETRIC VIEW
(FRONT AND TOP JACKETING IS NOT SHOWN)



DETAIL A
SCALE 1 : 10

ACE HEATERS www.aceheaters.com			
This document contains proprietary information from Ace Heaters. Do not reproduce or distribute without prior written consent of Ace Heaters.			A.I:
SCALE: NA	Filename: Atlas 200 Assembly For Submittal	SHEET 1 OF 1	
Drawn:	Orig Date:	Checked:	Rev Date:
ATLAS SUBMITTAL DRAWING			
Dwg #:	SO:	REV:	