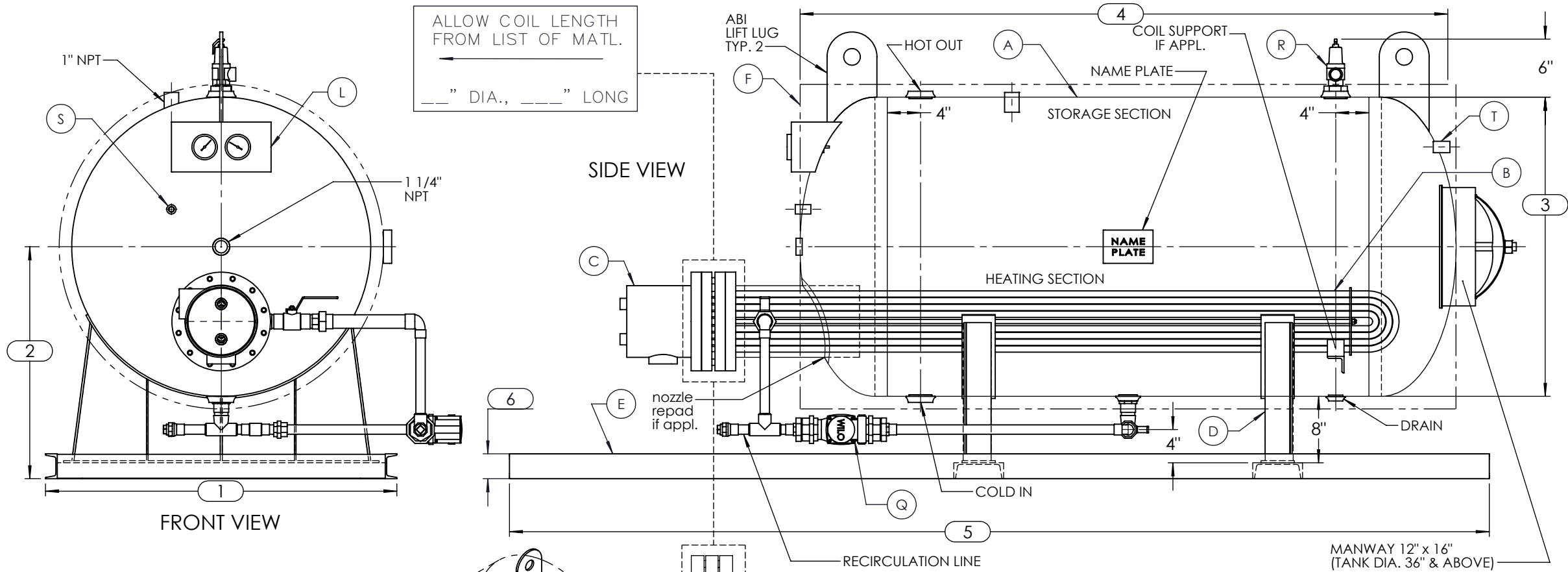
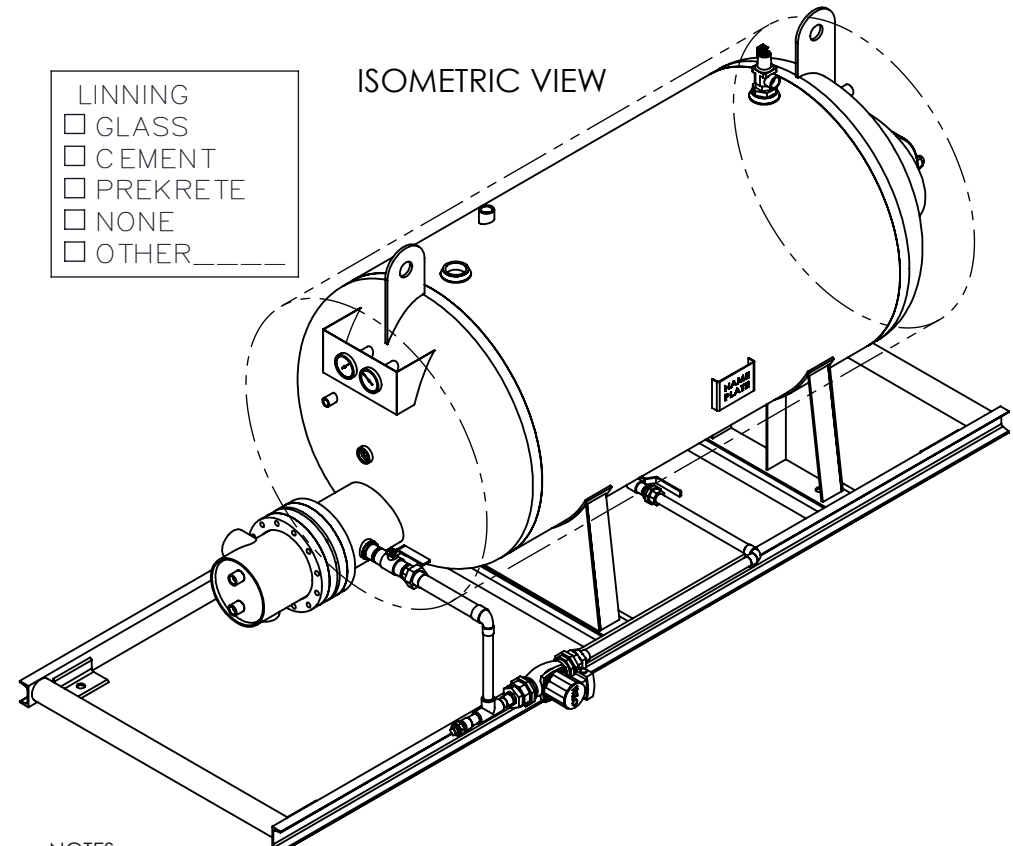


Shell Sizes	DIMENSIONS in INCHES					
	1	2	3	4	5	6
1802				34	62	
1803	20.32	18.41	18	46	74	3
1804				58	86	
1805				70	98	
2404				61	95	
2405	30.32	21.41	24	73	107	3
2406				85	119	
2407				97	131	
3004				64	100	
3005	36.42	24.92	30	76	112	3
3006				88	124	
3007				100	136	
3604				67	106	
3605	42.32	27.92	36	79	118	3
3606				91	130	
3607				103	142	
3608				115	154	
4204				70	109	
4205	48.32	30.92	42	82	121	3
4206				94	133	
4207				106	145	
4208				118	157	
4804				73	112	
4805	54.32	33.92	48	85	124	3
4806				97	136	
4807				109	148	
4808				121	160	
5405				88	127	
5406	60.66	37.26	54	100	139	4
5407				112	131	
5408				124	163	
6005				91	130	
6006	66.66	40.26	60	103	142	4
6007				115	154	
6008				127	166	
6009				139	178	
6605				94	133	
6606	72.66	43.26	66	106	145	4
6607				118	157	
6608				130	169	
6609				144	181	
7205				97	136	
7206	78.66	46.26	72	109	148	4
7207				121	160	
7208				133	172	
7209				147	184	



- LINNING
- GLASS
 - CEMENT
 - PREKRETE
 - NONE
 - OTHER _____



NOTES:

- REFER TO "LIST OF MATERIALS" FOR DESCRIPTION OF LETTERED ITEMS.
- ALL COMPONENTS SHOWN ARE PREWIRED AND/OR PREPIPED BY ACE HEATERS. CUSTOMER NEEDS ONLY TO PLUMB WATER TO BE HEATED, STEAM AND CONDENSATE LINES, AND BRING ELECTRICITY TO THE CONTROL BOX.
- ALL DIMENSIONS ARE IN INCHES AND SUBJECT TO CHANGE WITHOUT NOTICE.

USE DET 1 or DET 1A
 DET 2 or DET 2A
 DET 3 or DET 3A

DET 1	DET 1A	DET 2	DET 2A	DET 3	DET 3A
WATER-2 PASS CAP LAYOUT THRD. CONN.	WATER-2 PASS CAP LAYOUT FLG. CONN.	WATER-4 PASS CAP LAYOUT THRD. CONN.	WATER-4 PASS CAP LAYOUT FLG. CONN.	WATER-6 PASS CAP LAYOUT THRD. CONN.	WATER-6 PASS CAP LAYOUT FLG. CONN.

	CERTIFIED BY Ace Heaters	ACE HEATERS		
	MAXIMUM ALLOWABLE WORKING PRESSURE SHELL <u>150</u> PSI @ <u>390</u> °F TUBES <u>150</u> PSI @ <u>390</u> °F	This document contains proprietary information from Ace Heaters. Do not reproduce or distribute without prior written consent of Ace Heaters.	ASME Section VIII Div 1: Design Pressure: 150 psig Test Pressure: 195 psig Max Design Temperature: 390°F	A.I.:
	MIN. D.M.T. <u>0</u> °F @ <u>150</u> PSI S/N _____ YEAR BUILT _____	SCALE: N/A	Filename: GHW-IJ-SK-PUMP	SHEET 1 OF 1
	MODEL _____ CAPACITY _____ GAL SA. _____ SQFT JOB NO. _____ XXX	Dwg By: VN	Orig Date: 3/11/09	Rev Date: 9/20/12
		Horizontal Unpackaged Storage Water Heater Water - Ins. - Jkt. - Skid - Recirculation		Checked By: _____
	Dwg #: GHW-IJ-SK-PUMP	SO: _____	REV. 1	