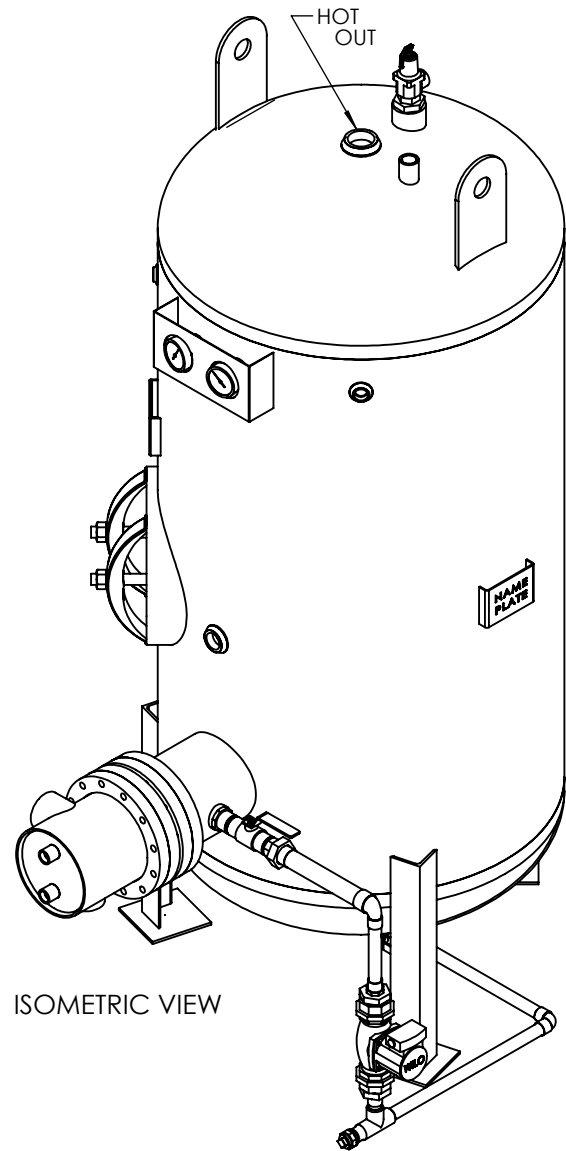
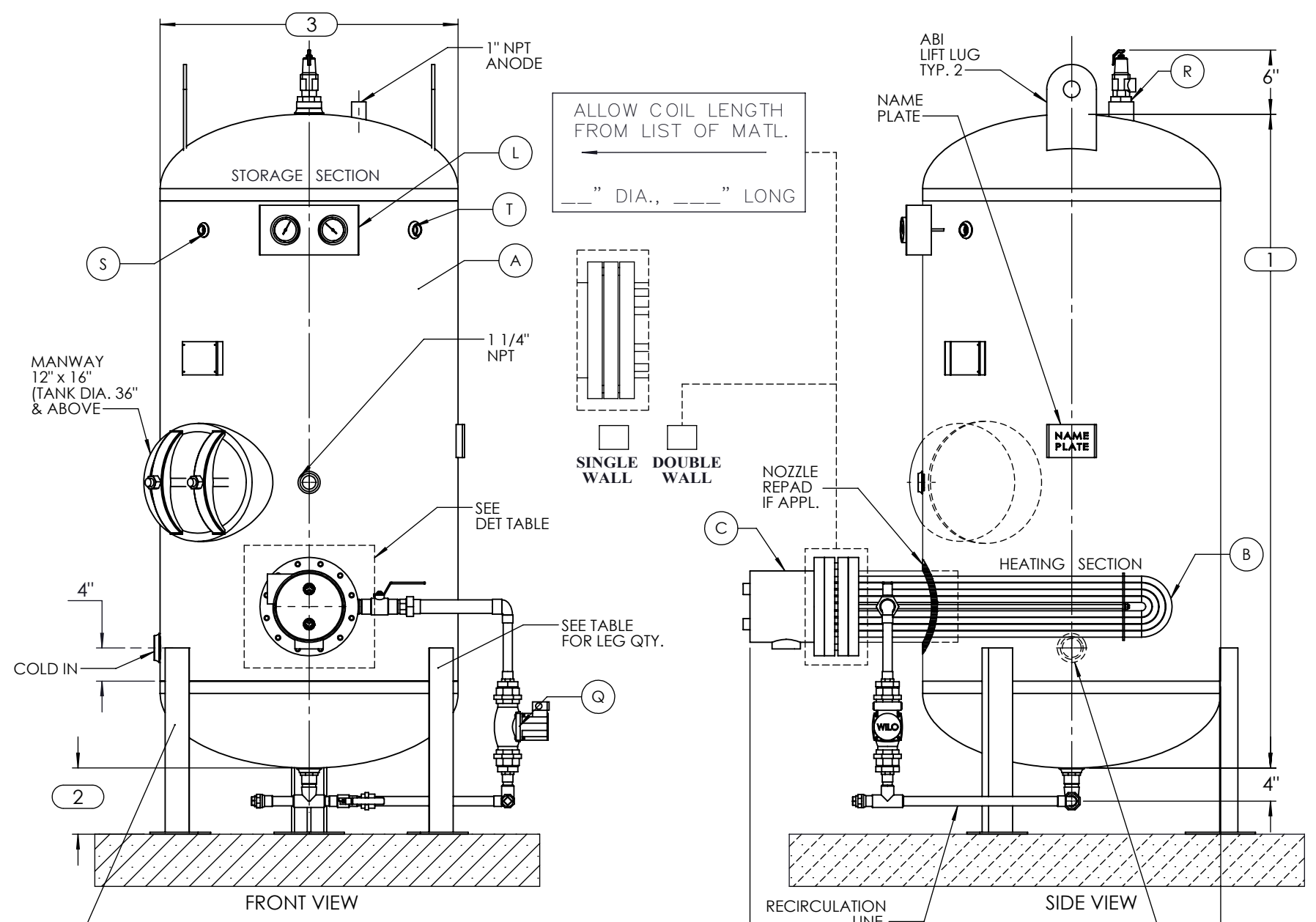


Shell Sizes	DIMENSIONS						
	1	2		3	4	Leg QTY.	
		Pipe Legs w/ Pads	Angle Legs w/ Pads			Pipe Legs w/ Pads	Angle Legs w/ Pads
1802	36						
1803	48	8	8	18	38 MAX	3	3
1804	60						
1805	72						
2404	63						
2405	75	8 1/2	8	24	50 MAX	3	3
2406	87						
2407	99						
3004	66						
3005	78	11	8	30	58 MAX	3	3
3006	90						
3007	102						
3604	69						
3605	81	9 1/2	8	36	66 MAX	3	3
3606	93						
3607	105						
3608	117						
4204	72						
4205	84	13 1/2	8	42	72 MAX	3	3
4206	96						
4207	108						
4208	120						
4804	75						
4805	87	13	8	48	78 MAX	3	4
4806	99						
4807	111						
4808	123						
5405	91						
5406	103	11	8	54	84 MAX	3	4
5407	115						
5408	127						
6005	93						
6006	105	11	8	60	90 MAX	4	4
6007	117						
6008	129						
6009	141						
6605	95						
6606	107	12	8	66	96 MAX	4	4
6607	119						
6608	131						
6609	143						
7205	98						
7206	110	12 1/2	8	72	102 MAX	4	4
7207	122						
7208	134						
7209	146						

- LINING
- GLASS
  - CEMENT
  - PREKRETE
  - NONE
  - OTHER \_\_\_\_\_



ISOMETRIC VIEW

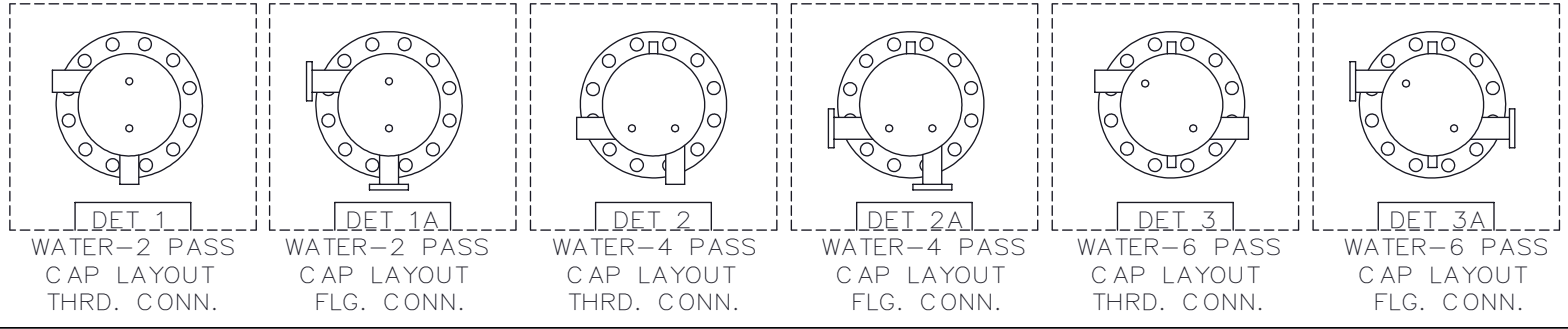


- LEG SUPPORT
- PIPE LEGS WITH PADS
  - ANGLE LEGS WITH PADS (AS SHOWN)
  - OTHER \_\_\_\_\_

- USE  DET 1 or  DET 1A  
 DET 2 or  DET 2A  
 DET 3 or  DET 3A

ALLOW COIL LENGTH FROM LIST OF MATL.  
 \_\_\_\_\_" DIA., \_\_\_\_\_" LONG

- NOTES:
- REFER TO "LIST OF MATERIALS" FOR DESCRIPTION OF LETTERED ITEMS.
  - ALL COMPONENTS SHOWN ARE PREWIRED AND/OR PREPARED BY ACE HEATERS. CUSTOMER NEEDS ONLY TO PLUMB WATER TO BE HEATED, STEAM AND CONDENSATE LINES, AND BRING ELECTRICITY TO THE CONTROL BOX.
  - ALL DIMENSIONS ARE IN INCHES AND SUBJECT TO CHANGE WITHOUT NOTICE.



DET 1 WATER-2 PASS CAP LAYOUT THRD. CONN.  
 DET 1A WATER-2 PASS CAP LAYOUT FLG. CONN.  
 DET 2 WATER-4 PASS CAP LAYOUT THRD. CONN.  
 DET 2A WATER-4 PASS CAP LAYOUT FLG. CONN.  
 DET 3 WATER-6 PASS CAP LAYOUT THRD. CONN.  
 DET 3A WATER-6 PASS CAP LAYOUT FLG. CONN.

CERTIFIED BY \_\_\_\_\_

**ACE HEATERS**

MAXIMUM ALLOWABLE WORKING PRESSURE  
 SHELL 150 PSI @ 390 °F  
 TUBES 150 PSI @ 390 °F  
 MIN. D.M.T. 0 °F @ 150 PSI  
 S/N \_\_\_\_\_ YEAR BUILT \_\_\_\_\_

MODEL \_\_\_\_\_  
 CAPACITY \_\_\_\_\_ GAL SA. \_\_\_\_\_ SQFT  
 JOB NO. \_\_\_\_\_ XXX \_\_\_\_\_

**ACE HEATERS**

This document contains proprietary information from ACE HEATERS. Do not reproduce or distribute without prior written consent of ACE HEATERS.

ASME Section VIII Div 1:  
 Design Pressure: 150 psig  
 Test Pressure: 195 psig  
 Max Design Temperature: 390°F

SCALE: N/A    Filename: GVW-PUMP    SHEET 1 OF 1  
 Dwg By: \_\_\_\_\_    Orig Date: \_\_\_\_\_    Rev Date: \_\_\_\_\_    Checked By: \_\_\_\_\_

**Vertical Unpackaged Storage Water Heater**  
 Water -with Recirc.- No Ins.- No Skid

Dwg #: GVW-PUMP    SO: \_\_\_\_\_    REV. 1