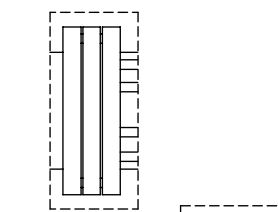
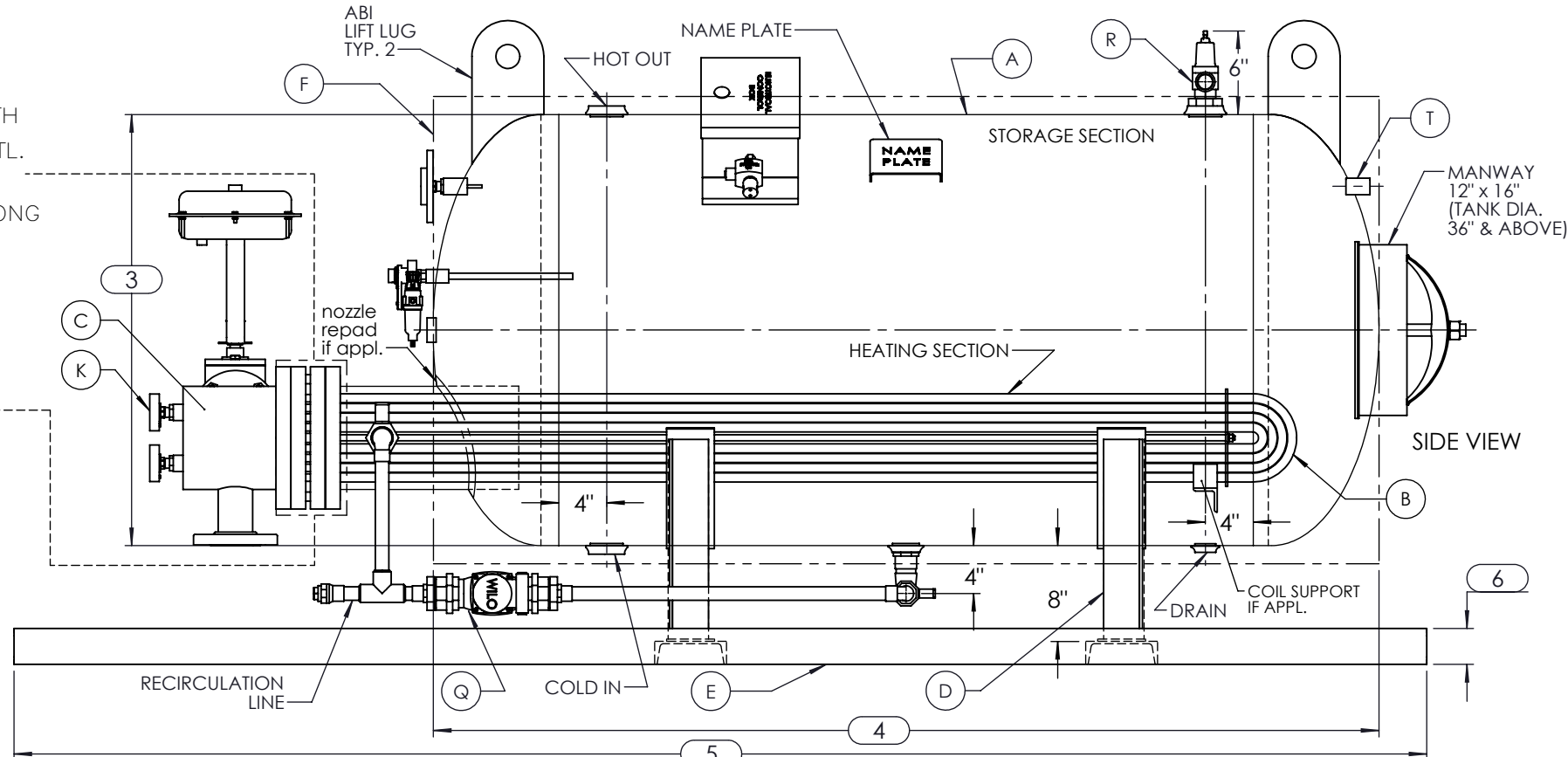


FRONT VIEW

ALLOW COIL LENGTH FROM LIST OF MATL.  
 " DIA., " LONG

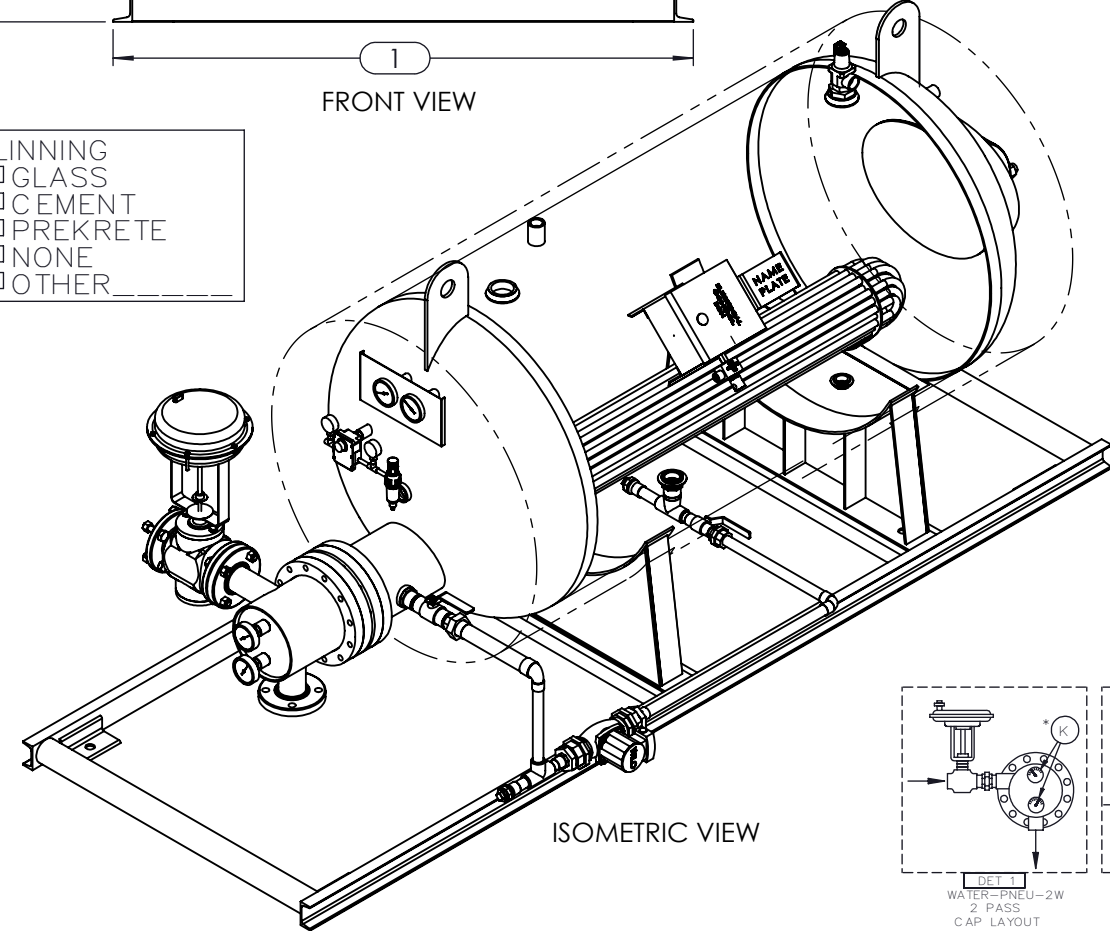


SINGLE WALL    DOUBLE WALL  
 USE  DET 1 or  DET 1A  
 DET 2 or  DET 2A  
 DET 3 or  DET 3A



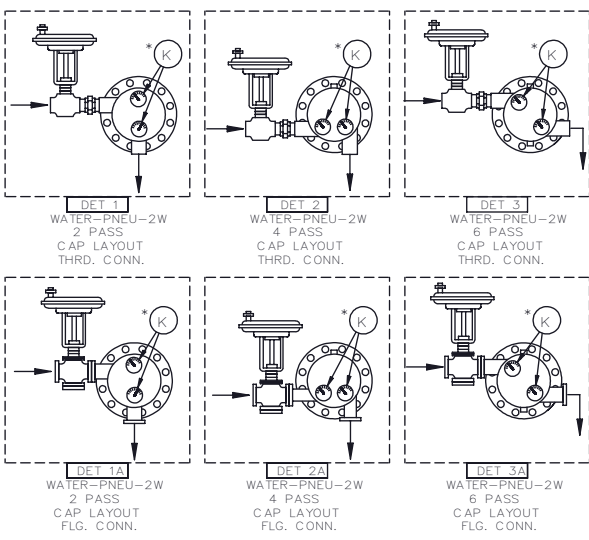
SIDE VIEW

LINING  
 GLASS  
 CEMENT  
 PREKRETE  
 NONE  
 OTHER



ISOMETRIC VIEW

DIMENSIONS	SHELL SIZES					SHELL SIZES					SHELL SIZES					SHELL SIZES												
	1802	1803	1804	1805		3004	3005	3006	3007		4204	4205	4206	4207		4208	5405	5406	5407	5408	6605	6606	6607	6608	6609			
1	24.32				1	36.32				1	48.32				1	60.66				1	72.66							
2	18.41				2	24.92				2	30.92				2	37.26				2	43.26							
3	18				3	30				3	42				3	54				3	66							
4	34	46	58	70	4	64	76	88	100	4	70	82	94	106	118	4	88	100	112	124	4	94	106	118	130	144		
5	62	74	86	98	5	100	112	124	136	5	109	121	133	145	157	5	127	139	151	163	5	133	145	157	169	181		
6	3				6	3				6	3				6	4				6	4							
DIMENSIONS	SHELL SIZES					SHELL SIZES					SHELL SIZES					SHELL SIZES												
	2404	2405	2406	2407		3604	3605	3606	3607		3608	4804	4805	4806		4807	4808	6005	6006	6007	6008	6009	7205	7206	7207	7208	7209	
1	30.32				1	42.32				1	54.32				1	66.66				1	78.66							
2	21.41				2	27.92				2	33.92				2	40.26				2	46.26							
3	24				3	36				3	48				3	60				3	72							
4	61	73	85	97	4	67	79	91	103	115	4	73	85	97	109	121	4	91	103	115	127	139	4	97	109	121	133	147
5	95	107	119	131	5	106	118	130	142	154	5	112	124	136	148	160	5	130	142	154	166	178	5	136	148	160	172	184
6	3				6	3				6	3				6	4				6	4							



NOTES:  
 1. REFER TO "LIST OF MATERIALS" FOR DESCRIPTION OF LETTERED ITEMS.  
 2. ALL COMPONENTS SHOWN ARE PREWIRED AND/OR PREPARED BY ACE HEATERS. CUSTOMER NEED ONLY TO PLUMB WATER TO BE HEATED, STEAM AND CONDENSATE LINES, AND BRING ELECTRICITY TO THE CONTROL BOX.  
 3. DIMENSION 5 IS APPROXIMATE ONLY. CONSULT FACTORY FOR TIGHT DIMENSIONS.  
 4. ALL DIMENSIONS ARE IN INCHES AND SUBJECT TO CHANGE WITHOUT NOTICE.  
 \* LOCATION OF GAGES SHOWN FOR REPRESENTATION ONLY, NOT NECESSARILY ACCURATE LOCATIONS

	CERTIFIED BY _____		<b>Ace Heaters</b>		<b>ACE HEATERS</b>	
	MAXIMUM ALLOWABLE WORKING PRESSURE		SHELL <u>150</u> PSI @ <u>390</u> °F		This document contains proprietary information from Ace Heaters. Do not reproduce or distribute without prior written consent of Ace Heaters.	
	TUBES <u>150</u> PSI @ <u>390</u> °F		MIN. D.M.T. <u>0</u> °F @ <u>150</u> PSI		ASME Section VIII Div 1: Design Pressure: 150 psig Test Pressure: 195 psig Max Design Temperature: 390°F	
	S/N _____ YEAR BUILT _____		MODEL _____		A.I:	
	CAPACITY _____ GAL SA. _____ SQFT		JOB NO. _____ XXX		SCALE: N/A    Filename: PHWA-2W    SHEET 1 OF 1	
Dwg #: PHWA-2W		SO:		Checked By:		
Horizontal Packaged Storage Water Heater 2 Way Water - Pneumatic Valve Package				REV. 1		