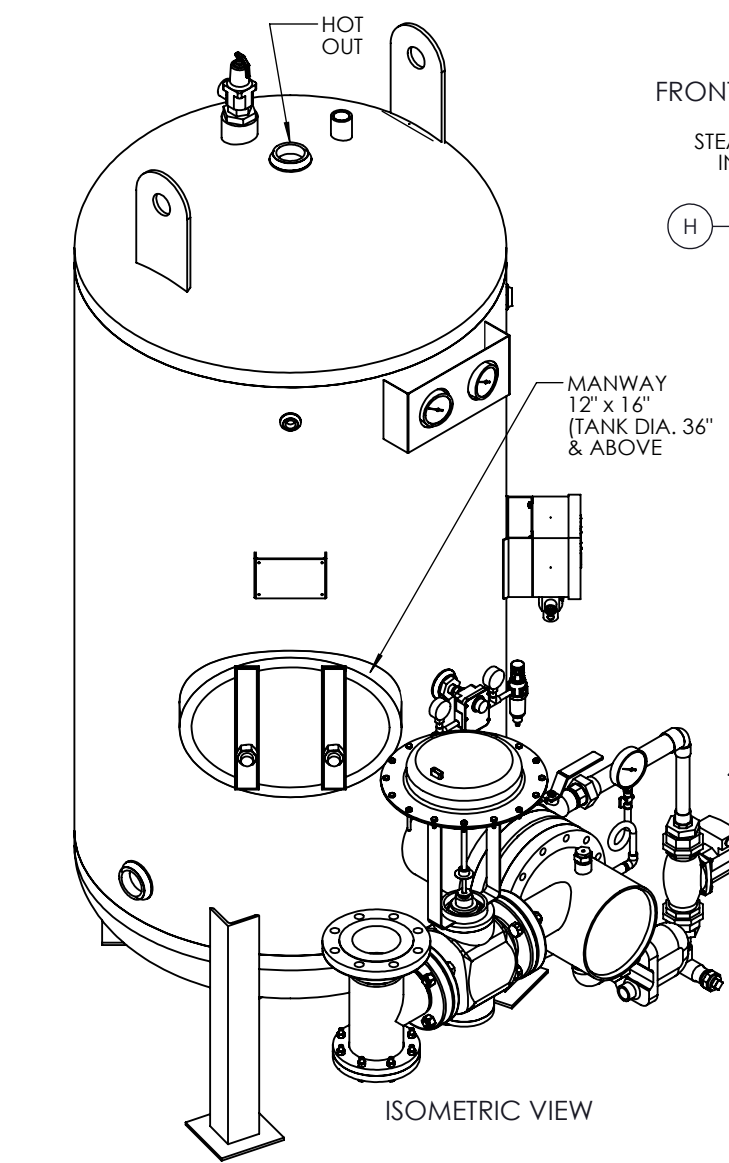
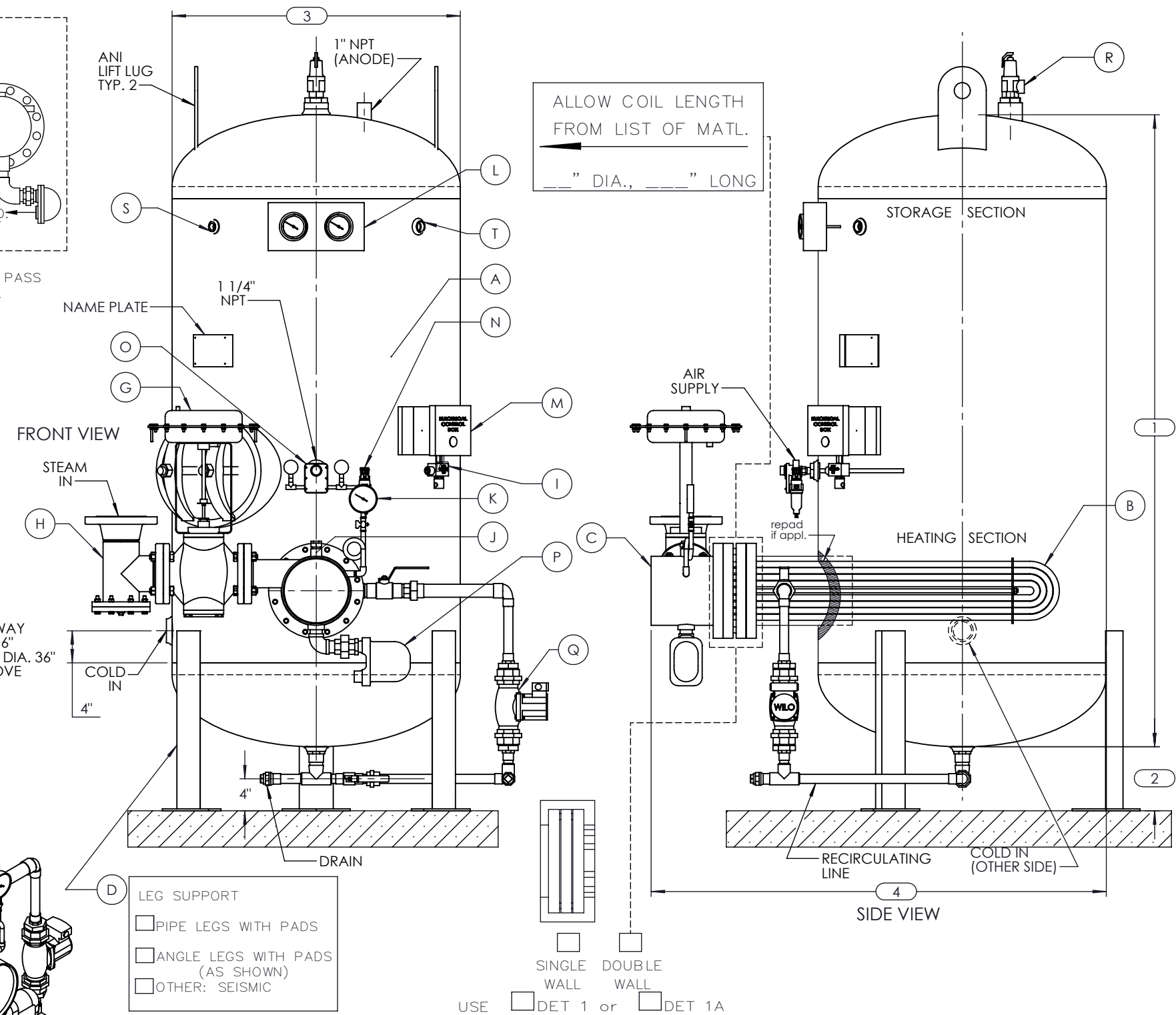


DET 1 STEAM-PNEU-2 PASS THRD. CONN.
DET 1A STEAM-PNEU-2 PASS FLG. CONN.



ISOMETRIC VIEW



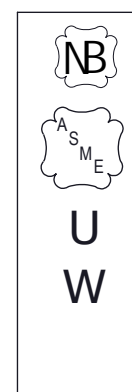
LEG SUPPORT
 PIPE LEGS WITH PADS
 ANGLE LEGS WITH PADS (AS SHOWN)
 OTHER: SEISMIC

SINGLE WALL DOUBLE WALL
 USE DET 1 or DET 1A

LINING
 GLASS
 CEMENT
 PREKRETE
 NONE
 OTHER _____

Shell Sizes	DIMENSIONS						
	1	2		3	4	Leg QUANTITY	
		Pipe Legs with Pads	Angle Legs with Pads			Pipe Legs with Pads	Angle Legs with Pads
1802	36						
1803	48						
1804	60						
1805	72						
2404	63						
2405	75						
2406	87	8 1/2	8	24	50 MAX	3	3
2407	99						
3004	66						
3005	78						
3006	90	11	8	30	58 MAX	3	3
3007	102						
3604	69						
3605	81						
3606	93	9 1/2	8	36	66 MAX	3	3
3607	105						
3608	117						
4204	72						
4205	84						
4206	96	13 1/2	8	42	72 MAX	3	3
4207	108						
4208	120						
4804	75						
4805	87						
4806	99	13	8	48	78 MAX	3	4
4807	111						
4808	123						
5405	91						
5406	103						
5407	115	11	8	54	84 MAX	3	4
5408	127						
6005	93						
6006	105						
6007	117	11	8	60	90 MAX	4	4
6008	129						
6009	141						
6605	95						
6606	107						
6607	119	12	8	66	96 MAX	4	4
6608	131						
6609	143						
7205	98						
7206	110						
7207	122	12 1/2	8	72	102 MAX	4	4
7208	134						
7209	146						

- NOTES:
- REFER TO "LIST OF MATERIALS" FOR DESCRIPTION OF LETTERED ITEMS.
 - ALL COMPONENTS SHOWN ARE PREWIRED AND/OR PREPIPED BY ACE HEATERS. CUSTOMER NEEDS ONLY TO PLUMB WATER TO BE HEATED, STEAM AND CONDENSATE LINES, AND BRING ELECTRICITY TO THE CONTROL BOX.
 - ALL DIMENSIONS ARE IN INCHES AND SUBJECT TO CHANGE WITHOUT NOTICE.



CERTIFIED BY _____
Ace Heaters

MAXIMUM ALLOWABLE WORKING PRESSURE
 SHELL 150 PSI @ 390 °F
 TUBES 150 PSI @ 390 °F

MIN. D.M.T. 0 °F @ 150 PSI
 S/N _____ YEAR BUILT _____

MODEL _____
 CAPACITY _____ GAL SA. _____ SQFT
 JOB NO. _____ XXX

ACE HEATERS

This document contains proprietary information from Ace Heaters. Do not reproduce or distribute without prior written consent of Ace Heaters.

ASME Section VIII Div 1:
 Design Pressure: 150 psig
 Test Pressure: 195 psig
 Max Design Temperature: 390°F

A.I.:

SCALE: N/A Filename: PVSA-LINS SHEET 1 OF 1

Dwg By: _____ Orig Date: _____ Rev Date: _____ Checked By: _____

VERTICAL PACKAGED STORAGE WATER HEATER
 STEAM - PNEUMATIC OPERATED PACKAGE - NO SKID - LESS INS.

Dwg #: PVSA-LINS SO: _____ REV. 1