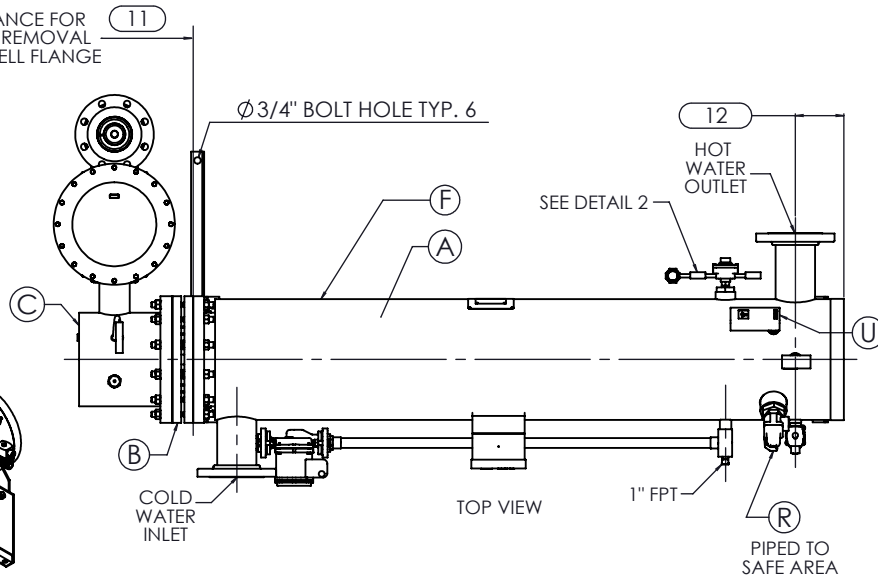
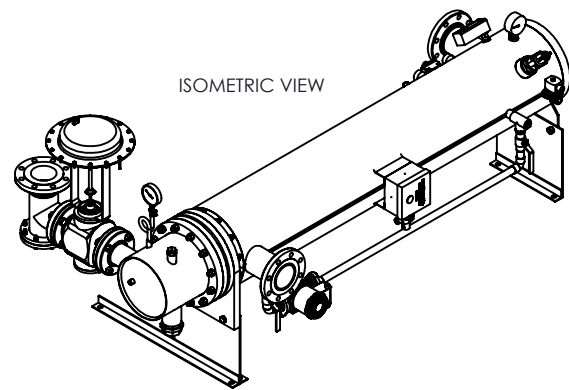
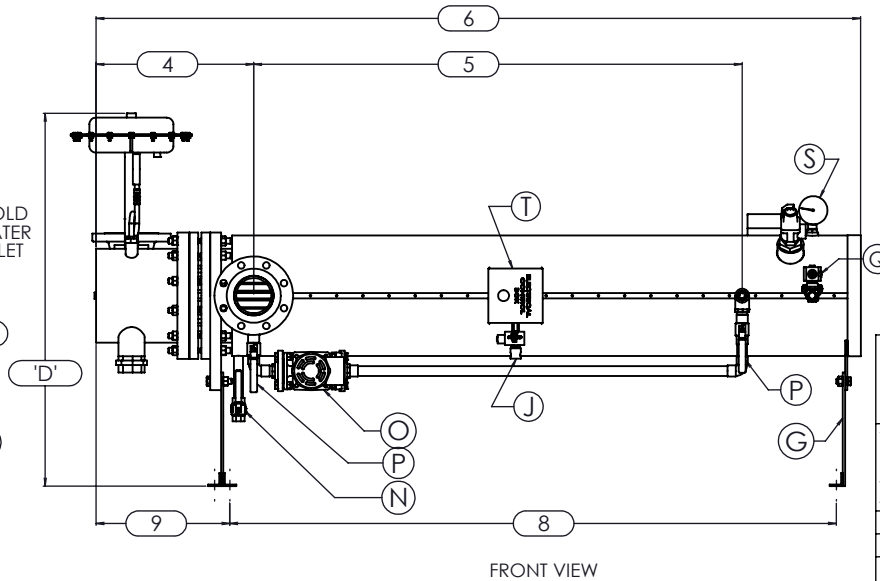
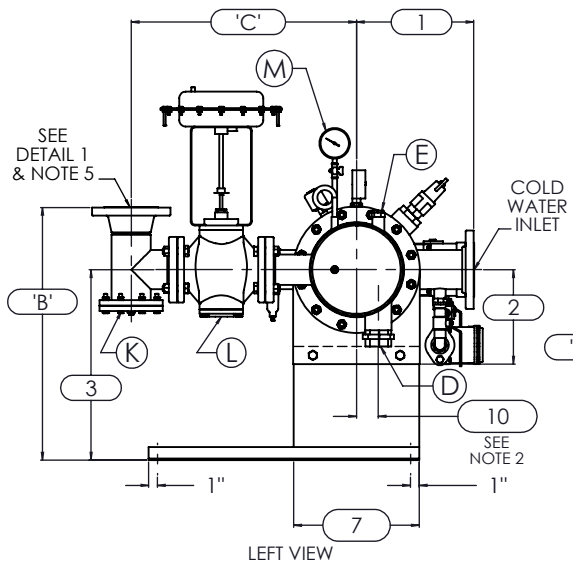
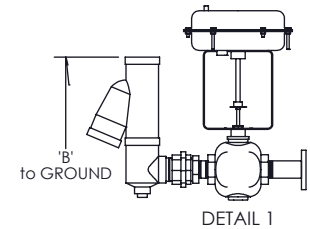


CLEARANCE FOR BUNDLE REMOVAL FROM SHELL FLANGE



- NOTES:
- REFER TO PRODUCT SPECIFICATION FOR DESCRIPTION OF LETTERED ITEMS.
  - CONDENSATE: CONDENSATE IS TO BE PIPED FROM HEATER WITHOUT LIFTS TO A VENTED RECEIVER OR DRAIN BELOW THE ELEVATION OF THE HEATER'S CONDENSATE OUTLET.
  - INSTALLATION: ALL COMPONENTS SHOWN HERE ARE PREWIRED & PREPIPED BY ACE HEATERS. CUSTOMER WILL ONLY NEED TO PLUMB WATER TO BE HEATED, PIPE STEAM AND CONDENSATE LINES, AND BRING ELECTRICITY TO UNIT.
  - DIMENSIONS ARE SUBJECT TO CHANGE. CONSULT FACTORY FOR TIGHT DIMENSIONS.
  - THIS CONFIGURATION CHANGES FOR VALVE SIZE 1/2" TO 2". SEE DETAIL 1 FOR REFERENCE. APPROX. EMPTY WT:

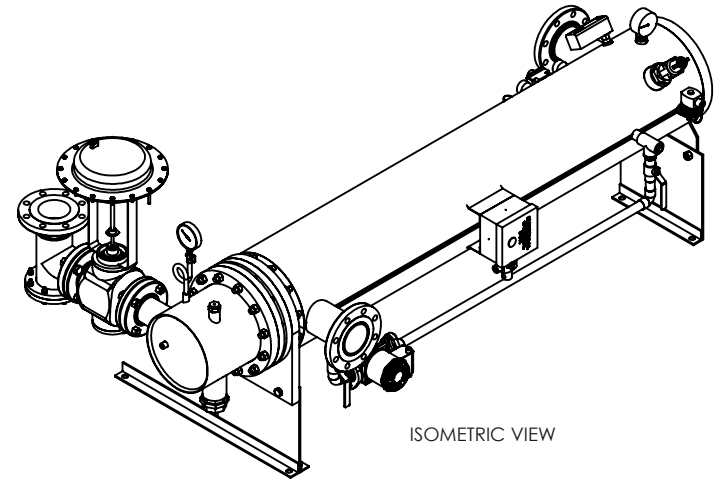


	CERTIFIED BY <b>Ace Heaters, LLC</b> www.aceheaters.com
	MAXIMUM ALLOWABLE WORKING PRESSURE SHELL <u>150</u> PSI @ <u>210</u> °F TUBES <u>150</u> PSI @ <u>370</u> °F MIN. D.M.T. <u>0</u> °F @ <u>150</u> PSI S/N _____ YEAR BUILT _____
	MODEL _____ CAPACITY _____ GAL SA. _____ JOB NO. _____ XXX

<b>Ace Heaters, LLC</b> www.aceheaters.com		
This document contains proprietary information from AHS, LLC. Do not reproduce or distribute without prior written consent of AHS, LLC.	ASME Section VIII Div 1: 2015 Ed. Design Pressure: 150 psig Test Pressure: 195 psig Max Design Temperature: 370°F	A.I.
SCALE: NA	Filename: SIHDW - COVER	SHEET 1 OF 2
Dwg By: JL	Orig Date: 12/30/15	Rev Date: _____ Checked By: _____
<b>MINIPACK SYSTEM - HORIZONTAL - DW</b> STEAM - PNEUMATIC OPERATED VALVE PACKAGE		
Dwg #: SIHDWSA	SO: _____	REV 01

## SIHDWSA, DW - STEAM - PNEUMATIC VALVE PACKAGE

		MP SIZE	5	6	8	10	12	14	16
DIMENSION	ITEMS	1	10	10 1/2	11 1/2	13 1/2	14 1/2	15 1/2	16 1/2
		2	7 11/16	8 3/16	10 1/8	10 13/16	12 1/2	12 1/4	14
		3	14 7/8	15 3/8	18 5/16	22	26 7/8	26 5/8	28 3/8
		4	13 7/8	14 3/8	15 7/8	17 5/8	23 9/16	24 13/16	28 9/16
		5	55	54 1/2	55 1/4	56	54 1/2	63	66 3/4
		6	80 3/16	81 5/16	83 9/16	87 1/8	94 7/16	104 1/16	110 15/16
		7	8 3/4	9 7/8	11 7/8	14 1/2	16 5/8	18 1/2	20
		8	65 7/8	66 7/8	68	69 1/2	70 11/16	80 5/16	83 7/16
		9	11 3/4	11 3/4	12 5/8	14 7/8	20 3/16	21 3/16	23 15/16
		10	1 3/8	1 1/2	2 1/16	2 1/2	3 1/16	3 1/8	3 1/4
		11	64	64	64	64	64	75	80
		12	4 13/16	4 13/16	5 15/16	5 11/16	8 1/8	7 1/4	7 3/8
INLET PIPE SIZE		2 1/2 FLG.	2 1/2 FLG.	3 FLG.	4 FLG.	4 FLG.	5 FLG.	6 FLG.	
OUTLET PIPE SIZE		2 1/2 FLG.	2 1/2 FLG.	3 FLG.	4 FLG.	4 FLG.	5 FLG.	6 FLG.	
VALVE SIZE AND OVERALL LOCATION									
VALVE SIZE	ITEM								
		3/4							
1/2"	A								
	B	25 3/8	25 7/8	28 13/16	32 1/2	37 3/8	37 1/8	38 7/8	
	C	20 5/16	20 9/16	21 9/16	24 1/16	25 9/16	27 9/16	29 9/16	
	D	30 11/16	31 3/16	34 1/8	37 13/16	42 11/16	42 7/16	44 3/16	
3/4"	A								
	B	25 7/16	25 15/16	28 7/8	32 9/16	37 7/16	37 3/16	38 15/16	
	C	21 5/16	21 9/16	22 9/16	25 1/16	26 9/16	28 9/16	30 9/16	
	D	30 11/16	31 3/16	34 1/8	37 13/16	42 11/16	42 7/16	44 3/16	
1"	A								
	B	24 3/4	25 1/4	28 3/16	31 7/8	36 3/4	36 1/2	38 1/4	
	C	22 1/8	22 3/8	23 3/8	25 7/8	27 3/8	29 3/8	31 3/8	
	D	30 11/16	31 3/16	34 1/8	37 13/16	42 11/16	42 7/16	44 3/16	
1 1/4"	A								
	B	25 13/16	26 5/16	29 1/4	32 15/16	37 13/16	37 9/16	39 5/16	
	C	21 7/16	21 11/16	22 11/16	25 3/16	26 11/16	28 11/16	30 11/16	
	D	30 11/16	31 3/16	34 1/8	37 13/16	42 11/16	42 7/16	44 3/16	
1 1/2"	A								
	B	25 13/16	26 5/16	29 1/4	32 15/16	37 13/16	37 9/16	39 5/16	
	C	22 1/16	22 5/16	23 5/16	25 13/16	27 5/16	29 5/16	31 5/16	
	D	31 7/16	31 15/16	34 7/8	38 9/16	43 7/16	43 3/16	44 15/16	
2"	A								
	B	26 1/4	26 3/4	29 11/16	33 3/8	38 1/4	38	39 3/4	
	C	24 1/4	24 1/2	25 1/2	28	29 1/2	31 1/2	33 1/2	
	D	33 1/8	33 5/8	36 9/16	40 1/4	45 1/8	44 7/8	46 5/8	
2 1/2"	A								
	B	19 1/2	20	22 15/16	26 5/8	31 1/2	31 1/4	33	
	C	20 1/4	20 1/2	21 1/2	24	25 1/2	27 1/2	29 1/2	
	D	33 7/8	34 3/8	37 5/16	41	45 7/8	45 5/8	47 3/8	
3"	A								
	B	N/A		22 9/16	25 1/2	29 3/16	34 1/16	33 13/16	35 9/16
	C	N/A		22 5/16	23 5/16	25 13/16	27 5/16	29 5/16	31 5/16
	D	N/A		36 1/4	39 3/16	42 7/8	47 3/4	47 1/2	49 1/4
4"	A								
	B	N/A		27 1/2	31 3/16	36 1/16	35 13/16	37 9/16	
	C	N/A		27 3/16	29 11/16	31 3/16	33 3/16	35 3/16	
	D	N/A		41 3/16	44 7/8	49 3/4	49 1/2	51 1/4	
5"	A								
	B	N/A		31 3/16	36 1/16	35 13/16	37 9/16		
	C	N/A		33 5/16	34 13/16	36 13/16	38 13/16		
	D	N/A		44 7/8	49 3/4	49 1/2	51 1/4		



ISOMETRIC VIEW

**NOTES:**

- 1/ DIMENSIONS IN INCHES, AND SUBJECT TO CHANGE WITHOUT NOTICE.
- 2/ DIM 'B', 'C', 'D' ARE TO BE APPROXIMATED ONLY, CONSULT FACTORY FOR TIGHT DIMENSIONS.

<b>Ace Heaters, LLC</b> www.aceheaters.com		
This document contains proprietary information from AHS, LLC. Do not reproduce or distribute without prior written consent of AHS, LLC.	ASME Section VIII Div 1: 2015 Ed. Design Pressure: 150 psig Test Pressure: 195 psig Max Design Temperature: 370°F	<b>A.I.:</b>
SCALE: NA   Filename: SIHDW - COVER	SHEET 2 OF 2	
Dwg By: JL   Orig Date: 12/30/15   Rev Date:	Checked By:	
<b>MINIPACK SYSTEM - HORIZONTAL - DW</b> STEAM - PNEUMATIC OPERATED VALVE PACKAGE		
Dwg #: SIHDWSA-DIM	SO:	REV 01