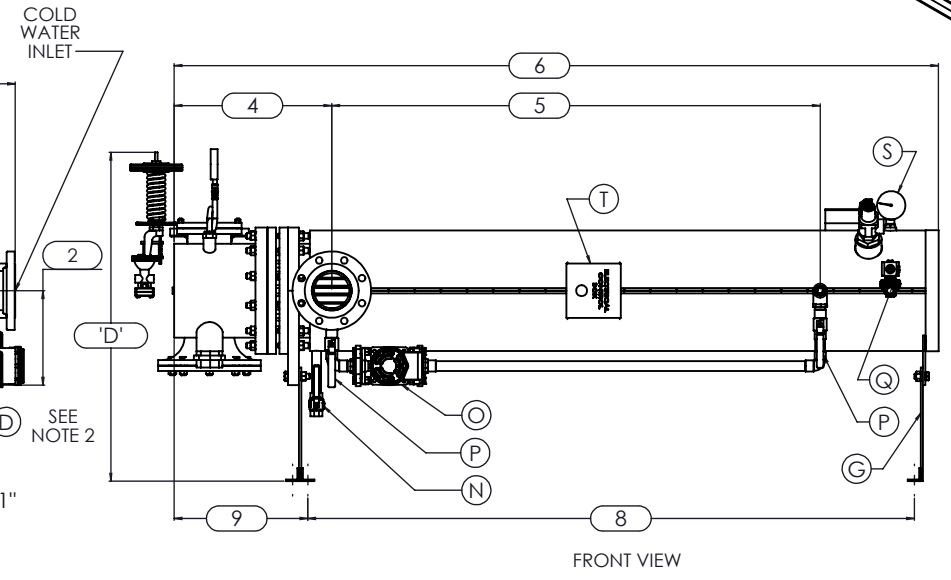
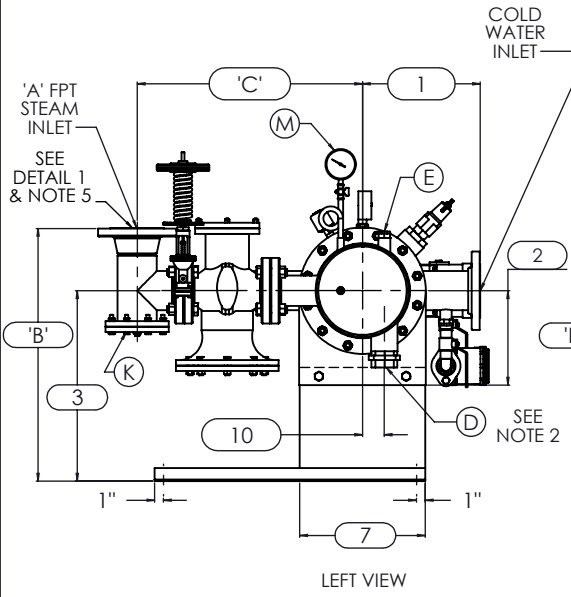
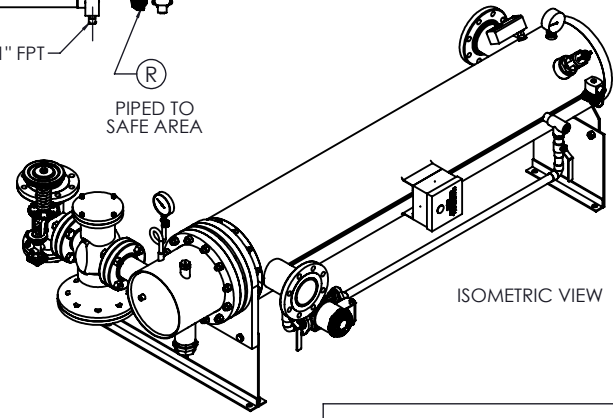
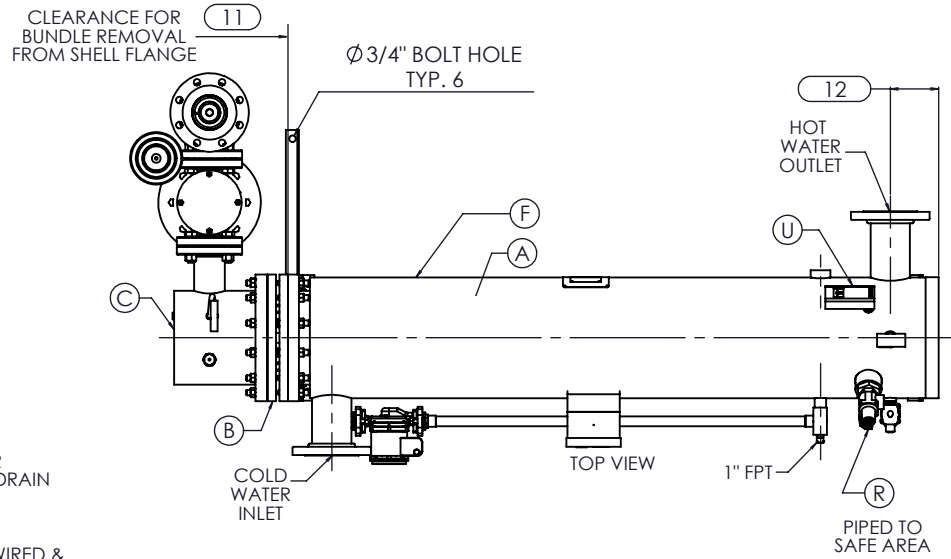


- NOTES:
- REFER TO PRODUCT SPECIFICATION FOR DESCRIPTION OF LETTERED ITEMS.
 - CONDENSATE: CONDENSATE IS TO BE PIPED FROM HEATER WITHOUT LIFTS TO A VENTED RECEIVER OR DRAIN BELOW THE ELEVATION OF THE HEATER'S CONDENSATE OUTLET.
 - INSTALLATION: ALL COMPONENTS SHOWN HERE ARE PREWIRED & PREPIPED BY ACE HEATERS. CUSTOMER WILL ONLY NEED TO PLUMB WATER TO BE HEATED, PIPE STEAM AND CONDENSATE LINES, AND BRING ELECTRICITY TO UNIT.
 - DIMENSIONS ARE SUBJECT TO CHANGE. CONSULT FACTORY FOR TIGHT DIMENSIONS.
 - THIS CONFIGURATION CHANGES FOR VALVE SIZE 1/2" TO 2". SEE DETAIL 1 FOR REFERENCE. APPROX. EMPTY WT:

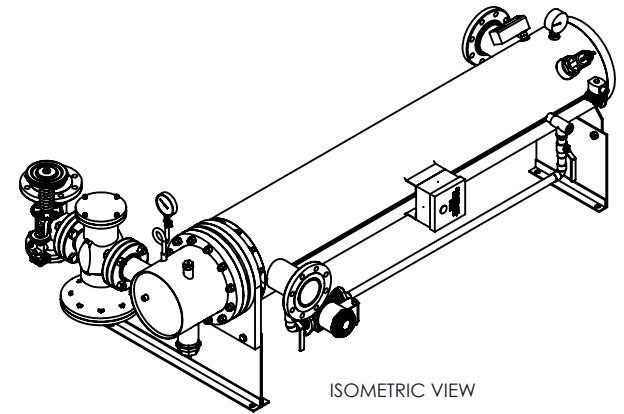


	CERTIFIED BY
	Ace Heaters, LLC www.aceheaters.com
	MAXIMUM ALLOWABLE WORKING PRESSURE SHELL <u>150</u> PSI @ <u>210</u> °F TUBES <u>150</u> PSI @ <u>370</u> °F MIN. D.M.T. <u>0</u> °F @ <u>150</u> PSI S/N _____ YEAR BUILT _____
	MODEL _____ CAPACITY _____ GAL SA. _____ JOB NO. _____ XXX

Ace Heaters, LLC
www.aceheaters.com

This document contains proprietary information from AHS, LLC. Do not reproduce or distribute without prior written consent of AHS, LLC.	ASME Section VIII Div 1: 2015 Ed. Design Pressure: 150 psig Test Pressure: 195 psig Max Design Temperature: 370°F	A.I:
SCALE: NA	Filename: SIHDW - COVER	SHEET 1 OF 2
Dwg By: JL	Orig Date: 12/30/15	Rev Date: _____
MINIPACK SYSTEM - HORIZONTAL - DW		
STEAM - PILOT OPERATED VALVE PACKAGE		
Dwg #: SIHDWSP-DIM	SO:	REV 01

SIHDWSP, DW - STEAM - PILOT VALVE PACKAGE									
		MP SIZE	5	6	8	10	12	14	16
ITEMS	1	10	10 1/2	11 1/2	13 1/2	14 1/2	15 1/2	16 1/2	
	2	7 11/16	8 3/16	10 1/8	10 13/16	12 1/2	12 1/4	14	
	3	14 7/8	15 3/8	18 5/16	22	26 7/8	26 5/8	28 3/8	
	4	13 7/8	14 3/8	15 7/8	17 5/8	23 9/16	24 13/16	28 9/16	
	5	55	54 1/2	55 1/4	56	54 1/2	63	66 3/4	
	6	80 3/16	81 5/16	83 9/16	87 1/8	94 7/16	104 1/16	110 15/16	
	7	8 3/4	9 7/8	11 7/8	14 1/2	16 5/8	18 1/2	20	
	8	65 7/8	66 7/8	68	69 1/2	70 11/16	80 5/16	83 7/16	
	9	11 3/4	11 3/4	12 5/8	14 7/8	20 3/16	21 3/16	23 15/16	
	10	1 3/8	1 1/2	2 1/16	2 1/2	3 1/16	3 1/8	3 1/4	
	11	64	64	64	64	64	75	80	
	12	4 13/16	4 13/16	5 15/16	5 11/16	8 1/8	7 1/4	7 3/8	
INLET PIPE SIZE		2 1/2 FLG.	2 1/2 FLG.	3 FLG.	4 FLG.	4 FLG.	5 FLG.	6 FLG.	
OUTLET PIPE SIZE		2 1/2 FLG.	2 1/2 FLG.	3 FLG.	4 FLG.	4 FLG.	5 FLG.	6 FLG.	
VALVE SIZE AND OVERALL LOCATION									
VALVE SIZE	ITEM								
1/2"	'A'	3/4							
	'B'	25 3/8	25 7/8	28 13/16	32 1/2	37 3/8	37 1/8	38 7/8	
	'C'	18 3/8	18 5/8	19 5/8	22 1/8	23 5/8	25 5/8	27 5/8	
	'D'	25 7/16	25 15/16	28 7/8	32 9/16	37 7/16	37 3/16	38 15/16	
3/4"	'A'	1							
	'B'	25 7/16	25 15/16	28 7/8	32 9/16	37 7/16	37 3/16	38 15/16	
	'C'	19 5/8	19 7/8	20 7/8	23 3/8	24 7/8	26 7/8	28 7/8	
	'D'	25 7/16	25 15/16	28 7/8	32 9/16	37 7/16	37 3/16	38 15/16	
1"	'A'	1 1/4							
	'B'	24 3/4	25 1/4	28 3/16	31 7/8	36 3/4	36 1/2	38 1/4	
	'C'	20 13/16	21 1/16	22 1/16	24 9/16	26 1/16	28 1/16	30 1/16	
	'D'	26 3/16	26 11/16	29 5/8	33 5/16	38 3/16	37 15/16	39 11/16	
1 1/4"	'A'	1 1/2							
	'B'	25 13/16	26 5/16	29 1/4	32 15/16	37 13/16	37 9/16	39 5/16	
	'C'	21 7/16	21 11/16	22 11/16	25 3/16	26 11/16	28 11/16	30 11/16	
	'D'	26 11/16	27 3/16	30 1/8	33 13/16	38 11/16	38 7/16	40 3/16	
1 1/2"	'A'	2							
	'B'	25 13/16	26 5/16	29 1/4	32 15/16	37 13/16	37 9/16	39 5/16	
	'C'	23 3/16	23 7/16	24 7/16	26 15/16	28 7/16	30 7/16	32 7/16	
	'D'	26 15/16	27 7/16	30 3/8	34 1/16	38 15/16	38 11/16	40 7/16	
2"	'A'	2 1/2							
	'B'	26 1/4	26 3/4	29 11/16	33 3/8	38 1/4	38	39 3/4	
	'C'	30 9/16	30 13/16	31 13/16	34 5/16	35 13/16	37 13/16	39 13/16	
	'D'	30 1/4	30 3/4	33 11/16	37 3/8	42 1/4	42	43 3/4	
2 1/2"	'A'	3							
	'B'	19 1/2	20	22 15/16	26 5/8	31 1/2	31 1/4	33	
	'C'	20 5/8	20 7/8	21 7/8	24 3/8	25 7/8	27 7/8	29 7/8	
	'D'	27 9/16	28 1/16	31	34 11/16	39 9/16	39 5/16	41 1/16	
3"	'A'	4							
	'B'	N/A	22 9/16	25 1/2	29 3/16	34 1/16	33 13/16	35 9/16	
	'C'	N/A	22 5/16	23 5/16	25 13/16	27 5/16	29 5/16	31 5/16	
	'D'	N/A	31 1/4	34 3/16	37 7/8	42 3/4	42 1/2	44 1/4	
4"	'A'	6							
	'B'	N/A	N/A	27 1/2	31 3/16	36 1/16	35 13/16	37 9/16	
	'C'	N/A	N/A	27 9/16	30 1/16	31 9/16	33 9/16	35 9/16	
	'D'	N/A	N/A	33 11/16	37 3/8	42 1/4	42	43 3/4	
5"	'A'	6							
	'B'	N/A	N/A	N/A	31 3/16	36 1/16	35 13/16	37 9/16	
	'C'	N/A	N/A	N/A	33 5/16	34 13/16	36 13/16	38 13/16	
	'D'	N/A	N/A	N/A	37 7/8	42 3/4	42 1/2	44 1/4	



NOTES:

- 1/ DIMENSIONS IN INCHES, AND SUBJECT TO CHANGE WITHOUT NOTICE.
- 2/ DIM 'B', 'C', 'D' ARE TO BE APPROXIMATED ONLY, CONSULT FACTORY FOR TIGHT DIMENSIONS.

Ace Heaters, LLC www.aceheaters.com		
This document contains proprietary information from AHS, LLC. Do not reproduce or distribute without prior written consent of AHS, LLC.	ASME Section VIII Div 1: 2015 Ed. Design Pressure: 150 psig Test Pressure: 195 psig Max Design Temperature: 370°F	A.I:
SCALE: NA	Filename: SIHDW - COVER	SHEET 2 OF 2
Dwg By: JL	Orig Date: 11/2/30/15	Rev Date: _____ Checked By: _____
MINIPACK SYSTEM - HORIZONTAL - DW STEAM - PILOT OPERATED VALVE PACKAGE		
Dwg #: SIHDWSP	\$0:	REV 01