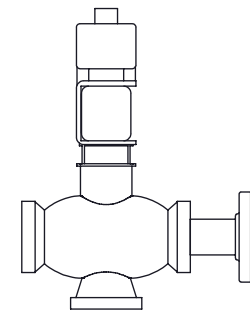


NOTES:

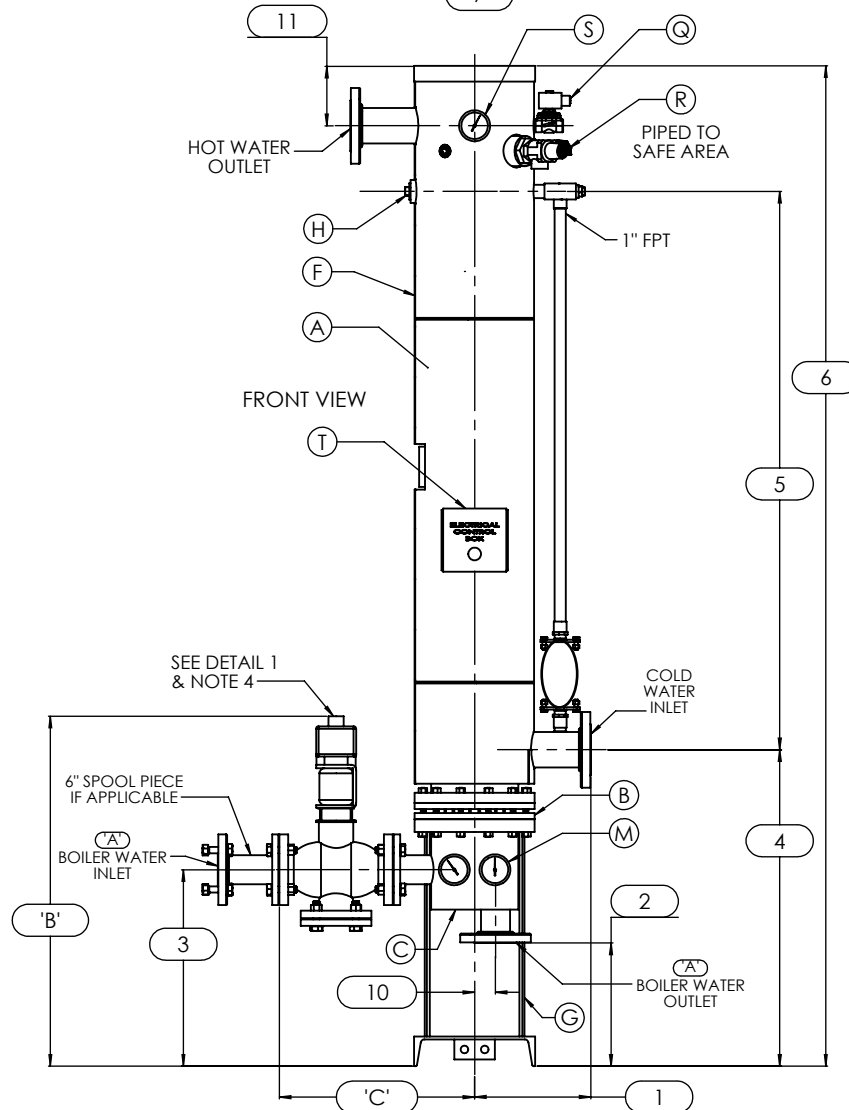
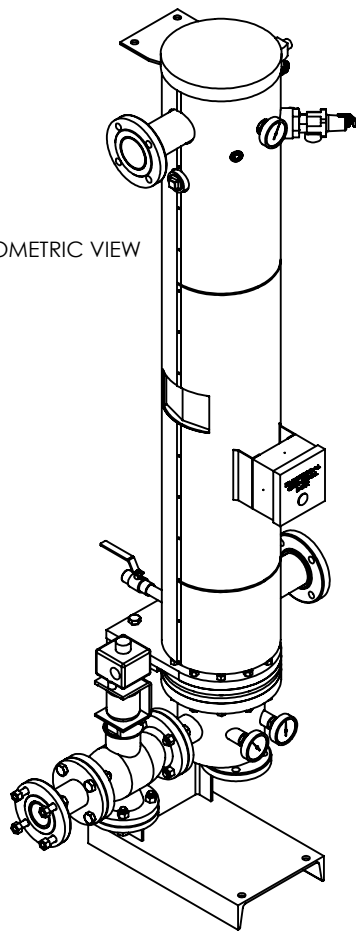
1. REFER TO PRODUCT SPECIFICATION FOR DESCRIPTION OF LETTERED ITEMS.
2. INSTALLATION:
ALL COMPONENTS SHOWN HERE ARE PREWIRED & PREPIPED BY ACE HEATERS. CUSTOMER WILL ONLY NEED TO PLUMB WATER TO BE HEATED, PLUMB BOILER WATER, HOOKUP AIR TO AIR FILTER-PRESSURE REGULATOR, AND BRING ELECTRICITY TO UNIT.
3. DIMENSIONS ARE SUBJECT TO CHANGE. CONSULT FACTORY FOR TIGHT DIMENSIONS.
4. THIS CONFIGURATION CHANGES FOR VALVE SIZE 1/2' TO 2'. SEE DETAIL 2 FOR REFERENCE.
5. ADD 6" SPOILER TO CAP INLET IF APPL.

APPROX. EMPTY WT:



DETAIL 1

ISOMETRIC VIEW



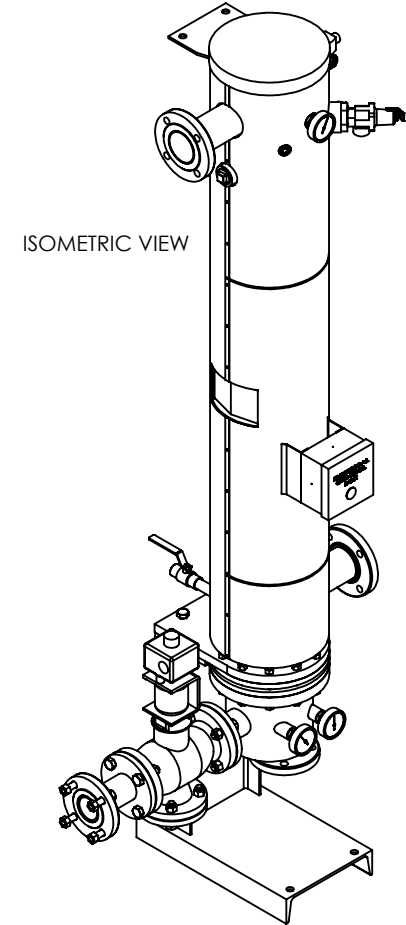
	CERTIFIED BY <i>Ace Heaters, LLC</i> www.aceheaters.com
	MAXIMUM ALLOWABLE WORKING PRESSURE SHELL <u>150</u> PSI @ <u>210</u> °F TUBES <u>150</u> PSI @ <u>370</u> °F
	MIN. D.M.T. <u>0</u> °F @ <u>150</u> PSI S/N _____ YEAR BUILT _____
	MODEL _____ CAPACITY _____ GAL SA. _____
	JOB NO. _____ XXX

Ace Heaters, LLC www.aceheaters.com		
This document contains proprietary information from AHS, LLC. Do not reproduce or distribute without prior written consent of AHS, LLC.	ASME Section VIII Div 1: 2015 Ed. Design Pressure: 150 psig Test Pressure: 195 psig Max Design Temperature: 370°F	A.I.:
SCALE: NA	Filename: SIVDW	SHEET 1 OF 1
Dwg By: JL	Orig Date: 12/17/15	Rev Date: _____ Checked By: _____
MINIPACK SYSTEM - VERICAL DW Water 2w - Siemens Electric Valve Package		
Dwg #: SIVDWWE-2W-SIE	SO: _____	REV 1

SIVDWWE-2W-SIE, WATER - SIEMENS ELECTRIC OPERATED VALVE PACKAGE SIZE AND LOCATION

		MP SIZE	5	6	8	10	12	14	16
ITEMS D I M E S I O N S	1	10	10 1/2	11 1/2	13 1/2	14 1/2	15 1/2	16 1/2	
	2	10 3/16	12 11/16	12 3/16	16 5/8	18 1/2	16 15/16	17 7/16	
	3	16 15/16	19 5/16	19 7/16	23 3/4	22 1/2	23 15/16	24 7/16	
	4	27 9/16	30 9/16	31 5/16	35 5/8	39 3/8	41 5/8	43 7/8	
	5	55	54 1/2	55 1/4	56	54 1/2	63	66 3/4	
	6	93 7/8	97 3/8	98 5/8	105 1/4	110	121	127	
	7	12	12	12	18	18	18	18	
	8	11 1/16	10 3/8	9 1/4	13 11/16	12	15 1/4	13 1/2	
	9	9 15/16	10 5/8	11 3/4	13 5/16	15	14 3/4	16 1/2	
	10	1 3/8	1 1/2	2 1/16	2 1/2	3 1/16	3 1/8	3 1/4	
	11	4 13/16	4 13/16	5 9/16	7 15/16	7 15/16	7 1/16	7 3/16	
INLET PIPE SIZE		2 1/2 FLG.	2 1/2 FLG.	3 FLG.	4 FLG.	4 FLG.	5 FLG.	6 FLG.	
OUTLET PIPE SIZE		2 1/2 FLG.	2 1/2 FLG.	3 FLG.	4 FLG.	4 FLG.	5 FLG.	6 FLG.	

'A' VALVE SIZE	ITEM	VALVE SIZE AND OVERALL LOCATION							
1/2"	'B'	26 3/8	28 3/4	28 7/8	33 3/16	31 15/16	33 3/8	33 7/8	
	'C'	12 1/16	12 5/16	13 5/16	15 13/16	17 5/16	19 5/16	21 5/16	
3/4"	'B'	27 3/16	29 9/16	29 11/16	34	32 3/4	34 3/16	34 11/16	
	'C'	12 11/16	12 15/16	13 15/16	16 7/16	17 15/16	19 15/16	21 15/16	
1"	'B'	27 9/16	29 15/16	30 1/16	34 3/8	33 1/8	34 9/16	35 1/16	
	'C'	13 1/4	13 1/2	14 1/2	17	18 1/2	20 1/2	22 1/2	
1 1/4"	'B'	28 3/16	30 9/16	30 11/16	35	33 3/4	35 3/16	35 11/16	
	'C'	13 7/8	14 1/8	15 1/8	17 5/8	19 1/8	21 1/8	23 1/8	
1 1/2"	'B'	29 9/16	31 15/16	32 1/16	36 3/8	35 1/8	36 9/16	37 1/16	
	'C'	14 7/16	14 11/16	15 11/16	18 3/16	19 11/16	21 11/16	23 11/16	
2"	'B'	30 5/16	32 11/16	32 13/16	37 1/8	35 7/8	37 5/16	37 13/16	
	'C'	15 5/8	15 7/8	16 7/8	19 3/8	20 7/8	22 7/8	24 7/8	
2 1/2"	'B'	32 1/8	34 1/2	34 5/8	38 15/16	37 11/16	39 1/8	39 5/8	
	'C'	18 3/16	18 7/16	19 7/16	21 15/16	23 7/16	25 7/16	27 7/16	
3"	'B'	N/A	39 9/16	39 11/16	44	42 3/4	44 3/16	44 11/16	
	'C'		19 1/4	20 1/4	22 3/4	24 1/4	26 1/4	28 1/4	
4"	'B'	N/A	N/A	42 1/4	46 9/16	45 5/16	46 3/4	47 1/4	
	'C'			21 3/4	24 1/4	25 3/4	27 3/4	29 3/4	
5"	'B'	N/A	N/A	46 9/16	45 5/16	46 3/4	47 1/4		
	'C'			24 1/2	26	28	30		



NOTES:

- 1/ DIMENSIONS IN INCHES, AND SUBJECT TO CHANGE WITHOUT NOTICE.
- 2/ DIM 'B', 'C' ARE TO BE APPROXIMATED ONLY, CONSULT FACTORY FOR TIGHT DIMENSIONS.

Ace Heaters, LLC www.aceheaters.com		
This document contains proprietary information from AHS, LLC. Do not reproduce or distribute without prior written consent of AHS, LLC.	ASME Section VIII Div 1: 2015 Ed. Design Pressure: 150 psig Test Pressure: 195 psig Max Design Temperature: 370°F	A.I:
SCALE: NA	Filename: SIVDW - COVER	SHEET 1 OF 1
Dwg By: JL	Orig Date: 12/17/15	Rev Date: Checked By:
MINIPACK SYSTEM - VERTICAL DW Water 2W - Siemens Electric Operated Valve Package		
Dwg #: SIVDWWE-2W-SIE- DIM	SO:	REV 1