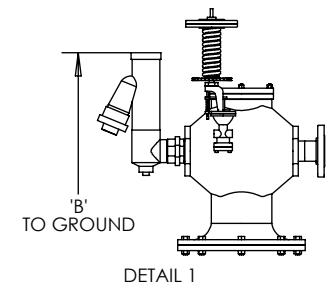


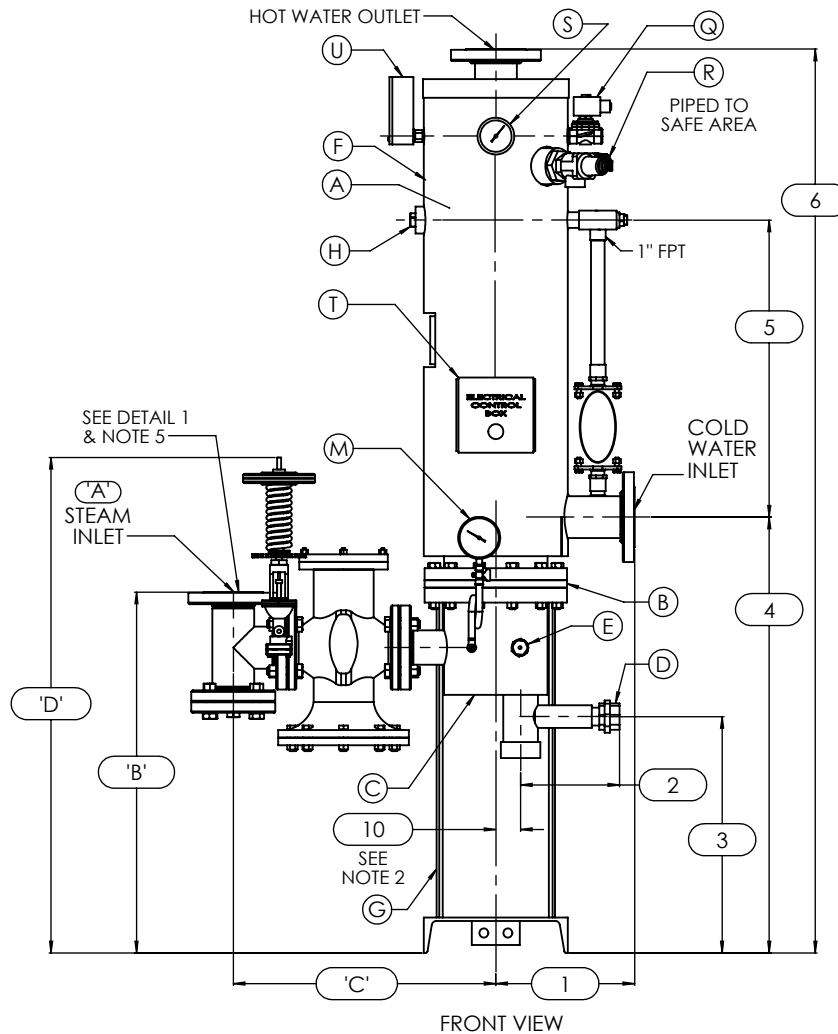
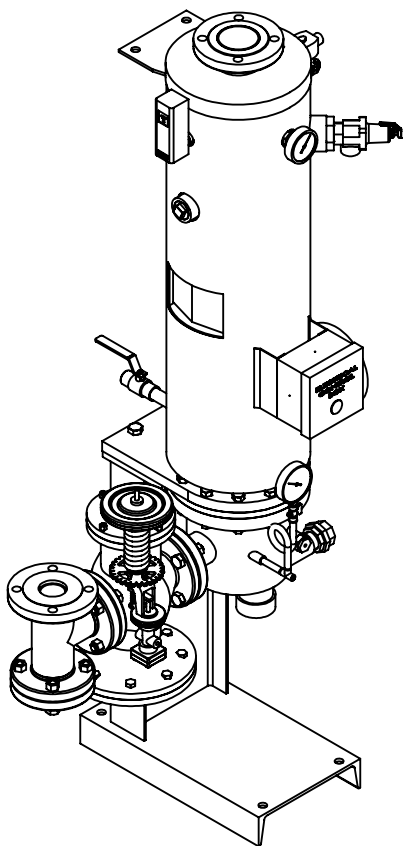
NOTES:

1. REFER TO PRODUCT SPECIFICATION FOR DESCRIPTION OF LETTERED ITEMS.
2. CONDENSATE: CONDENSATE IS TO BE PIPED FROM HEATER WITHOUT LIFTS TO A VENTED RECEIVER OR DRAIN BELOW THE ELEVATION OF THE HEATER'S CONDENSATE OUTLET.
3. INSTALLATION: ALL COMPONENTS SHOWN HERE ARE PREWIRED & PREPIPED BY ACE HEATERS. CUSTOMER WILL ONLY NEED TO PLUMB WATER TO BE HEATED, PIPE STEAM AND CONDENSATE LINES, AND BRING ELECTRICITY TO UNIT.
4. DIMENSIONS ARE SUBJECT TO CHANGE. CONSULT FACTORY FOR TIGHT DIMENSIONS.
5. THIS CONFIGURATION CHANGES FOR VALVE SIZE 1/2" TO 2". SEE DETAIL 1 FOR REFERENCE.

APPROX. EMPTY WT:



ISOMETRIC VIEW

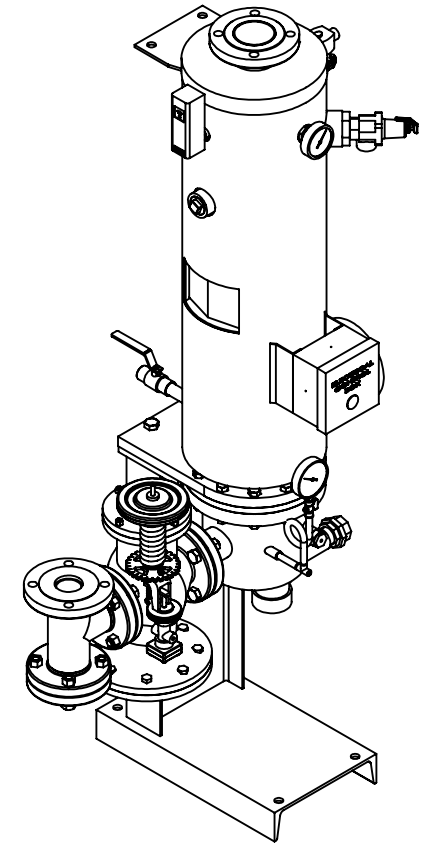


	CERTIFIED BY	
	<i>Ace Heaters, LLC</i> www.aceheaters.com	
	MAXIMUM ALLOWABLE WORKING PRESSURE	
	SHELL	150 PSI @ 210 °F
	TUBES	150 PSI @ 370 °F
MIN. D.M.T. 0 °F @ 150 PSI		
S/N _____ YEAR BUILT _____		
MODEL _____		
CAPACITY _____ GAL SA. _____		
JOB NO. _____		

Ace Heaters, LLC www.aceheaters.com		
This document contains proprietary information from AHS, LLC. Do not reproduce or distribute without prior written consent of AHS, LLC.	ASME Section VIII Div 1: 2015 Ed. Design Pressure: 150 psig Test Pressure: 195 psig Max Design Temperature: 370°F	A.I:
SCALE: NA	Filename: SIVSW	SHEET 1 OF 1
Dwg By: JL	Orig Date: 12/17/15	Rev Date: _____ Checked By: _____
MINIPACK SYSTEM - VERICAL SW Steam - Pilot Operated Valve Package		
Dwg #: SIVSWSP	SO: _____	REV 1

SIVSWSP, STEAM - PILOT OPERATED VALVE PACKAGE SIZE AND LOCATION

ISOMETRIC VIEW



MP SIZE	4	5	6	8	8L	10	10L	12	12L	14	14L	16	16L
ITEMS	1	11 1/2	12	11 9/16	11 9/16	13 7/16	13 7/16	14 7/16	14 7/16	15 3/4	15 3/4	17 5/8	17 5/8
DIMENSIONS	2	1 5/16	4	4 1/4	5 15/16	5 15/16	5 1/2	5 1/2	6 5/8	6 5/8	7 13/16	7 13/16	8 15/16
	3	25 3/8	19 1/8	26 5/8	19 11/16	19 11/16	20 1/8	20 1/8	16 1/8	16 1/8	21 3/8	21 3/8	30 1/8
	4	39 13/16	33 9/16	41 13/16	36 5/16	43 5/16	30 5/8	44 15/16	41 5/8	53 5/8	48 5/8	63 7/8	60 5/8
	5	30	30 1/4	30 1/4	24 3/4	30 3/4	25	31 11/16	24 1/2	36 1/2	30 1/2	45 3/4	40 1/2
	6	82 15/16	69 11/16	85 13/16	75 5/16	88 5/16	79 1/4	92 1/4	83 1/4	107 1/4	98 1/4	128 1/2	121 3/4
	7	12	12	12	12	12	18	18	18	18	18	18	18
	8	12 3/16	11 1/16	10 3/8	9 1/4	9 1/4	13 11/16	13 11/16	12	12	15 1/4	15 1/4	13 1/2
	9	8 13/16	9 15/16	10 5/8	11 3/4	11 3/4	13 5/16	13 5/16	15	15	14 3/4	14 3/4	16 1/2
	10	1	1	1	2 1/16	2 1/16	2 1/2	2 1/2	3 1/16	3 1/16	3 1/8	3 1/8	3 1/4
	INLET PIPE SIZE	2 THR.	2 1/2 FLG.	2 1/2 FLG.	3 FLG.	3 FLG.	4 FLG.	4 FLG.	4 FLG.	4 FLG.	5 FLG.	5 FLG.	6 FLG.
OUTLET PIPE SIZE	2 THR.	2 1/2 FLG.	2 1/2 FLG.	3 FLG.	3 FLG.	4 FLG.	4 FLG.	4 FLG.	4 FLG.	5 FLG.	5 FLG.	6 FLG.	

VALVE SIZE AND OVERALL LOCATION

VALVE SIZE	ITEM													
1/2"	'A'													
	'B'	3/4												
	'C'	40 11/16	34 7/16	42 3/16	35 15/16	42 15/16	36 3/4	43 3/4	36 5/8	48 5/8	43 1/4	58 1/4	53 5/8	67 5/8
	'D'	17 7/8	18 3/8	18 5/8	19 5/8	19 5/8	22 1/8	22 1/8	23 5/8	23 5/8	25 5/8	25 5/8	27 5/8	27 5/8
3/4"	'A'	1												
	'B'	40 3/4	34 1/2	42 1/4	36	43	36 13/16	43 13/16	36 11/16	48 11/16	43 5/16	58 5/16	53 11/16	67 11/16
	'C'	19 1/8	19 5/8	19 7/8	20 7/8	20 7/8	23 3/8	23 3/8	24 7/8	24 7/8	26 7/8	26 7/8	28 7/8	28 7/8
	'D'	40 3/4	37 3/4	45 1/2	39 1/4	46 1/4	40 1/16	47 1/16	39 15/16	51 15/16	46 9/16	61 9/16	56 15/16	70 15/16
1"	'A'	1 1/2												
	'B'	40 1/16	33 13/16	41 9/16	35 5/16	42 5/16	36 1/8	43 1/8	36	48	42 5/8	57 5/8	53	67
	'C'	20 5/16	20 13/16	21 1/16	22 1/16	22 1/16	24 9/16	24 9/16	26 1/16	26 1/16	28 1/16	28 1/16	30 1/16	30 1/16
	'D'	41 1/2	35 1/4	43	36 3/4	43 3/4	37 9/16	44 9/16	37 7/16	49 7/16	44 1/16	59 1/16	54 7/16	68 7/16
1 1/4"	'A'	1 1/2												
	'B'	41 1/8	34 7/8	42 5/8	36 3/8	43 3/8	37 3/16	44 3/16	37 1/16	49 1/16	43 11/16	58 11/16	54 1/16	68 1/16
	'C'	20 15/16	21 7/16	21 11/16	22 11/16	22 11/16	25 3/16	25 3/16	26 11/16	26 11/16	28 11/16	28 11/16	30 11/16	30 11/16
	'D'	42	35 3/4	43 1/2	37 1/4	44 1/4	38 1/16	45 1/16	37 15/16	49 15/16	44 9/16	59 9/16	54 15/16	68 15/16
1 1/2"	'A'	2												
	'B'	41 1/8	34 7/8	42 5/8	36 3/8	43 3/8	37 3/16	44 3/16	37 1/16	49 1/16	43 11/16	58 11/16	54 1/16	68 1/16
	'C'	22 11/16	23 3/16	23 7/16	24 7/16	24 7/16	26 15/16	26 15/16	28 7/16	28 7/16	30 7/16	30 7/16	32 7/16	32 7/16
	'D'	42 1/4	36	43 3/4	37 1/2	44 1/2	38 5/16	45 5/16	38 3/16	50 3/16	44 13/16	59 13/16	55 3/16	69 3/16
2"	'A'	2 1/2												
	'B'	41 9/16	35 5/16	43 1/16	36 13/16	43 13/16	37 5/8	44 5/8	37 1/2	49 1/2	44 1/8	59 1/8	54 1/2	68 1/2
	'C'	30 1/16	30 9/16	30 13/16	31 13/16	31 13/16	34 5/16	34 5/16	35 13/16	35 13/16	37 13/16	37 13/16	39 13/16	39 13/16
	'D'	45 9/16	39 5/16	47 1/16	40 13/16	47 13/16	41 5/8	48 5/8	41 1/2	53 1/2	48 1/8	63 1/8	58 1/2	72 1/2
2 1/2"	'A'	3												
	'B'	N/A	28 9/16	36 5/16	30 1/16	37 1/16	30 7/8	37 7/8	30 3/4	42 3/4	37 3/8	52 3/8	47 3/4	61 3/4
	'C'	N/A	20 5/8	20 7/8	21 7/8	21 7/8	24 3/8	24 3/8	25 7/8	25 7/8	27 7/8	27 7/8	29 7/8	29 7/8
	'D'	N/A	36 5/8	44 3/8	38 1/8	45 1/8	38 15/16	45 15/16	38 13/16	50 13/16	45 7/16	60 7/16	55 13/16	69 13/16
3"	'A'	4												
	'B'	N/A	N/A	38 7/8	32 5/8	39 5/8	33 7/16	40 7/16	33 5/16	45 5/16	39 15/16	54 15/16	50 5/16	64 5/16
	'C'	N/A	N/A	22 5/16	23 5/16	23 5/16	25 13/16	25 13/16	27 5/16	27 5/16	29 5/16	29 5/16	31 5/16	31 5/16
	'D'	N/A	N/A	47 9/16	41 5/16	48 5/16	42 1/8	49 1/8	42	54	48 5/8	63 5/8	59	73
4"	'A'	6												
	'B'	N/A	N/A	N/A	34 5/8	41 5/8	35 7/16	42 7/16	35 5/16	47 5/16	41 15/16	56 15/16	52 5/16	66 5/16
	'C'	N/A	N/A	N/A	27 9/16	27 9/16	30 1/16	30 1/16	31 9/16	31 9/16	33 9/16	33 9/16	35 9/16	35 9/16
	'D'	N/A	N/A	N/A	40 13/16	47 13/16	41 5/8	48 5/8	41 1/2	53 1/2	48 1/8	63 1/8	58 1/2	72 1/2
5"	'A'	6												
	'B'	N/A	N/A	N/A	N/A	N/A	35 7/16	42 7/16	35 5/16	47 5/16	41 15/16	56 15/16	52 5/16	66 5/16
	'C'	N/A	N/A	N/A	N/A	N/A	33 5/16	33 5/16	34 13/16	34 13/16	36 13/16	36 13/16	38 13/16	38 13/16
	'D'	N/A	N/A	N/A	N/A	N/A	42 1/8	49 1/8	42	54	48 5/8	63 5/8	59	73

NOTES:

- 1/ DIMENSIONS IN INCHES, AND SUBJECT TO CHANGE WITHOUT NOTICE.
- 2/ DIM 'B', 'C', 'D' ARE TO BE APPROXIMATED ONLY, CONSULT FACTORY FOR TIGHT DIMENSIONS.

Ace Heaters, LLC

www.aceheaters.com

This document contains proprietary information from AHS, LLC. Do not reproduce or distribute without prior written consent of AHS, LLC.		ASME Section VIII Div 1: 2015 Ed. Design Pressure: 150 psig Test Pressure: 195 psig Max Design Temperature: 370°F	A.I:
SCALE: NA	Filename: SIVSW	SHEET 1 OF 1	
Dwg By: JL	Orig Date: 12/17/15	Rev Date:	Checked By:
MINIPACK SYSTEM - VERICAL SW Steam - Pilot Operated Valve Package			
Dwg #: SIVSWSP-DIM	SO:	REV 1	