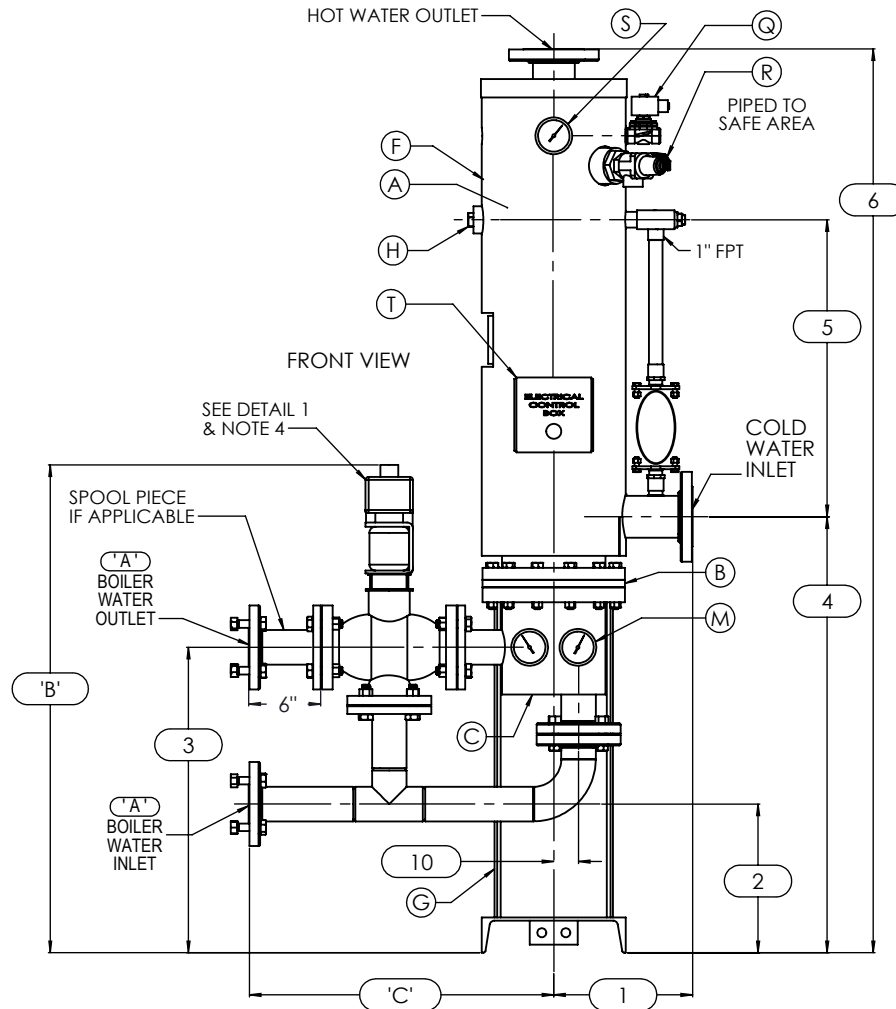
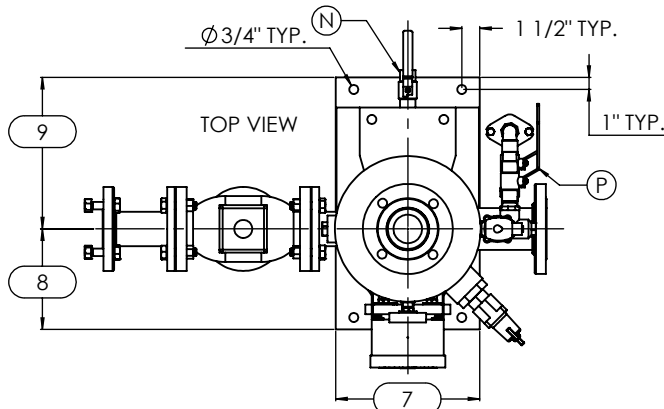
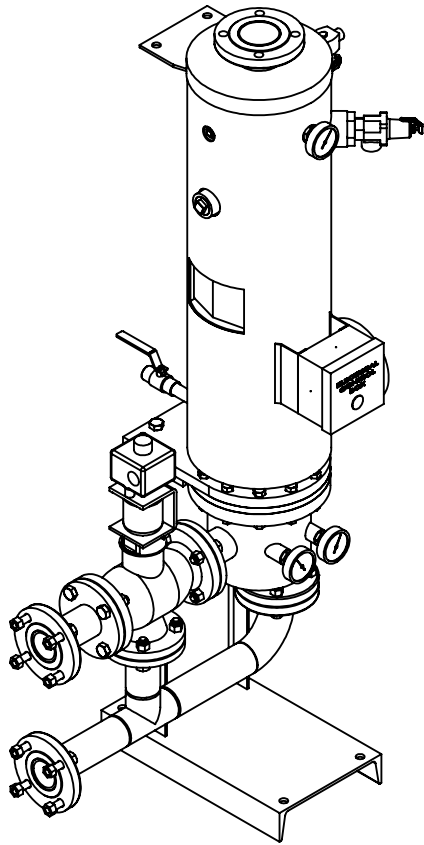


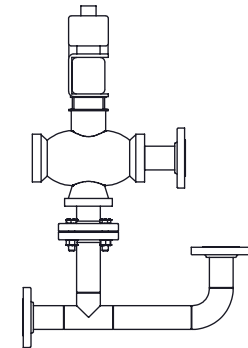
ISOMETRIC VIEW



NOTES:

1. REFER TO PRODUCT SPECIFICATION FOR DESCRIPTION OF LETTERED ITEMS.
2. INSTALLATION: ALL COMPONENTS SHOWN HERE ARE PREWIRED & PREPIPED BY ACE HEATERS. CUSTOMER WILL ONLY NEED TO PLUMB WATER TO BE HEATED, PLUMB BOILER WATER, AND BRING ELECTRICITY TO UNIT.
3. DIMENSIONS ARE SUBJECT TO CHANGE. CONSULT FACTORY FOR TIGHT DIMENSIONS.
4. THIS CONFIGURATION CHANGES FOR VALVE SIZE 1/2" TO 2". SEE DETAIL 1 FOR REFERENCE.

APPROX. EMPTY WT:



DETAIL 1

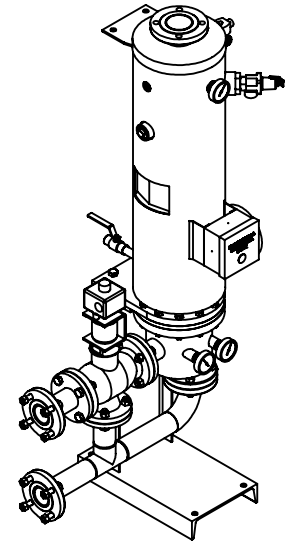
 U W RES	CERTIFIED BY Ace Heaters, LLC www.aceheaters.com
	MAXIMUM ALLOWABLE WORKING PRESSURE SHELL 150 PSI @ 210 °F TUBES 150 PSI @ 370 °F MIN. D.M.T. _____ °F @ 150 PSI S/N _____ YEAR BUILT _____
	MODEL _____ CAPACITY _____ GAL SA. _____ JOB NO. _____

Ace Heaters, LLC www.aceheaters.com		
This document contains proprietary information from AHS, LLC. Do not reproduce or distribute without prior written consent of AHS, LLC.	ASME Section VIII Div 1: 2015 Ed. Design Pressure: 150 psig Test Pressure: 195 psig Max Design Temperature: 370°F	A.I: SHEET 1 OF 1
SCALE: NA Dwg By: JL	Filename: SIVSW Orig Date: 12/17/15 Rev Date:	Checked By:
MINIPACK SYSTEM - VERICAL SW Water 3w - Siemens Electric Valve Package		
Dwg #: SIVSWWE-3W-SIE	SO:	REV 1

SIVSW W E-3W-SIE, 3W - WATER - ELECTRIC SIEMENS OPERATED VALVE PACKAGE SIZE AND LOCATION

MP SIZE	4	5	6	8	8L	10	10L	12	12L	14	14L	16	16L	
ITEMS	1	9 1/2	11 1/2	12	11 9/16	11 9/16	13 7/16	13 7/16	14 7/16	14 7/16	15 3/4	15 3/4	17 5/8	17 5/8
DIMENSIONS	2	13 7/16	7 3/16	15 1/16	8 3/16	8 3/16	10 5/8	10 5/8	12 1/8	12 1/8	15 1/16	15 1/16	25 1/16	25 1/16
	3	30 3/16	23 15/16	31 11/16	25 7/16	32 7/16	27 3/4	34 3/4	29 1/8	41 1/8	32 1/16	47 1/16	42 1/16	56 1/16
	4	39 13/16	33 9/16	41 13/16	36 5/16	43 5/16	30 5/8	44 15/16	41 5/8	53 5/8	48 5/8	63 7/8	60 5/8	74 5/8
	5	30	23	30 1/4	24 3/4	30 3/4	25	31 11/16	24 1/2	36 1/2	30 1/2	45 3/4	40 1/2	54 1/2
	6	82 15/16	69 11/16	85 13/16	75 5/16	88 5/16	79 1/4	92 1/4	83 1/4	107 1/4	98 1/4	128 1/2	121 3/4	149 3/4
	7	12	12	12	12	12	18	18	18	18	18	18	18	18
	8	12 3/16	11 1/16	10 3/8	9 1/4	9 1/4	13 11/16	13 11/16	12	12	15 1/4	15 1/4	13 1/2	13 1/2
	9	8 13/16	9 15/16	10 5/8	11 3/4	11 3/4	13 5/16	13 5/16	15	15	14 3/4	14 3/4	16 1/2	16 1/2
	10	1	1 3/8	1 1/2	2 1/16	2 1/16	2 1/2	2 1/2	3 1/16	3 1/16	3 1/8	3 1/8	3 1/4	3 1/4
	INLET PIPE SIZE	2 THR.	2 1/2 FLG.	2 1/2 FLG.	3 FLG.	3 FLG.	4 FLG.	4 FLG.	4 FLG.	4 FLG.	5 FLG.	5 FLG.	6 FLG.	6 FLG.
OUTLET PIPE SIZE	2 THR.	2 1/2 FLG.	2 1/2 FLG.	3 FLG.	3 FLG.	4 FLG.	4 FLG.	4 FLG.	4 FLG.	5 FLG.	5 FLG.	6 FLG.	6 FLG.	

'A' VALVE SIZE	ITEM	VALVE SIZE AND OVERALL LOCATION												
1/2"	'B'	39 5/8	33 3/8	41 1/8	34 7/8	41 7/8	37 3/16	44 3/16	38 9/16	50 9/16	41 1/2	56 1/2	51 1/2	65 1/2
	'C'	11 9/16	12 1/16	12 5/16	13 5/16	13 5/16	15 13/16	15 13/16	17 5/16	17 5/16	19 5/16	19 5/16	21 5/16	21 5/16
3/4"	'B'	40 7/16	34 3/16	41 15/16	35 11/16	42 11/16	38	45	39 3/8	51 3/8	42 5/16	57 5/16	52 5/16	66 5/16
	'C'	12 3/16	12 11/16	12 15/16	13 15/16	13 15/16	16 7/16	16 7/16	17 15/16	17 15/16	19 15/16	19 15/16	21 15/16	21 15/16
1"	'B'	40 13/16	34 9/16	42 5/16	36 1/16	43 1/16	38 3/8	45 3/8	39 3/4	51 3/4	42 11/16	57 11/16	52 11/16	66 11/16
	'C'	12 3/4	13 1/4	13 1/2	14 1/2	14 1/2	17	17	18 1/2	18 1/2	20 1/2	20 1/2	22 1/2	22 1/2
1 1/4"	'B'	41 7/16	35 3/16	42 15/16	36 11/16	43 11/16	39	46	40 3/8	52 3/8	43 5/16	58 5/16	53 5/16	67 5/16
	'C'	13 3/8	13 7/8	14 1/8	15 1/8	15 1/8	17 5/8	17 5/8	19 1/8	19 1/8	21 1/8	21 1/8	23 1/8	23 1/8
1 1/2"	'B'	42 13/16	36 9/16	44 5/16	38 1/16	45 1/16	40 3/8	47 3/8	41 3/4	53 3/4	44 11/16	59 11/16	54 11/16	68 11/16
	'C'	13 15/16	14 7/16	14 11/16	15 11/16	15 11/16	18 3/16	18 3/16	19 11/16	19 11/16	21 11/16	21 11/16	23 11/16	23 11/16
2"	'B'	43 9/16	37 5/16	45 1/16	38 13/16	45 13/16	41 1/8	48 1/8	42 1/2	54 1/2	45 7/16	60 7/16	55 7/16	69 7/16
	'C'	15 1/8	15 5/8	15 7/8	16 7/8	16 7/8	19 3/8	19 3/8	20 7/8	20 7/8	22 7/8	22 7/8	24 7/8	24 7/8
2 1/2"	'B'	N/A	39 1/8	46 7/8	40 5/8	47 5/8	42 15/16	49 15/16	44 5/16	56 5/16	47 1/4	62 1/4	57 1/4	71 1/4
	'C'	N/A	18 3/16	18 7/16	19 7/16	19 7/16	21 15/16	21 15/16	23 7/16	23 7/16	25 7/16	25 7/16	27 7/16	27 7/16
3"	'B'	N/A	N/A	51 15/16	45 11/16	52 11/16	48	55	49 3/8	61 3/8	52 5/16	67 5/16	62 5/16	76 5/16
	'C'	N/A	N/A	19 1/4	20 1/4	20 1/4	22 3/4	22 3/4	24 1/4	24 1/4	26 1/4	26 1/4	28 1/4	28 1/4
4"	'B'	N/A	N/A	N/A	48 1/4	55 1/4	50 9/16	57 9/16	51 15/16	63 15/16	54 7/8	69 7/8	64 7/8	78 7/8
	'C'	N/A	N/A	N/A	21 3/4	21 3/4	24 1/4	24 1/4	25 3/4	25 3/4	27 3/4	27 3/4	29 3/4	29 3/4
5"	'B'	N/A	N/A	N/A	N/A	N/A	50 9/16	57 9/16	51 15/16	63 15/16	54 7/8	69 7/8	64 7/8	78 7/8
	'C'	N/A	N/A	N/A	N/A	N/A	24 1/2	24 1/2	26	26	28	28	30	30



ISOMETRIC VIEW

NOTES:
 1/ DIMENSIONS IN INCHES, AND SUBJECT TO CHANGE WITHOUT NOTICE.

2/ DIM 'B', 'C' ARE TO BE APPROXIMATED ONLY, CONSULT FACTORY FOR TIGHT DIMENSIONS.

Ace Heaters, LLC

www.aceheaters.com

This document contains proprietary information from AHS, LLC. Do not reproduce or distribute without prior written consent of AHS, LLC. ASME Section VIII Div 1: 2015 Ed. Design Pressure: 150 psig Test Pressure: 195 psig Max Design Temperature: 370°F

A.I:

SCALE: NA | Filename: SIVSW | SHEET 1 OF 1
 Dwg By: JL | Orig Date: 12/17/15 | Rev Date: | Checked By:

MINIPACK SYSTEM - VERICAL SW
 Water 3w - Siemens Electric Valve Package

Dwg #: SIVSWWE-3W-SIE- DIM | SO: | REV 1