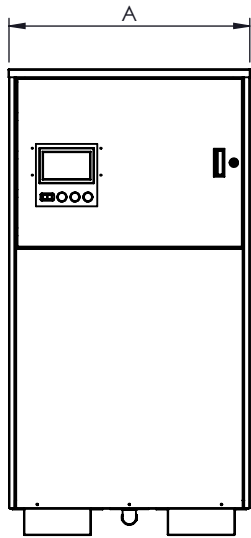
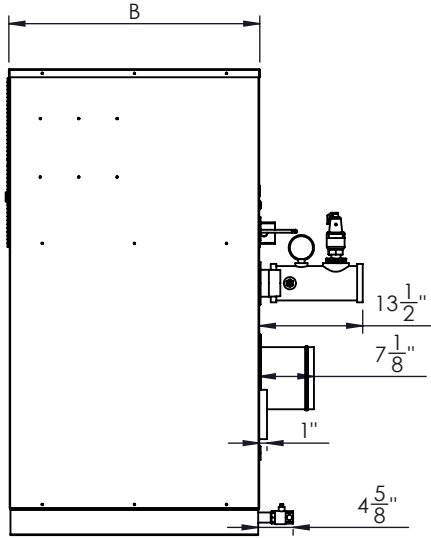


MODEL	A	B	C	D	E	F	G	H	I	J	K	L	M	N	WEIGHT
	WIDTH	DEPTH	HEIGHT	AIR INTAKE	GAS INLET	HOT OUT	EXHAUST VENT	COLD IN	COND DRAIN	AIR INTAKE	GAS INLET	HOT OUT	DRAIN/EXH VENT	COLD IN	LBS
080	31 1/2"	32 11/16"	60 11/16"	15 11/16"	39 7/8"	32 13/16"	20 7/16"	32 13/16"	10 11/16"	6 11/16"	9 15/16"	23 3/4"	15 3/4"	7 3/4"	1050
100	31 1/2"	32 11/16"	60 11/16"	15 11/16"	39 7/8"	32 13/16"	20 7/16"	32 13/16"	10 11/16"	6 11/16"	9 15/16"	23 3/4"	15 3/4"	7 3/4"	1050
150	31 1/2"	32 11/16"	68 11/16"	16 3/4"	47 7/8"	40 13/16"	22"	40 13/16"	10 11/16"	6 11/16"	9 15/16"	23 3/4"	15 3/4"	7 3/4"	1200
200	31 1/2"	32 11/16"	76 11/16"	16 3/4"	55 7/8"	48 13/16"	23 15/16"	48 13/16"	10 11/16"	6 11/16"	9 15/16"	23 3/4"	15 3/4"	7 3/4"	1375

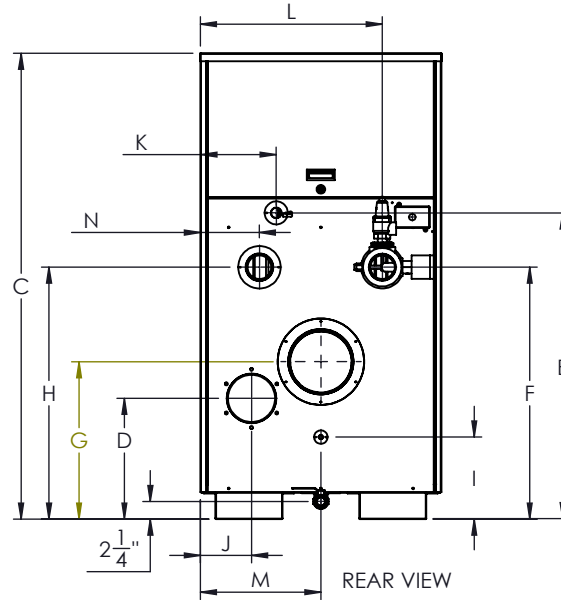
*ALL DIMENSIONS ARE APPROXIMATE AND SUBJECT TO CHANGE



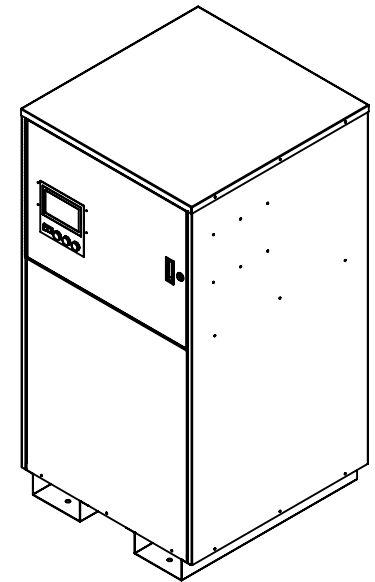
FRONT VIEW



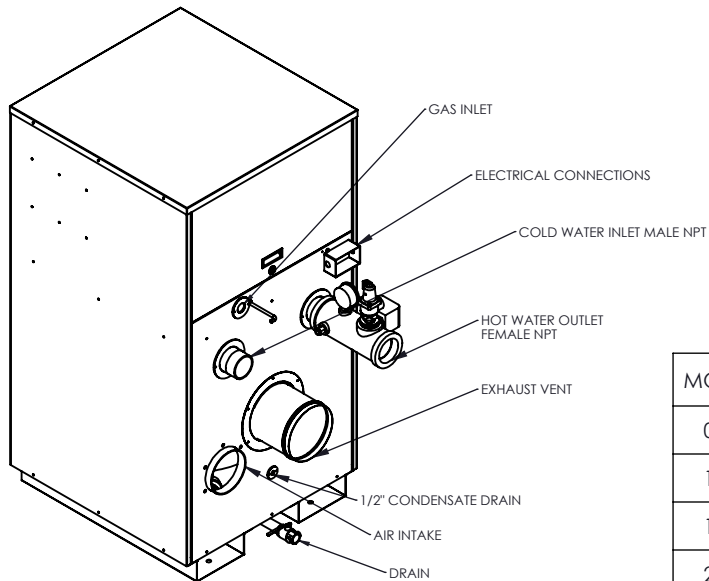
LEFT SIDE VIEW



REAR VIEW



ISOMETRIC VIEW



CONNECTION SIZES

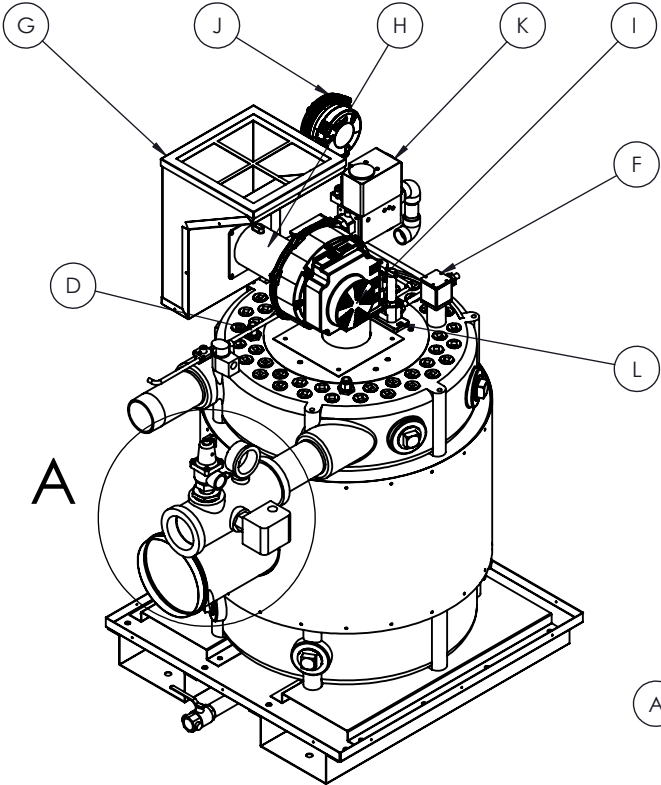
MODEL	AIR INTAKE	EXHAUST VENT	GAS INLET	WATER IN/OUT
080	8"	8"	1"	3"
100	8"	8"	1"	3"
150	8"	8"	1 1/4"	3"
200	8"	8"	1 1/4"	3"

ACE HEATERS

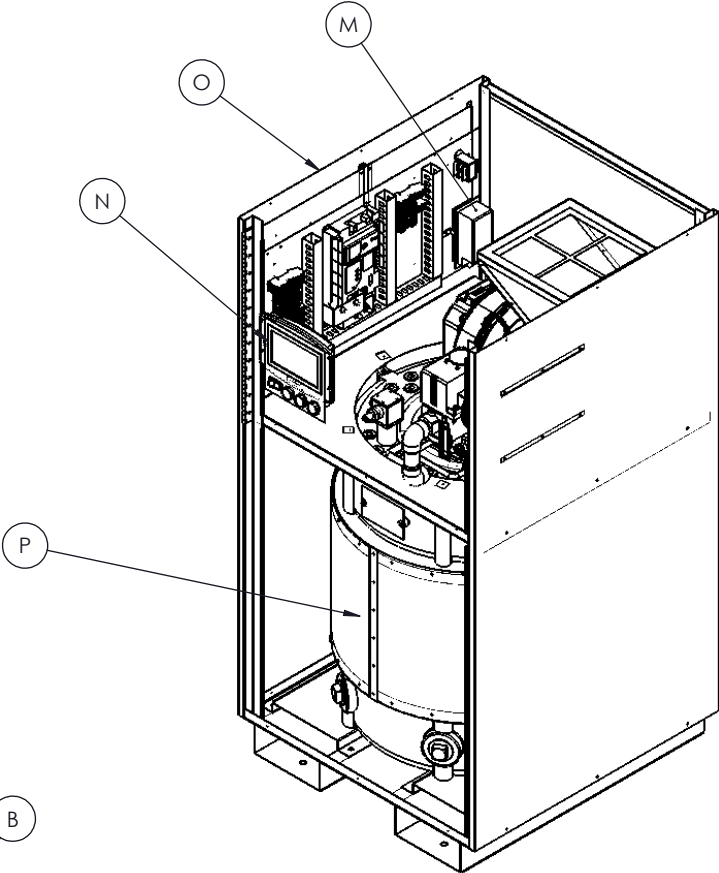
www.aceheaters.com

This document contains proprietary information from Ace Heaters. Do not reproduce or distribute without prior written consent of Ace Heaters			A.I:
SCALE: N/A	Filename: Triton A Dimensioned	SHEET 1 OF 1	
Dwg By:	Orig Date:	Rev Date:	Checked By:
TRITON A DIMENSIONED			
Dwg #:	SO:	REV	

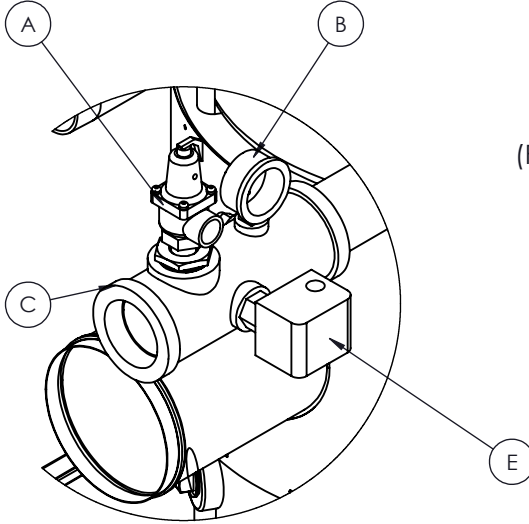
TRITON SUBMITTAL DRAWING



REAR ISOMETRIC VIEW
(ALL JACKETING IS NOT SHOWN)



FRONT ISOMETRIC VIEW
(FRONT AND TOP JACKETING IS NOT SHOWN)



DETAIL A

ACE HEATERS www.aceheaters.com			
This document contains proprietary information from Ace Heaters. Do not reproduce or distribute without prior written consent of Ace Heaters.			A.I:
SCALE: N/A	Filename: Triton Submittal	SHEET 1 OF 1	
Dwg By:	Orig Date:	Rev Date:	Checked By: Z
TRITON SUBMITTAL DRAWING			
Dwg #: TRITON SUBMITTAL	SO:	REV	