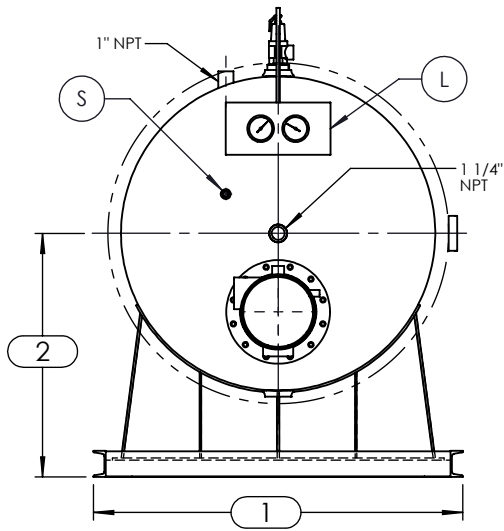
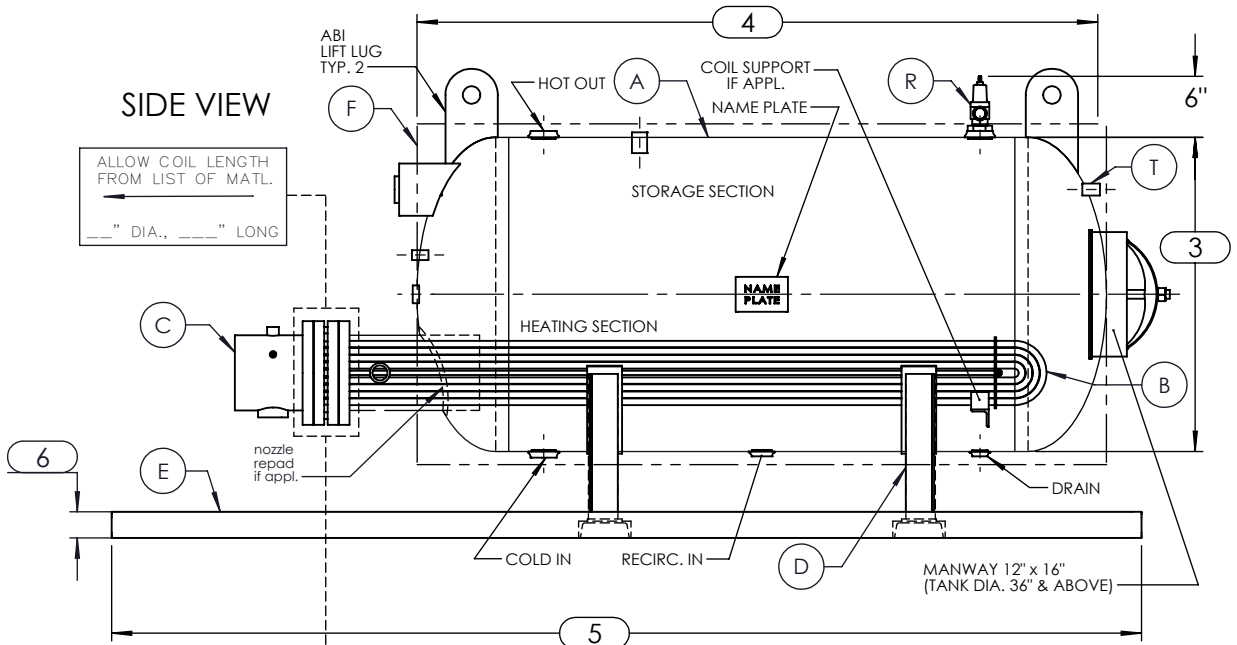


FRONT VIEW



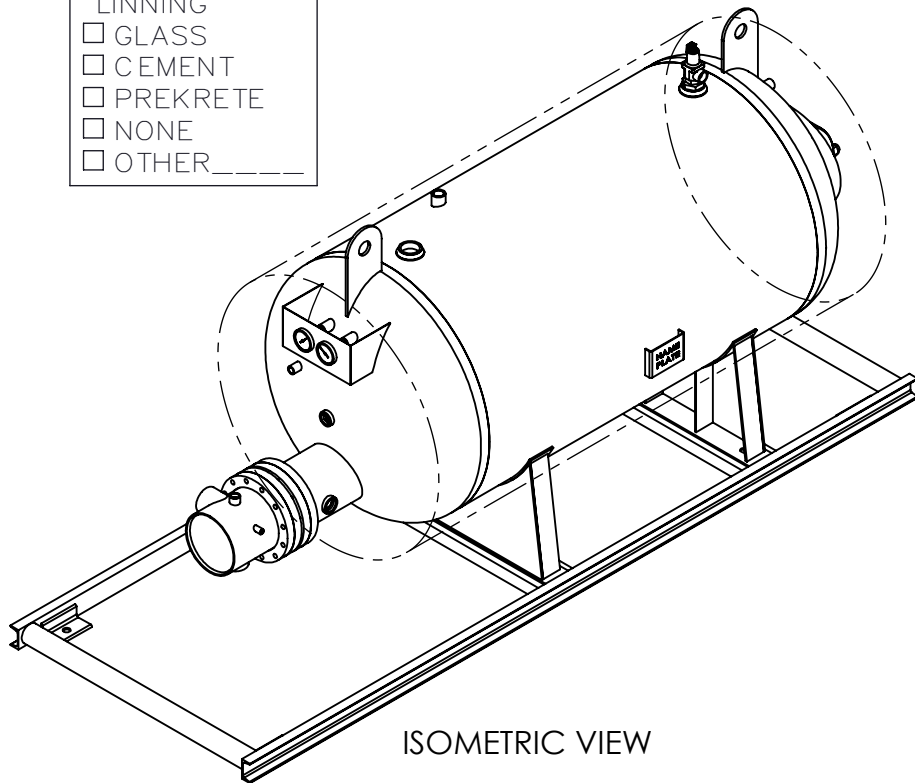
SIDE VIEW



ALLOW COIL LENGTH FROM LIST OF MATL.  
 \_\_\_" DIA., \_\_\_" LONG

LINING

- GLASS
- CEMENT
- PREKRETE
- NONE
- OTHER \_\_\_\_\_



ISOMETRIC VIEW

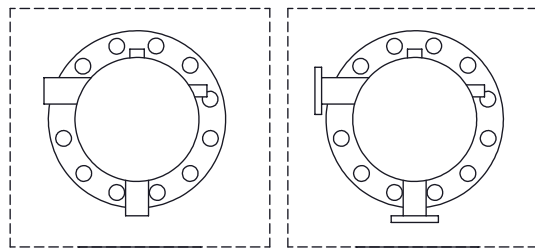
SEE DIMENSION TABLE IN SHEET 2

NOTES:

- REFER TO "LIST OF MATERIALS" FOR DESCRIPTION OF LETTERED ITEMS.
- ALL COMPONENTS SHOWN ARE PREWIRED AND/OR PREPARED BY AHS, LLC. CUSTOMER NEEDS ONLY TO PLUMB WATER TO BE HEATED, STEAM AND CONDENSATE LINES, AND BRING ELECTRICITY TO THE CONTROL BOX.
- ALL DIMENSIONS ARE IN INCHES AND SUBJECT TO CHANGE WITHOUT NOTICE.

SINGLE WALL  DOUBLE WALL

USE  DET 1 or  DET 1A



DET 1  
STEAM -2 PASS  
THRD. CONN.

DET 1A  
STEAM -2 PASS  
FLG. CONN.

	NAT'L BD. _____	
	CERTIFIED BY <b>Ace Heating Solutions, LLC</b>	
	MAXIMUM ALLOWABLE WORKING PRESSURE SHELL _____ PSI @ 210 °F TUBES _____ PSI @ 370 °F MIN. D.M.T. 0 °F @ _____ PSI S/N _____ YEAR BUILT _____	
	MODEL _____ CAPACITY _____ GAL SA. _____ SQFT JOB NO. _____ XXX	

ACE HEATING SOLUTIONS, LLC

2701 S Harbor Blvd Phone: (714) 540-2230  
 Santa Ana, CA 92704 www.aceheatingllc.com

This document contains proprietary information from AHS, LLC. Do not reproduce or distribute without prior written consent of AHS, LLC.	ASME Section VIII Div 1: 2013 Ed.	A.I:
	Design Pressure: 125/150 psig Test Pressure: 125/195 psig Max Design Temperature: 400°F	

SCALE: N/A	Filename: GHS-IJ	SHEET 1 OF 2
Dwg By: VN	Orig Date: 3/11/09	Rev Date: 9/20/12
		Checked By:

Horizontal Unpackaged Storage Water Heater  
 Steam 2P - Ins. - Jkt. - Skid - No Recirc.

Dwg #: GHS-IJ	SO:	REV. 1
---------------	-----	--------

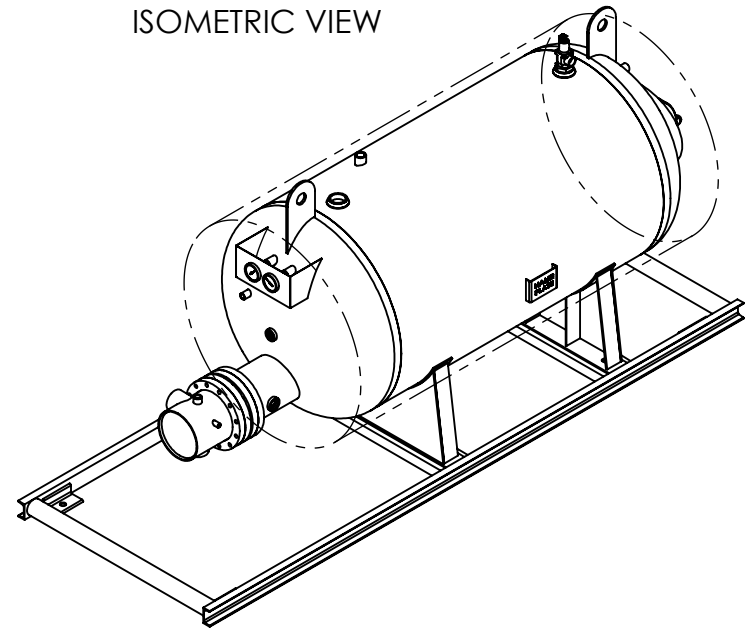
Shell Sizes	DIMENSIONS in INCHES					
	1	2	3	4	5	6
1802	20.32	18.41	18	34	62	3
1803				46	74	
1804				58	86	
1805				70	98	
2404	30.32	21.41	24	61	95	3
2405				73	107	
2406				85	119	
2407				97	131	
3004	36.42	24.92	30	64	100	3
3005				76	112	
3006				88	124	
3007				100	136	
3604	42.32	27.92	36	67	106	3
3605				79	118	
3606				91	130	
3607				103	142	
3608				115	154	
4204	48.32	30.92	42	70	109	3
4205				82	121	
4206				94	133	
4207				106	145	
4208				118	157	

Shell Sizes	DIMENSIONS in INCHES					
	1	2	3	4	5	6
4804	54.32	33.92	48	73	112	3
4805				85	124	
4806				97	136	
4807				109	148	
4808				121	160	
5405	60.66	37.26	54	88	127	4
5406				100	139	
5407				112	131	
5408				124	163	
6005	66.66	40.26	60	91	130	4
6006				103	142	
6007				115	154	
6008				127	166	
6009				139	178	
6605	72.66	43.26	66	94	133	4
6606				106	145	
6607				118	157	
6608				130	169	
6609				144	181	
7205	78.66	46.26	72	97	136	4
7206				109	148	
7207				121	160	
7208				133	172	
7209				147	184	

NOTES:

1. DIMENSION 5 IS APPROXIMATE ONLY. CONSULT FACTORY FOR TIGHT DIMENSIONS.
2. ALL DIMENSIONS ARE IN INCHES AND SUBJECT TO CHANGE WITHOUT NOTICE.

ISOMETRIC VIEW



## ACE HEATING SOLUTIONS, LLC

2701 S Harbor Blvd  
Santa Ana, CA 92704

Phone: (714) 540-2230  
www.aceheatingllc.com

This document contains  
proprietary information from  
AHS, LLC.  
Do not reproduce or distribute  
without prior written consent of  
AHS, LLC.

ASME Section VIII Div 1: 2013 Ed.  
Design Pressure: 125/150 psig  
Test Pressure: 125/195 psig  
Max Design Temperature: 400°F

A.I:

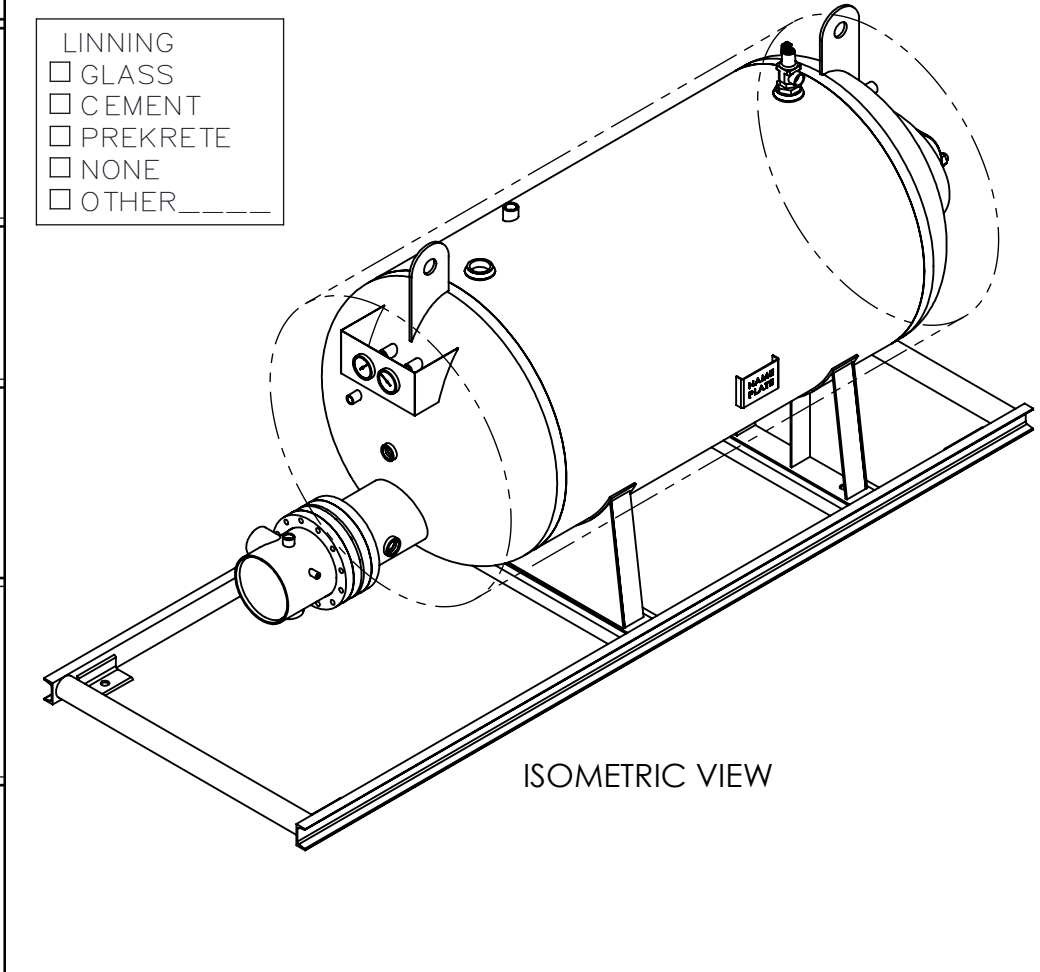
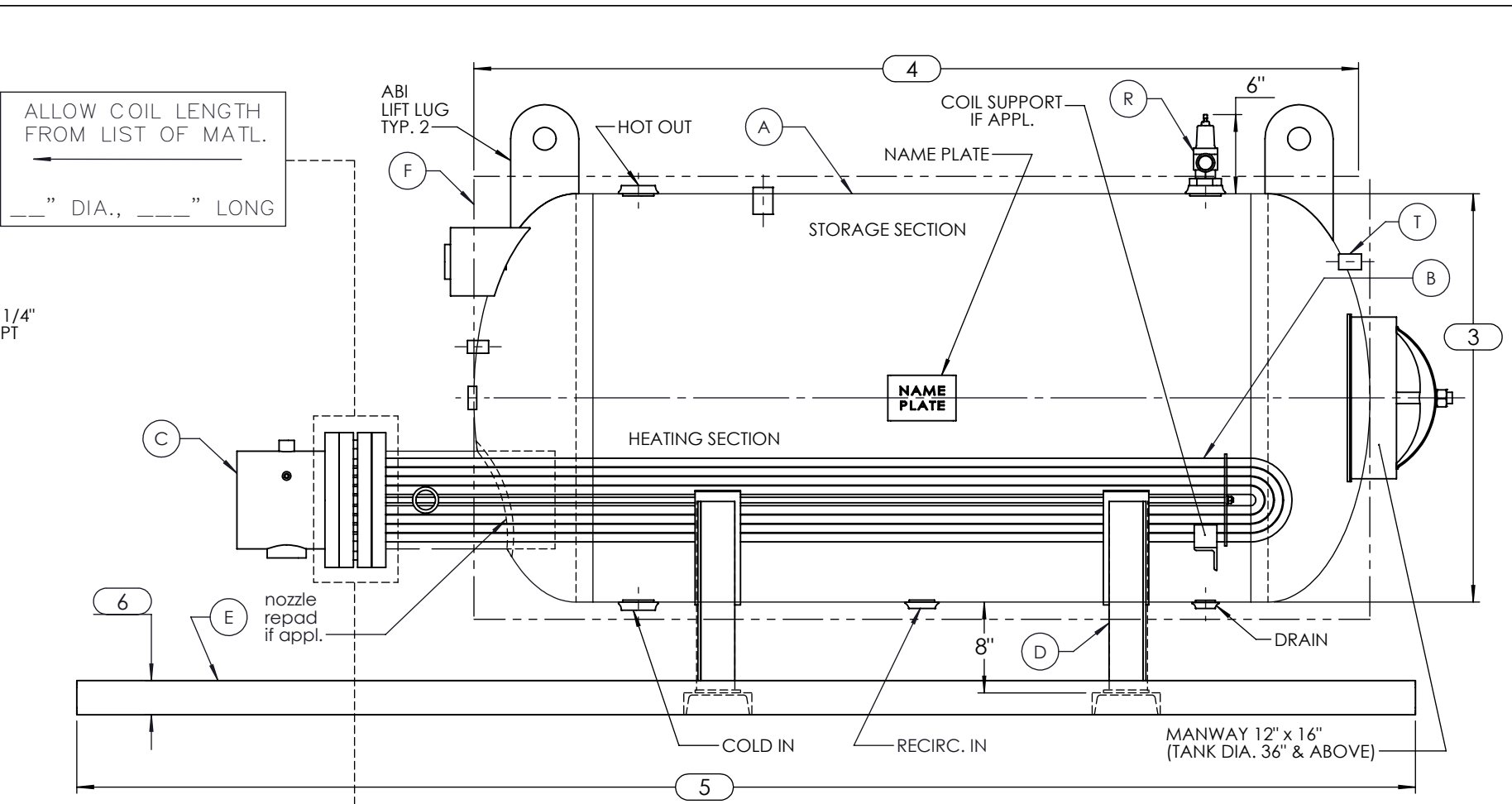
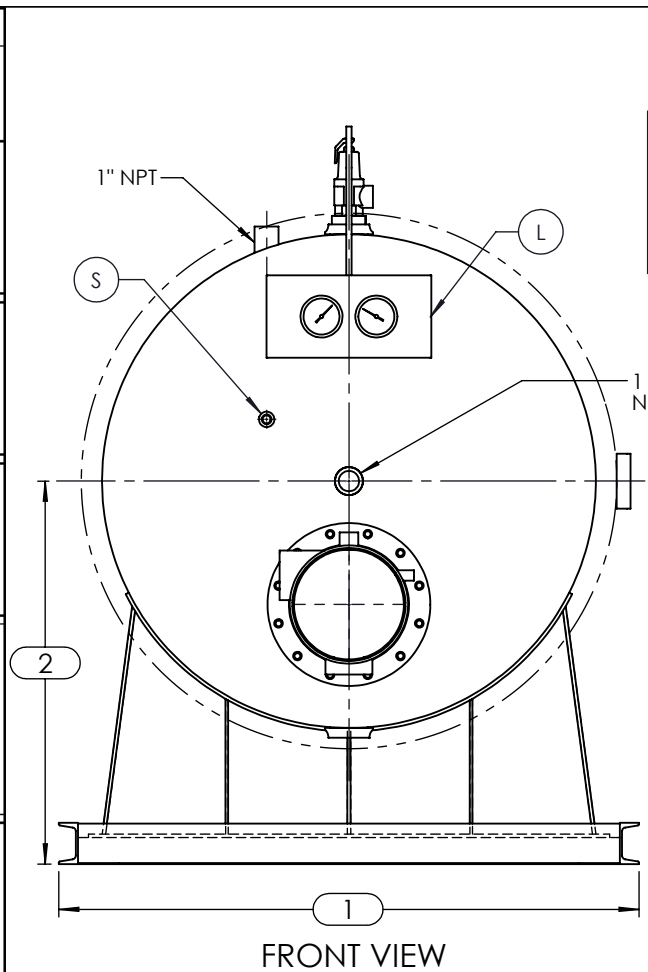
SCALE: N/A    Filename: GHS-IJ    SHEET 2 OF 2

Dwg By: VN    Orig Date: 3/11/09    Rev Date: 9/20/12    Checked By:

Horizontal Unpackaged Storage Water Heater  
Steam 2P - Ins. - Jkt. - Skid - No Recirc.

Dwg #: GHS-IJ    SO:    REV. 1

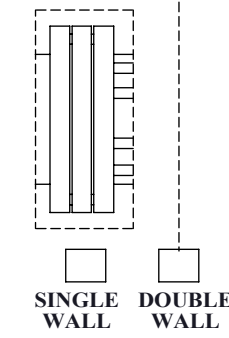
Shell Sizes	DIMENSIONS in INCHES					
	1	2	3	4	5	6
1802	20.32	18.41	18	34	62	3
1803				46	74	
1804				58	86	
1805				70	98	
2404	30.32	21.41	24	61	95	3
2405				73	107	
2406				85	119	
2407				97	131	
3004	36.42	24.92	30	64	100	3
3005				76	112	
3006				88	124	
3007				100	136	
3604	42.32	27.92	36	67	106	3
3605				79	118	
3606				91	130	
3607				103	142	
3608				115	154	
4204	48.32	30.92	42	70	109	3
4205				82	121	
4206				94	133	
4207				106	145	
4208				118	157	
4804	54.32	33.92	48	73	112	3
4805				85	124	
4806				97	136	
4807				109	148	
4808				121	160	
5405	60.66	37.26	54	88	127	4
5406				100	139	
5407				112	131	
5408				124	163	
6005	66.66	40.26	60	91	130	4
6006				103	142	
6007				115	154	
6008				127	166	
6009				139	178	
6605	72.66	43.26	66	94	133	4
6606				106	145	
6607				118	157	
6608				130	169	
6609				144	181	
7205	78.66	46.26	72	97	136	4
7206				109	148	
7207				121	160	
7208				133	172	
7209				147	184	



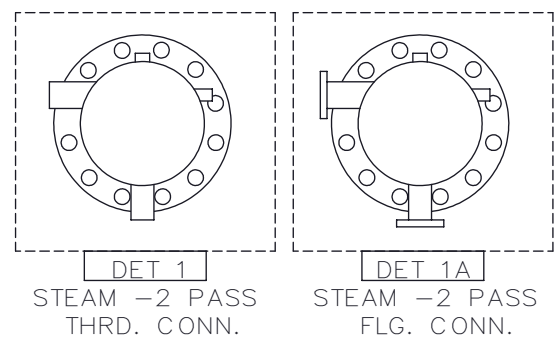
- LINING
- GLASS
  - CEMENT
  - PREKRETE
  - NONE
  - OTHER \_\_\_\_\_

ALLOW COIL LENGTH FROM LIST OF MATL.  
 \_\_\_\_\_ " DIA., \_\_\_\_\_ " LONG

- NOTES:
- REFER TO "LIST OF MATERIALS" FOR DESCRIPTION OF LETTERED ITEMS.
  - ALL COMPONENTS SHOWN ARE PREWIRED AND/OR PREPIPED BY AHS, LLC. CUSTOMER NEEDS ONLY TO PLUMB WATER TO BE HEATED, STEAM AND CONDENSATE LINES, AND BRING ELECTRICITY TO THE CONTROL BOX.
  - ALL DIMENSIONS ARE IN INCHES AND SUBJECT TO CHANGE WITHOUT NOTICE.



USE  DET 1 or  DET 1A



	NAT'L BD. _____	<b>ACE HEATING SOLUTIONS, LLC</b>	
	CERTIFIED BY	2701 S Harbor Blvd Santa Ana, CA 92704    Phone: (714) 540-2230 www.aceheatingllc.com	
	<i>Ace Heating Solutions, LLC</i>	This document contains proprietary information from AHS, LLC. Do not reproduce or distribute without prior written consent of AHS, LLC.	
	MAXIMUM ALLOWABLE WORKING PRESSURE	ASME Section VIII Div 1: 2013 Ed.    A.I.:	
	SHELL _____ PSI @ 210 °F TUBES _____ PSI @ 370 °F	Design Pressure: 125/150 psig Test Pressure: 125/195 psig Max Design Temperature: 400°F	
MIN. D.M.T. _____ °F @ _____ PSI S/N _____ YEAR BUILT _____	SCALE: N/A    Filename: GHS-IJ    SHEET 1 OF 1		
MODEL _____ CAPACITY _____ GAL SA. _____ SQFT JOB NO. _____ XXX	Dwg By: VN    Orig Date: 3/11/09    Rev Date: 9/20/12    Checked By: _____		
Horizontal Unpackaged Storage Water Heater Steam 2P - Ins. - Jkt. - Skid - No Recirc.		Dwg #: GHS-IJ    SO: _____    REV. 1	