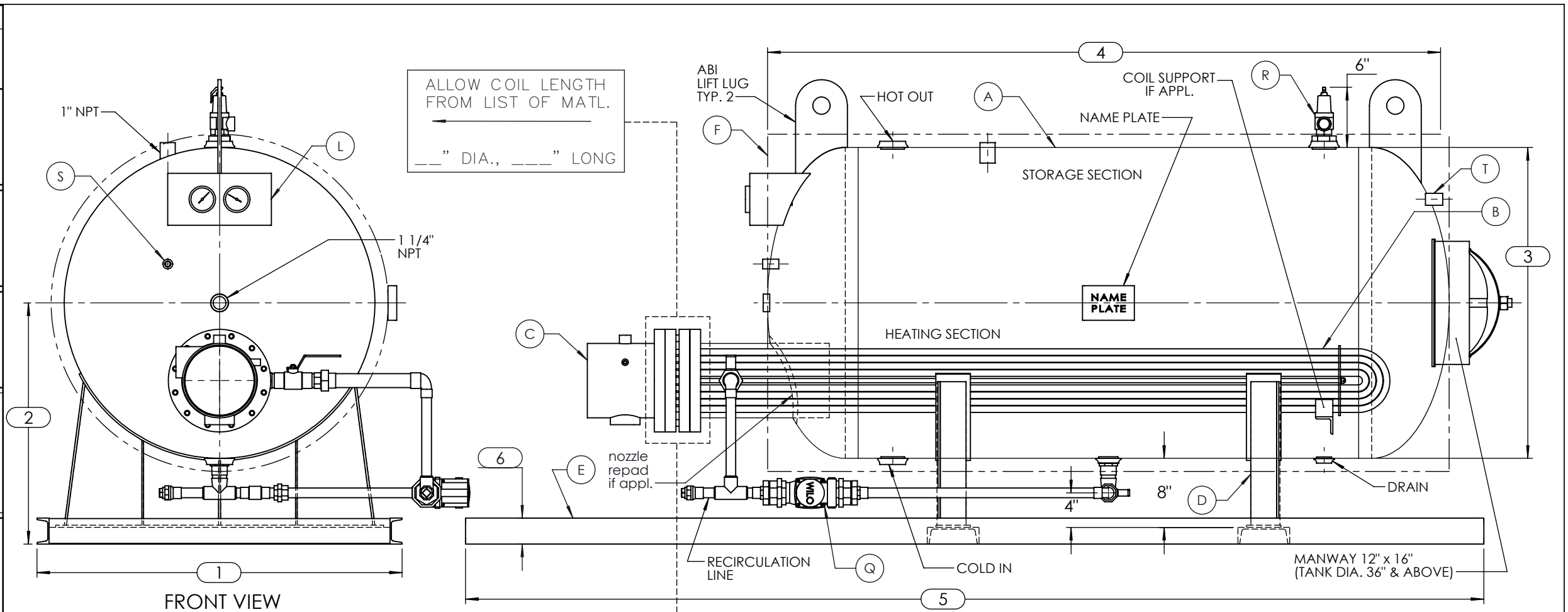


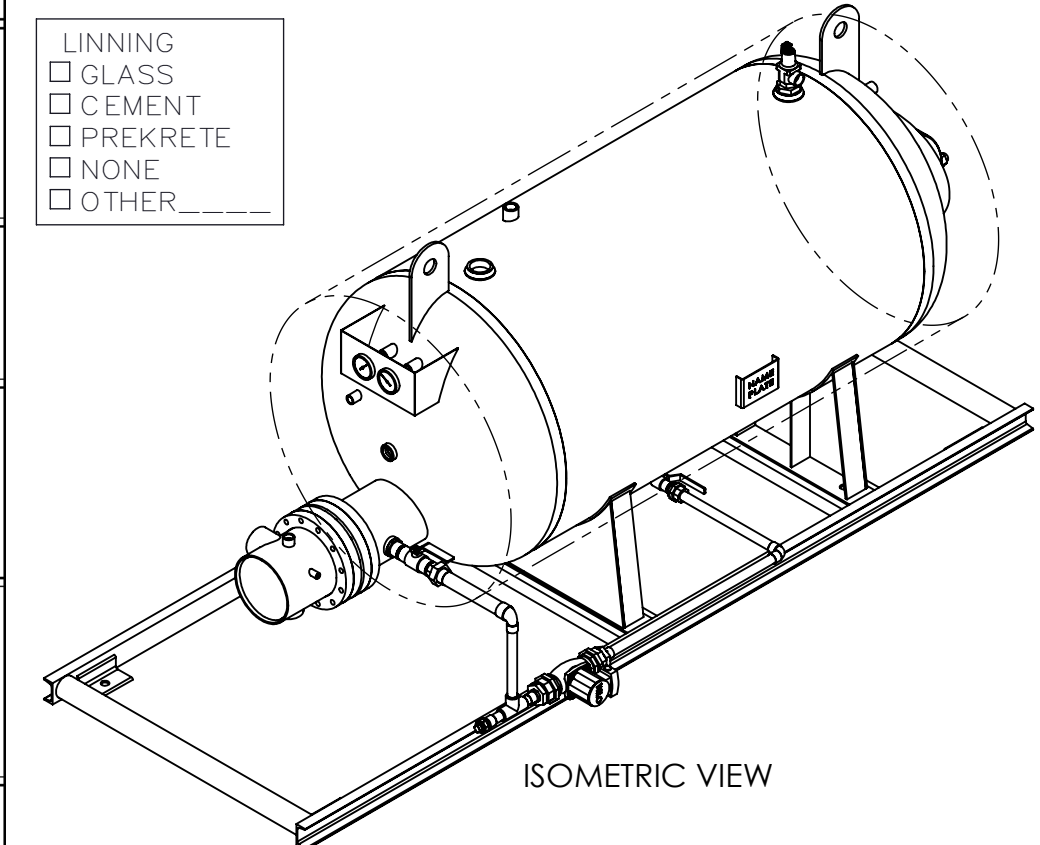
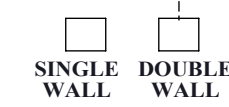
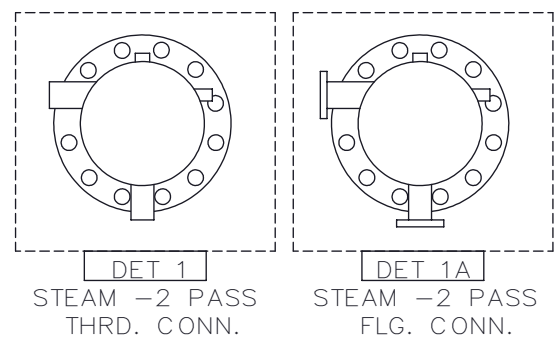
Shell Sizes	DIMENSIONS in INCHES					
	1	2	3	4	5	
1802				34	62	3
1803	20.32	18.41	18	46	74	
1804				58	86	
1805				70	98	
2404				61	95	3
2405	30.32	21.41	24	73	107	
2406				85	119	
2407				97	131	
3004				64	100	3
3005	36.42	24.92	30	76	112	
3006				88	124	
3007				100	136	
3604				67	106	3
3605	42.32	27.92	36	79	118	
3606				91	130	
3607				103	142	
3608				115	154	
4204				70	109	3
4205	48.32	30.92	42	82	121	
4206				94	133	
4207				106	145	
4208				118	157	
4804				73	112	3
4805	54.32	33.92	48	85	124	
4806				97	136	
4807				109	148	
4808				121	160	
5405				88	127	4
5406	60.66	37.26	54	100	139	
5407				112	131	
5408				124	163	
6005				91	130	4
6006	66.66	40.26	60	103	142	
6007				115	154	
6008				127	166	
6009				139	178	
6605				94	133	4
6606	72.66	43.26	66	106	145	
6607				118	157	
6608				130	169	
6609				144	181	
7205				97	136	4
7206	78.66	46.26	72	109	148	
7207				121	160	
7208				133	172	
7209				147	184	



- LINING
- GLASS
  - CEMENT
  - PREKRETE
  - NONE
  - OTHER \_\_\_\_\_

- NOTES:
1. REFER TO "LIST OF MATERIALS" FOR DESCRIPTION OF LETTERED ITEMS.
  2. ALL COMPONENTS SHOWN ARE PREWIRED AND/OR PREPIPED BY ACE HEATERS. CUSTOMER NEEDS ONLY TO PLUMB WATER TO BE HEATED, STEAM AND CONDENSATE LINES, AND BRING ELECTRICITY TO THE CONTROL BOX.
  3. ALL DIMENSIONS ARE IN INCHES AND SUBJECT TO CHANGE WITHOUT NOTICE.

USE  DET 1 or  DET 1A



	CERTIFIED BY <i>Ace Heaters</i>	<b>ACE HEATERS</b>		
	MAXIMUM ALLOWABLE WORKING PRESSURE SHELL 150 PSI @ 390 °F TUBES 150 PSI @ 390 °F MIN. D.M.T. 0 °F @ 150 PSI S/N _____ YEAR BUILT _____ MODEL _____ CAPACITY _____ GAL SA. _____ SQFT JOB NO. _____ XXX	This document contains proprietary information from Ace Heaters. Do not reproduce or distribute without prior written consent of Ace Heaters.	ASME Section VIII Div 1: Design Pressure: 150 psig Test Pressure: 195 psig Max Design Temperature: 390°F	A.I:
	SCALE: N/A Dwg By:	Filename: GHS-IJ-SK-PUMP Orig Date:	SHEET 1 OF 1 Rev Date:	Checked By:
	Horizontal Unpackaged Storage Water Heater Steam 2P - Ins. - Jkt. - Skid - Recirculation			Dwg #: GHS-IJ-SK-PUMP    SO:    REV. 1