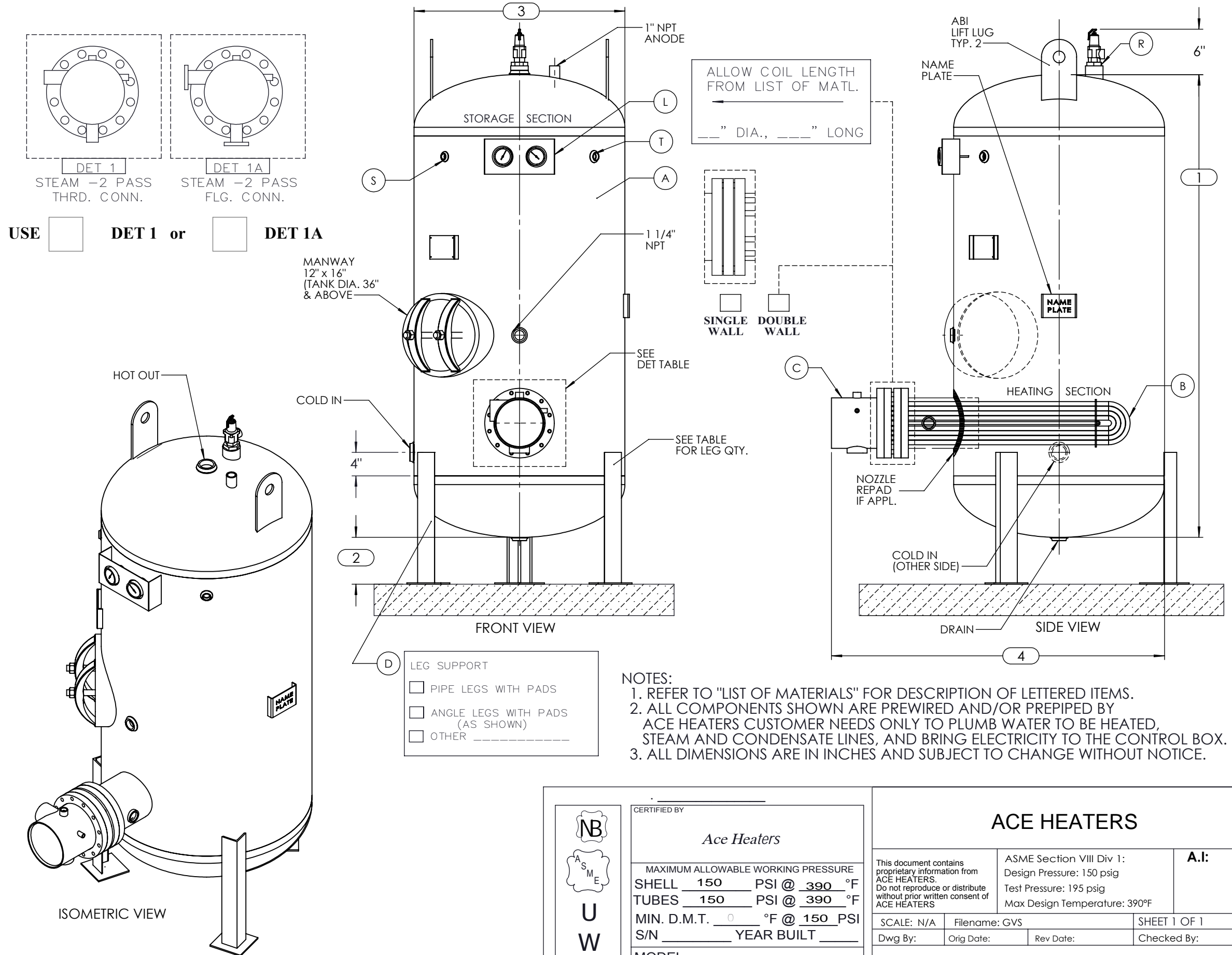


Shell Sizes	DIMENSIONS						
	1	2		3	4	Leg QTY.	
		Pipe Legs w/ Pads	Angle Legs w/ Pads			Pipe Legs w/ Pads	Angle Legs w/ Pads
1802	36						
1803	48						
1804	60	8	8	18	38 MAX	3	3
1805	72						
2404	63						
2405	75	8 1/2	8	24	50 MAX	3	3
2406	87						
2407	99						
3004	66						
3005	78	11	8	30	58 MAX	3	3
3006	90						
3007	102						
3604	69						
3605	81	9 1/2	8	36	66 MAX	3	3
3606	93						
3607	105						
3608	117						
4204	72						
4205	84	13 1/2	8	42	72 MAX	3	3
4206	96						
4207	108						
4208	120						
4804	75						
4805	87	13	8	48	78 MAX	3	4
4806	99						
4807	111						
4808	123						
5405	91						
5406	103	11	8	54	84 MAX	3	4
5407	115						
5408	127						
6005	93						
6006	105	11	8	60	90 MAX	4	4
6007	117						
6008	129						
6009	141						
6605	95						
6606	107	12	8	66	96 MAX	4	4
6607	119						
6608	131						
6609	143						
7205	98						
7206	110	12 1/2	8	72	102 MAX	4	4
7207	122						
7208	134						
7209	146						

LINING
<input type="checkbox"/> GLASS
<input type="checkbox"/> CEMENT
<input type="checkbox"/> PREKRETE
<input type="checkbox"/> NONE
<input type="checkbox"/> OTHER _____



	CERTIFIED BY		<b>Ace Heaters</b>	
	MAXIMUM ALLOWABLE WORKING PRESSURE			
	SHELL	150 PSI @ 390 °F		
	TUBES	150 PSI @ 390 °F		
	MIN. D.M.T.	0 °F @ 150 PSI		
S/N _____ YEAR BUILT _____				
MODEL _____				
CAPACITY _____ GAL SA. _____ SQFT				
JOB NO. _____ XXX				
<b>ACE HEATERS</b>				
This document contains proprietary information from ACE HEATERS. Do not reproduce or distribute without prior written consent of ACE HEATERS		ASME Section VIII Div 1: Design Pressure: 150 psig Test Pressure: 195 psig Max Design Temperature: 390°F		<b>A.I.:</b>
SCALE: N/A	Filename: GVS	SHEET 1 OF 1		
Dwg By:	Orig Date:	Rev Date:	Checked By:	
Vertical Unpackaged Storage Water Heater Steam 2P - No Ins.- No Skid - No Recirc.				
Dwg #: GVS		SO:		REV. 1