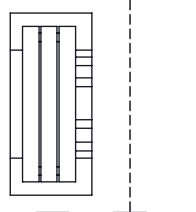
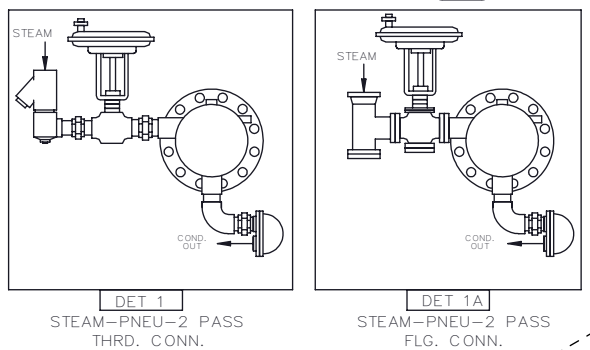


ALLOW COIL LENGTH FROM LIST OF MATL.
 ___" DIA., ___" LONG



USE DET 1 or DET 1A



DIMENSIONS	SHELL SIZES					SHELL SIZES					SHELL SIZES						SHELL SIZES											
	1802	1803	1804	1805		3004	3005	3006	3007		4204	4205	4206	4207	4208		5405	5406	5407	5408	6605	6606	6607	6608	6609			
1	24.32				1	36.32				1	48.32					1	60.66					1	72.66					
2	18.41				2	24.92				2	30.92					2	37.26					2	43.26					
3	18				3	30				3	42					3	54					3	66					
4	34	46	58	70	4	64	76	88	100	4	70	82	94	106	118	4	88	100	112	124	4	94	106	118	130	144		
5	62	74	86	98	5	100	112	124	136	5	109	121	133	145	157	5	127	139	151	163	5	133	145	157	169	181		
6	3				6	3				6	3					6	4					6	4					
DIMENSIONS	SHELL SIZES					SHELL SIZES					SHELL SIZES						SHELL SIZES											
	2404	2405	2406	2407		3604	3605	3606	3607		3608	4804	4805	4806	4807		4808	6005	6006	6007	6008	6009	7205	7206	7207	7208	7209	
1	30.32				1	42.32				1	54.32					1	66.66					1	78.66					
2	21.41				2	27.92				2	33.92					2	40.26					2	46.26					
3	24				3	36				3	48					3	60					3	72					
4	61	73	85	97	4	67	79	91	103	115	4	73	85	97	109	121	4	91	103	115	127	139	4	97	109	121	133	147
5	95	107	119	131	5	106	118	130	142	154	5	112	124	136	148	160	5	130	142	154	166	178	5	136	148	160	172	184
6	3				6	3				6	3					6	4					6	4					

LINNING
 GLASS
 CEMENT
 PREKRETE
 NONE
 OTHER _____

- NOTES:
1. REFER TO "LIST OF MATERIALS" FOR DESCRIPTION OF LETTERED ITEMS.
 2. ALL COMPONENTS SHOWN ARE PREWIRED AND/OR PREPIPED BY ACE HEATERS. CUSTOMER NEEDS ONLY TO PLUMB WATER TO BE HEATED, STEAM AND CONDENSATE LINES, AND BRING ELECTRICITY TO THE CONTROL BOX.
 3. DIMENSION 5 IS APPROXIMATE ONLY. CONSULT FACTORY FOR TIGHT DIMENSIONS.
 4. ALL DIMENSIONS ARE IN INCHES AND SUBJECT TO CHANGE WITHOUT NOTICE.

CERTIFIED BY
Ace Heaters

MAXIMUM ALLOWABLE WORKING PRESSURE
 SHELL **150** PSI @ **390** °F
 TUBES **150** PSI @ **390** °F
 MIN. D.M.T. 0 °F @ **150** PSI
 S/N _____ YEAR BUILT _____

MODEL _____
 CAPACITY _____ GAL SA. _____ SQFT
 JOB NO. _____ XXX _____

ACE HEATERS

This document contains proprietary information from Ace Heaters. Do not reproduce or distribute without prior written consent of Ace Heaters.

ASME Section VIII Div 1:
 Design Pressure: 150 psig
 Test Pressure: 195 psig
 Max Design Temperature: 390°F

A.I.:

SCALE: N/A Filename: PHSA
 Dwg By: _____ Orig Date: _____ Rev Date: _____ Checked By: _____

**Horizontal Packaged Storage Water Heater
 Steam - Pneumatic Operated Valve Package**

Dwg #: PHSA SO: _____ REV. 1