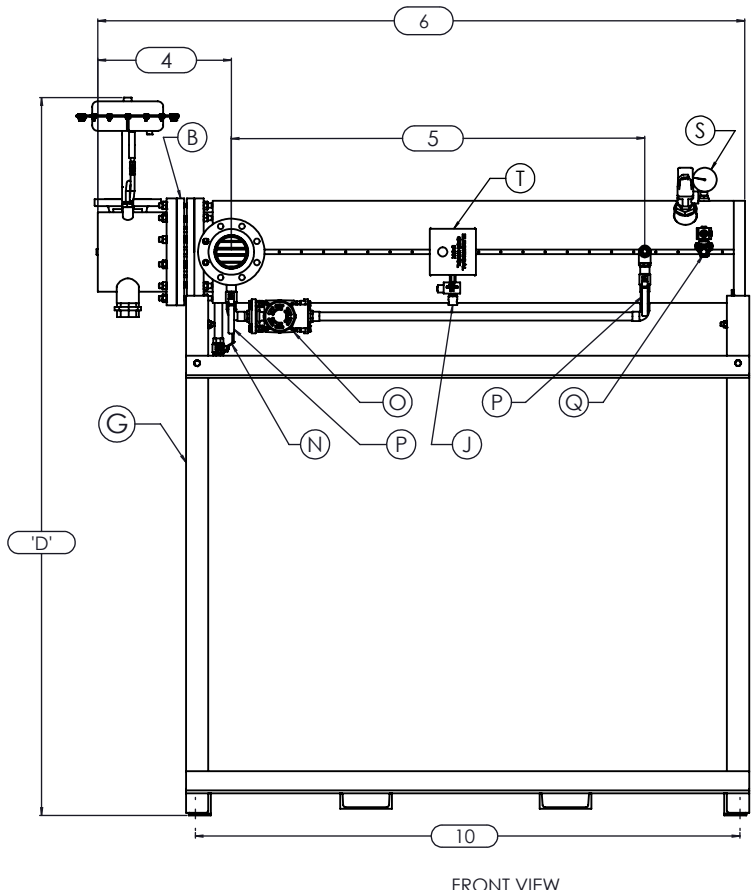
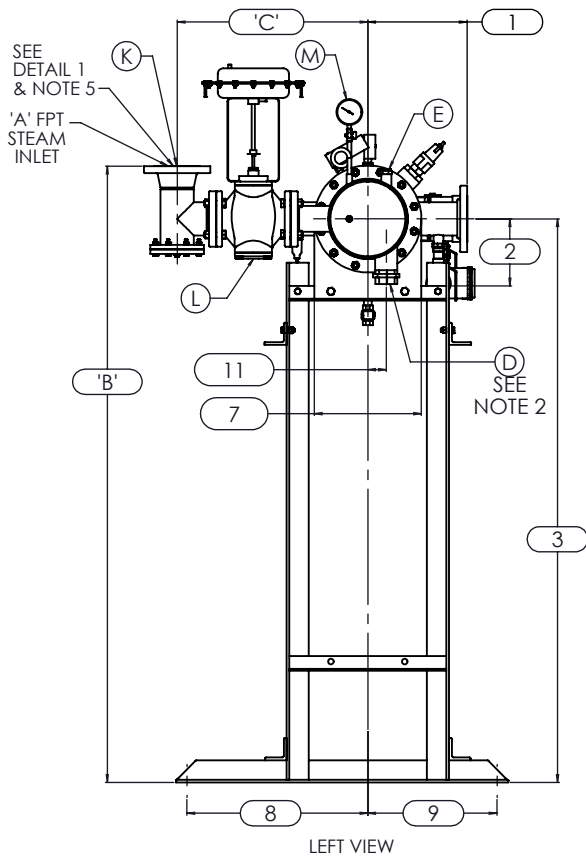


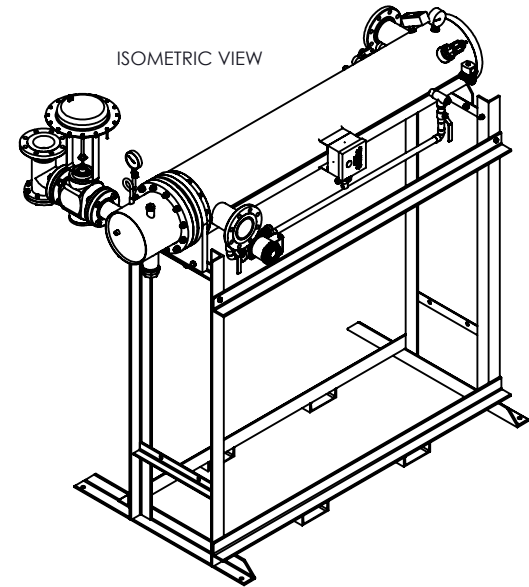
- NOTES:
1. REFER TO PRODUCT SPECIFICATION FOR DESCRIPTION OF LETTERED ITEMS.
 2. CONDENSATE: CONDENSATE IS TO BE PIPED FROM HEATER WITHOUT LIFTS TO A VENTED RECEIVER OR DRAIN BELOW THE ELEVATION OF THE HEATER'S CONDENSATE OUTLET.
 3. INSTALLATION: ALL COMPONENTS SHOWN HERE ARE PREWIRED & PREPIPED BY ACE HEATERS. CUSTOMER WILL ONLY NEED TO PLUMB WATER TO BE HEATED, PIPE STEAM AND CONDENSATE LINES, AND BRING ELECTRICITY TO UNIT.
 4. DIMENSIONS ARE SUBJECT TO CHANGE. CONSULT FACTORY FOR TIGHT DIMENSIONS.
 5. THIS CONFIGURATION CHANGES FOR VALVE SIZE 1/2" TO 2". SEE DETAIL 1 FOR REFERENCE.
- APPROX. EMPTY WT:



	CERTIFIED BY	
	Ace Heaters, LLC www.aceheaters.com	
	MAXIMUM ALLOWABLE WORKING PRESSURE	
	SHELL	___150___ PSI @ ___210___°F
	TUBES	___150___ PSI @ ___370___°F
MIN. D.M.T. ___0___°F @ ___150___ PSI		
S/N _____ YEAR BUILT _____		
MODEL _____		
CAPACITY _____ GAL SA. _____		
JOB NO. _____ XXX		

Ace Heaters, LLC		
www.aceheaters.com		
This document contains proprietary information from AHS, LLC. Do not reproduce or distribute without prior written consent of AHS, LLC.	ASME Section VIII Div 1: 2015 Ed. Design Pressure: 150 psig Test Pressure: 195 psig Max Design Temperature: 370°F	A.I:
SCALE: NA	Filename: SIHDW - COVER	SHEET 1 OF 2
Dwg By: JL	Orig Date: 12/30/15	Rev Date: _____
		Checked By: _____
MINIPACK SYSTEM - HORIZONTAL - DW		
STEAM PNEUMATIC VALVE PACKAGE - SINGLE UNIT ON DUAL RACK		
Dwg #: SIHDWSA-1-DR	SO: _____	REV 01

SIHDWSA-1-DR, DW - STEAM - PNEUMATIC VALVE PACKAGE - SINGLE UNIT ON RACK								
	MP SIZE	5	6	8	10	12	14	16
ITEMS	1	10	10 1/2	11 1/2	13 1/2	14 1/2	15 1/2	16 1/2
	2	7 11/16	8 3/16	10 1/8	10 13/16	12 1/2	12 1/4	14
	3	59 15/16	60 7/16	62 3/8	76 1/16	77 3/4	77 1/2	79 1/4
	4	13 7/8	14 3/8	15 7/8	17 5/8	23 9/16	24 13/16	28 9/16
	5	55	54 1/2	55 1/4	56	54 1/2	63	66 3/4
	6	80 3/16	81 5/16	83 9/16	87 1/8	94 7/16	104 1/16	110 15/16
	7	8 3/4	9 7/8	11 7/8	14 1/2	16 5/8	18 1/2	20
	8	26 1/2	26 1/2	26 1/2	26 1/2	26 1/2	26 1/2	26 1/2
	9	15 1/2	15 1/2	15 1/2	15 1/2	15 1/2	15 1/2	15 1/2
	10	68 1/4	69 3/8	70 3/8	71 7/8	74 5/16	82 15/16	82 15/16
	11	1 3/8	1 1/2	2 1/16	2 1/2	3 1/16	3 1/8	3 1/4
	12	64	64	64	64	64	75	80
	13	4 13/16	4 13/16	5 15/16	5 11/16	8 1/8	7 1/4	7 3/8
INLET PIPE SIZE		2 1/2 FLG.	2 1/2 FLG.	3 FLG.	4 FLG.	4 FLG.	5 FLG.	6 FLG.
OUTLET PIPE SIZE		2 1/2 FLG.	2 1/2 FLG.	3 FLG.	4 FLG.	4 FLG.	5 FLG.	6 FLG.
VALVE SIZE	ITEM	VALVE SIZE AND OVERALL LOCATION						
1/2"	A	3/4						
	B	70 7/16	70 15/16	72 7/8	86 9/16	88 1/4	88	89 3/4
	C	20 5/16	20 9/16	21 9/16	24 1/16	25 9/16	27 9/16	29 9/16
	D	75 3/4	76 1/4	78 3/16	91 7/8	93 9/16	93 5/16	95 1/16
3/4"	A	1						
	B	70 1/2	71	72 15/16	86 5/8	88 5/16	88 1/16	89 13/16
	C	21 5/16	21 9/16	22 9/16	25 1/16	26 9/16	28 9/16	30 9/16
	D	75 3/4	76 1/4	78 3/16	91 7/8	93 9/16	93 5/16	95 1/16
1"	A	1 1/4						
	B	69 13/16	70 5/16	72 1/4	85 15/16	87 5/8	87 3/8	89 1/8
	C	22 1/8	22 3/8	23 3/8	25 7/8	27 3/8	29 3/8	31 3/8
	D	75 3/4	76 1/4	78 3/16	91 7/8	93 9/16	93 5/16	95 1/16
1 1/4"	A	1 1/2						
	B	70 7/8	71 3/8	73 5/16	87	88 11/16	88 7/16	90 3/16
	C	21 7/16	21 11/16	22 11/16	25 3/16	26 11/16	28 11/16	30 11/16
	D	75 3/4	76 1/4	78 3/16	91 7/8	93 9/16	93 5/16	95 1/16
1 1/2"	A	2						
	B	70 7/8	71 3/8	73 5/16	87	88 11/16	88 7/16	90 3/16
	C	22 1/16	22 5/16	23 5/16	25 13/16	27 5/16	29 5/16	31 5/16
	D	76 1/2	77	78 15/16	92 5/8	94 5/16	94 1/16	95 13/16
2"	A	2 1/2						
	B	71 5/16	71 13/16	73 3/4	87 7/16	89 1/8	88 7/8	90 5/8
	C	24 1/4	24 1/2	25 1/2	28	29 1/2	31 1/2	33 1/2
	D	78 3/16	78 11/16	80 5/8	94 5/16	96	95 3/4	97 1/2
2 1/2"	A	3						
	B	64 9/16	65 1/16	67	80 11/16	82 3/8	82 1/8	83 7/8
	C	20 1/4	20 1/2	21 1/2	24	25 1/2	27 1/2	29 1/2
	D	78 15/16	79 7/16	81 3/8	95 1/16	96 3/4	96 1/2	98 1/4
3"	A	4						
	B	N/A	67 5/8	69 9/16	83 1/4	84 15/16	84 11/16	86 7/16
	C	N/A	22 5/16	23 5/16	25 13/16	27 5/16	29 5/16	31 5/16
	D	N/A	81 5/16	83 1/4	96 15/16	98 5/8	98 3/8	100 1/8
4"	A	6						
	B	N/A	N/A	71 9/16	85 1/4	86 15/16	86 11/16	88 7/16
	C	N/A	N/A	27 3/16	29 11/16	31 3/16	33 3/16	35 3/16
	D	N/A	N/A	85 1/4	98 15/16	100 5/8	100 3/8	102 1/8
5"	A	6						
	B	N/A	N/A	N/A	85 1/4	86 15/16	86 11/16	88 7/16
	C	N/A	N/A	N/A	33 5/16	34 13/16	36 13/16	38 13/16
	D	N/A	N/A	N/A	98 15/16	100 5/8	100 3/8	102 1/8



- NOTES:
- 1/ DIMENSIONS IN INCHES, AND SUBJECT TO CHANGE WITHOUT NOTICE.
 - 2/ DIM 'B', 'C', 'D' ARE TO BE APPROXIMATED ONLY, CONSULT FACTORY FOR TIGHT DIMENSIONS.

Ace Heaters, LLC www.aceheaters.com		
This document contains proprietary information from AHS, LLC. Do not reproduce or distribute without prior written consent of AHS, LLC.	ASME Section VIII Div 1: 2015 Ed. Design Pressure: 150 psig Test Pressure: 195 psig Max Design Temperature: 370°F	A.I.:
SCALE: NA	Filename: SIHDW - COVER	SHEET 2 OF 2
Dwg By: JL	Orig Date: 12/30/15	Rev Date: _____ Checked By: _____
MINIPACK SYSTEM - HORIZONTAL - DW STEAM PNEUMATIC VALVE PACKAGE - SINGLE UNIT ON DUAL RACK		
Dwg #: SIHDWSA-1-DR-DIM	SO:	REV 01