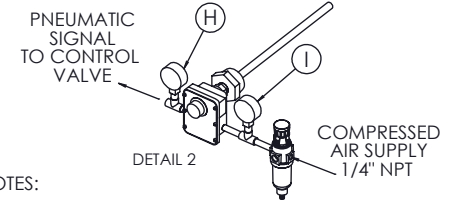
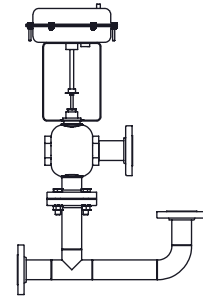
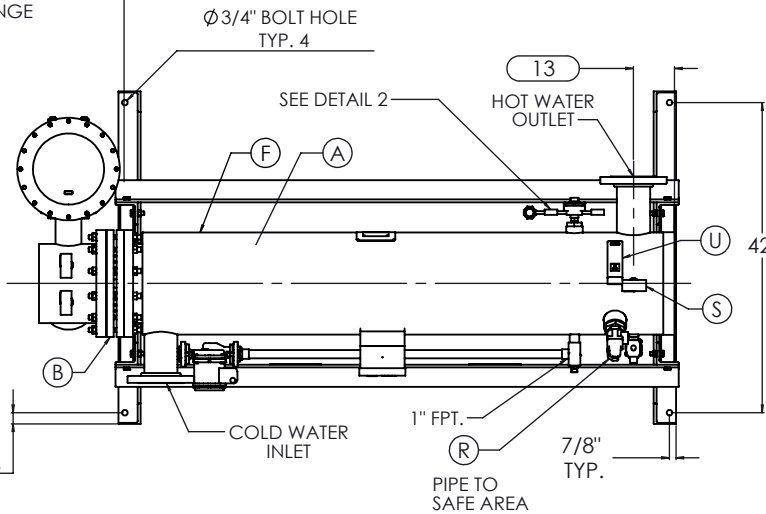


CLEARANCE FOR BUNDLE REMOVAL FROM SHELL FLANGE

12

TOP VIEW



NOTES:

1. REFER TO PRODUCT SPECIFICATION FOR DESCRIPTION OF LETTERED ITEMS.
2. INSTALLATION: ALL COMPONENTS SHOWN HERE ARE PREWIRED & PREPIPED BY ACE HEATERS. CUSTOMER WILL ONLY NEED TO PLUMB WATER TO BE HEATED, PIPE STEAM AND CONDENSATE LINES, AND BRING ELECTRICITY TO UNIT.
3. DIMENSIONS ARE SUBJECT TO CHANGE. CONSULT FACTORY FOR TIGHT DIMENSIONS.
4. THIS CONFIGURATION CHANGES FOR VALVE SIZE 1/2" TO 2". SEE DETAIL 1 FOR REFERENCE.

APPROX. EMPTY WT:

| | | |
|--|---|--|
| | CERTIFIED BY Ace Heaters, LLC www.aceheaters.com | |
| | MAXIMUM ALLOWABLE WORKING PRESSURE SHELL 150 PSI @ 210 °F TUBES 150 PSI @ 370 °F MIN. D.M.T. 0 °F @ 150 PSI S/N _____ YEAR BUILT _____ | |
| | MODEL _____ | |
| | CAPACITY _____ GAL SA. _____ | |
| | JOB NO. _____ XXX | |

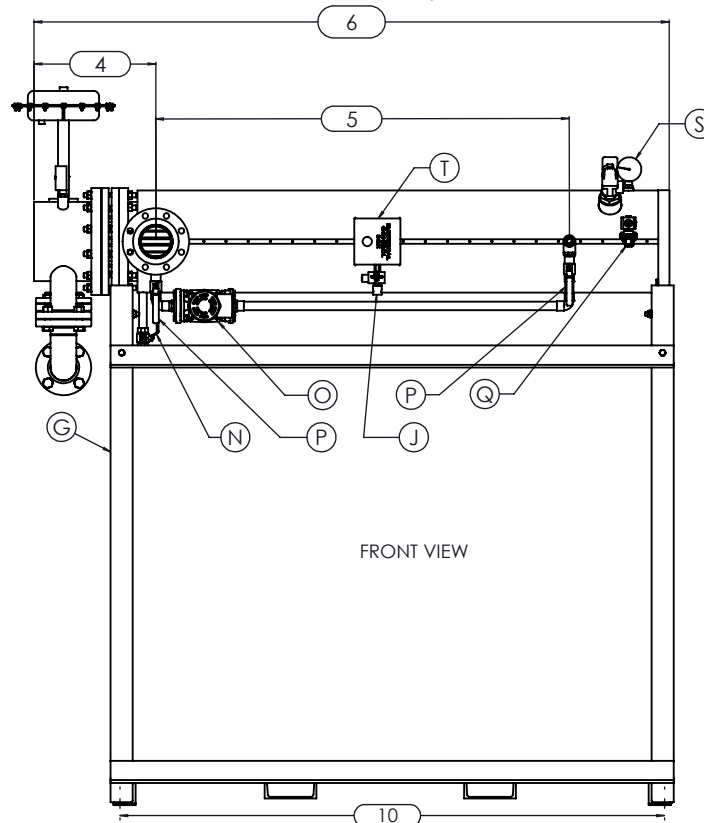
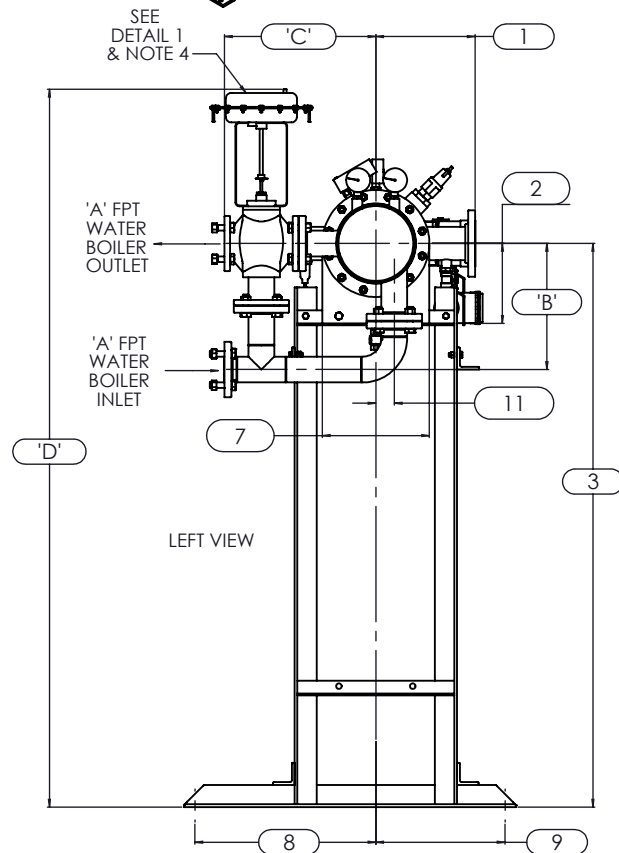
Ace Heaters, LLC
www.aceheaters.com

| | | |
|---|---|-------|
| This document contains proprietary information from AHS, LLC. Do not reproduce or distribute without prior written consent of AHS, LLC. | ASME Section VIII Div 1: 2015 Ed. | A.I.: |
| | Design Pressure: 150 psig Test Pressure: 195 psig Max Design Temperature: 370°F | |

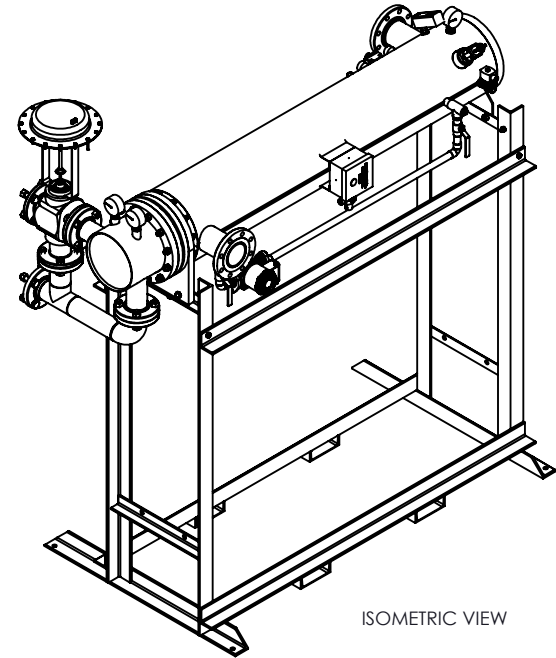
| | | |
|------------|-------------------------|-----------------|
| SCALE: NA | Filename: SIHDW - COVER | SHEET 1 OF 2 |
| Dwg By: JL | Orig Date: 12/29/15 | Rev Date: _____ |
| | Checked By: _____ | |

MINIPACK SYSTEM - HORIZONTAL - DW
3W WATER - PNEUMATIC VALVE PACKAGE - SINGLE UNIT ON DUAL RACK

Dwg #: SIHDWWA-1-DR-3W | SO: _____ | REV 01



| SIHDWWA-3W-1DR - DIM, DW - WATER - PNEUMATIC 3-WAY MIXING VALVE PACKAGE, SINGLE UNIT ON RACK | | | | | | | | | |
|--|-----------|---------------------------------|------------|----------|----------|----------|----------|----------|----------|
| | | MP SIZE | 5 | 6 | 8 | 10 | 12 | 14 | 16 |
| ITEMS | DIMENSION | 1 | 10 | 10 1/2 | 11 1/2 | 13 1/2 | 14 1/2 | 15 1/2 | 16 1/2 |
| | | 2 | 7 11/16 | 8 3/16 | 10 1/8 | 10 13/16 | 12 1/2 | 12 1/4 | 14 |
| | | 3 | 59 15/16 | 60 7/16 | 62 3/8 | 76 1/16 | 77 3/4 | 77 1/2 | 79 1/4 |
| | | 4 | 13 7/8 | 14 3/8 | 15 7/8 | 16 1/8 | 17 9/16 | 21 5/8 | 24 1/8 |
| | | 5 | 55 | 54 1/2 | 55 1/4 | 56 | 54 1/2 | 63 | 66 3/4 |
| | | 6 | 80 3/16 | 81 5/16 | 83 9/16 | 85 9/16 | 88 7/16 | 100 7/8 | 106 1/2 |
| | | 7 | 8 3/4 | 9 7/8 | 11 7/8 | 14 1/2 | 16 5/8 | 18 1/2 | 20 |
| | | 8 | 26 1/2 | 26 1/2 | 26 1/2 | 26 1/2 | 26 1/2 | 26 1/2 | 26 1/2 |
| | | 9 | 15 1/2 | 15 1/2 | 15 1/2 | 15 1/2 | 15 1/2 | 15 1/2 | 15 1/2 |
| | | 10 | 68 1/4 | 69 3/8 | 70 3/8 | 71 7/8 | 74 5/16 | 82 15/16 | 82 15/16 |
| | | 11 | 1 3/8 | 1 1/2 | 2 1/16 | 2 1/2 | 3 1/16 | 3 1/8 | 3 1/4 |
| | | 12 | 64 | 64 | 64 | 64 | 64 | 75 | 80 |
| | | 13 | 4 13/16 | 4 13/16 | 5 15/16 | 5 11/16 | 8 1/8 | 7 1/4 | 7 3/8 |
| INLET PIPE SIZE | | 2 1/2 FLG. | 2 1/2 FLG. | 3 FLG. | 4 FLG. | 4 FLG. | 5 FLG. | 6 FLG. | |
| OUTLET PIPE SIZE | | 2 1/2 FLG. | 2 1/2 FLG. | 3 FLG. | 4 FLG. | 4 FLG. | 5 FLG. | 6 FLG. | |
| VALVE SIZE 'A' | ITEM | VALVE SIZE AND OVERALL LOCATION | | | | | | | |
| 1/2" | 'B' | 12 1/8 | 12 1/8 | 12 1/8 | 12 1/8 | 12 1/8 | 12 1/8 | 12 1/8 | |
| | 'C' | 16 1/16 | 16 5/16 | 17 5/16 | 19 13/16 | 21 5/16 | 23 5/16 | 25 5/16 | |
| | 'D' | 75 3/4 | 76 1/4 | 78 3/16 | 91 7/8 | 93 9/16 | 93 5/16 | 95 1/16 | |
| 3/4" | 'B' | 12 9/16 | 12 9/16 | 12 9/16 | 12 9/16 | 12 9/16 | 12 9/16 | 12 9/16 | |
| | 'C' | 17 1/16 | 17 5/16 | 18 5/16 | 20 13/16 | 22 5/16 | 24 5/16 | 26 5/16 | |
| | 'D' | 75 3/4 | 76 1/4 | 78 3/16 | 91 7/8 | 93 9/16 | 93 5/16 | 95 1/16 | |
| 1" | 'B' | 13 | 13 | 13 | 13 | 13 | 13 | 13 | |
| | 'C' | 17 1/16 | 17 5/16 | 18 5/16 | 20 13/16 | 22 5/16 | 24 5/16 | 26 5/16 | |
| | 'D' | 75 3/4 | 76 1/4 | 78 3/16 | 91 7/8 | 93 9/16 | 93 5/16 | 95 1/16 | |
| 1 1/4" | 'B' | 13 3/4 | 13 3/4 | 13 3/4 | 13 3/4 | 13 3/4 | 13 3/4 | 13 3/4 | |
| | 'C' | 17 1/16 | 17 5/16 | 18 5/16 | 20 13/16 | 22 5/16 | 24 5/16 | 26 5/16 | |
| | 'D' | 75 3/4 | 76 1/4 | 78 3/16 | 91 7/8 | 93 9/16 | 93 5/16 | 95 1/16 | |
| 1 1/2" | 'B' | 13 9/16 | 13 9/16 | 13 9/16 | 13 9/16 | 13 9/16 | 13 9/16 | 13 9/16 | |
| | 'C' | 17 1/16 | 17 5/16 | 18 5/16 | 20 13/16 | 22 5/16 | 24 5/16 | 26 5/16 | |
| | 'D' | 76 1/2 | 77 | 78 15/16 | 92 5/8 | 94 5/16 | 94 1/16 | 95 13/16 | |
| 2" | 'B' | 14 5/16 | 14 5/16 | 14 5/16 | 14 5/16 | 14 5/16 | 14 5/16 | 14 5/16 | |
| | 'C' | 18 7/16 | 18 11/16 | 19 11/16 | 22 3/16 | 23 11/16 | 25 11/16 | 27 11/16 | |
| | 'D' | 78 3/16 | 78 11/16 | 80 5/8 | 94 5/16 | 96 | 95 3/4 | 97 1/2 | |
| 2 1/2" | 'B' | 21 | 21 | 21 | 21 | 21 | 21 | 21 | |
| | 'C' | 15 3/4 | 16 | 17 | 19 1/2 | 21 | 23 | 25 | |
| | 'D' | 78 15/16 | 79 7/16 | 81 3/8 | 95 1/16 | 96 3/4 | 96 1/2 | 98 1/4 | |
| 3" | 'B' | | 23 13/16 | 23 13/16 | 23 13/16 | 23 13/16 | 23 13/16 | 23 13/16 | |
| | 'C' | N/A | 17 | 18 | 20 1/2 | 22 | 24 | 26 | |
| | 'D' | | 81 5/16 | 83 1/4 | 96 15/16 | 98 5/8 | 98 3/8 | 100 1/8 | |
| 4" | 'B' | | | 26 3/16 | 26 3/16 | 26 3/16 | 26 3/16 | 26 3/16 | |
| | 'C' | N/A | N/A | 21 | 23 1/2 | 25 | 27 | 29 | |
| | 'D' | | | 85 1/4 | 98 15/16 | 100 5/8 | 100 3/8 | 102 1/8 | |
| 5" | 'B' | | | | 27 1/4 | 27 1/4 | 27 1/4 | 27 1/4 | |
| | 'C' | N/A | N/A | N/A | 26 1/4 | 27 3/4 | 29 3/4 | 31 3/4 | |
| | 'D' | | | | 98 15/16 | 100 5/8 | 100 3/8 | 102 1/8 | |



ISOMETRIC VIEW

NOTES:

- 1/ DIMENSIONS IN INCHES, AND SUBJECT TO CHANGE WITHOUT NOTICE.
- 2/ DIM 'B', 'C', 'D' ARE TO BE APPROXIMATED ONLY, CONSULT FACTORY FOR TIGHT DIMENSIONS.

| | | |
|---|--|----------------------------|
| Ace Heaters, LLC www.aceheaters.com | | |
| This document contains proprietary information from AHS, LLC. Do not reproduce or distribute without prior written consent of AHS, LLC. | ASME Section VIII Div 1: 2015 Ed. Design Pressure: 150 psig Test Pressure: 195 psig Max Design Temperature: 370°F | A.I.: |
| SCALE: NA | Filename: SIHDW - COVER | SHEET 2 OF 2 |
| Dwg By: JL | Orig Date: 12/29/15 | Rev Date: Checked By: |
| MINIPACK SYSTEM - HORIZONTAL - DW 3W WATER - PNEUMATIC VALVE PACKAGE - SINGLE UNIT ON DUAL RACK | | |
| Dwg #: SIHDWWA-1-DR-3W | SO: | REV 01 |