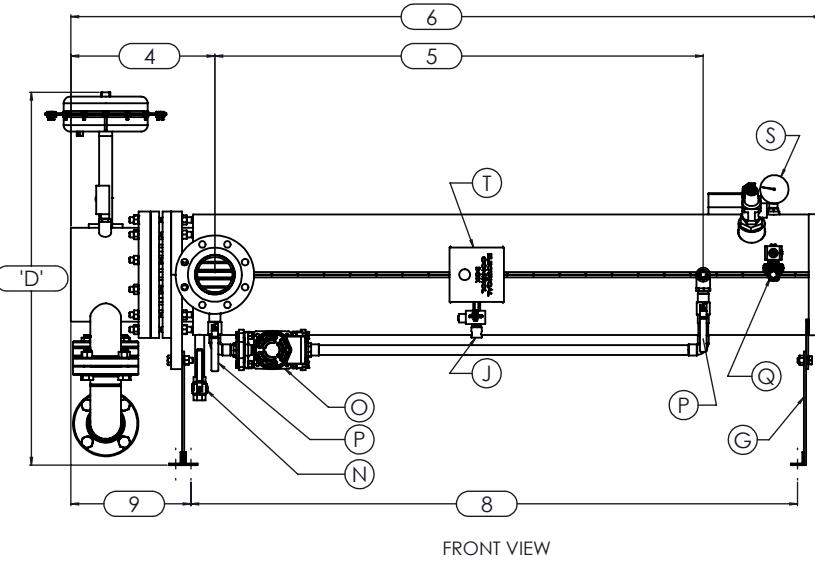
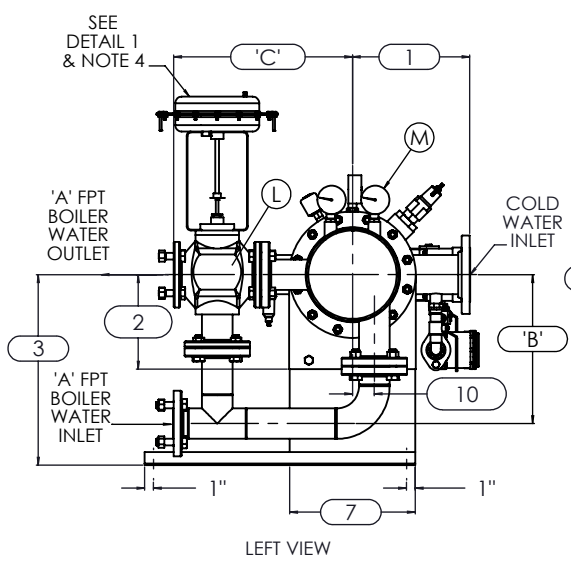


NOTES:

1. REFER TO PRODUCT SPECIFICATION FOR DESCRIPTION OF LETTERED ITEMS.
2. INSTALLATION:
ALL COMPONENTS SHOWN HERE ARE PREWIRED & PREPARED BY ACE HEATERS.
CUSTOMER WILL ONLY NEED TO PLUMB WATER TO BE HEATED, PIPE STEAM AND CONDENSATE LINES, AND BRING ELECTRICITY TO UNIT.
3. DIMENSIONS ARE SUBJECT TO CHANGE.
CONSULT FACTORY FOR TIGHT DIMENSIONS.
4. THIS CONFIGURATION CHANGES FOR VALVE SIZE 1/2" TO 2". SEE DETAIL 1 FOR REFERENCE.

APPROX. EMPTY WT:



	CERTIFIED BY Ace Heaters, LLC www.aceheaters.com
	MAXIMUM ALLOWABLE WORKING PRESSURE
	SHELL <u>150</u> PSI @ <u>210</u> °F
	TUBES <u>150</u> PSI @ <u>370</u> °F
	MIN. D.M.T. <u>0</u> °F @ <u>150</u> PSI
S/N _____ YEAR BUILT _____	
MODEL _____	
CAPACITY _____ GAL SA. _____	
JOB NO. _____ XXX	

Ace Heaters, LLC www.aceheaters.com	
This document contains proprietary information from AHS, LLC. Do not reproduce or distribute without prior written consent of AHS, LLC.	ASME Section VIII Div 1: 2015 Ed. Design Pressure: 150 psig Test Pressure: 195 psig Max Design Temperature: 370°F
SCALE: NA	Filename: SIHDW - COVER
Dwg By: JL	Orig Date: 12/29/15
Rev Date:	Checked By:
MINIPACK SYSTEM - HORIZONTAL - DW WATER 3W - PNEUMATIC OPERATED VALVE PACKAGE	
Dwg #: SIHDWWA-3W	REV 01

A.I:

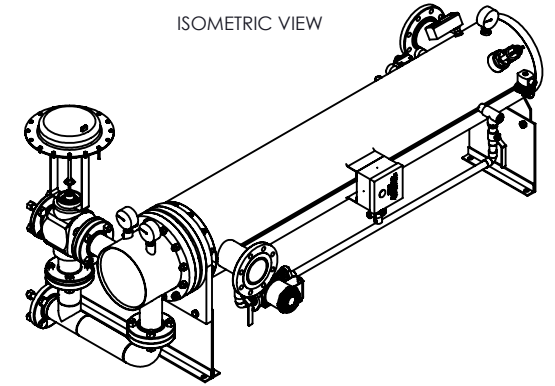
SHEET 1 OF 2

SIHDWWA-3W, DW - WATER - PNEUMATIC 3-WAY MIXING VALVE PACKAGE

MP SIZE	5	6	8	10	12	14	16	
ITEMS	1	10	10 1/2	11 1/2	13 1/2	14 1/2	15 1/2	16 1/2
	2	7 11/16	8 3/16	10 1/8	10 13/16	12 1/2	12 1/4	14
	3	14 7/8	15 3/8	18 5/16	22	26 7/8	26 5/8	28 3/8
	4	13 7/8	14 3/8	15 7/8	16 1/8	17 9/16	21 5/8	24 1/8
	5	55	54 1/2	55 1/4	56	54 1/2	63	66 3/4
	6	80 3/16	81 5/16	83 9/16	85 9/16	88 7/16	100 7/8	106 1/2
	7	8 3/4	9 7/8	11 7/8	14 1/2	16 5/8	18 1/2	20
	8	65 7/8	66 7/8	68	69 1/2	70 11/16	80 5/16	83 7/16
	9	11 3/4	11 3/4	12 5/8	13 3/8	14 3/16	18	19 1/2
	10	1 3/8	1 1/2	2 1/16	2 1/2	3 1/16	3 1/8	3 1/4
	11	64	64	64	64	64	75	80
	12	4 13/16	4 13/16	5 15/16	5 11/16	8 1/8	7 1/4	7 3/8
INLET PIPE SIZE	2 1/2 FLG.	2 1/2 FLG.	3 FLG.	4 FLG.	4 FLG.	5 FLG.	6 FLG.	
OUTLET PIPE SIZE	2 1/2 FLG.	2 1/2 FLG.	3 FLG.	4 FLG.	4 FLG.	5 FLG.	6 FLG.	

VALVE SIZE 'A'	ITEM	VALVE SIZE AND OVERALL LOCATION						
1/2"	'B'	12 7/8	13 3/8	16 1/3	20	24 7/8	24 5/8	26 3/8
	'C'	16 1/16	16 5/16	17 5/16	19 13/16	21 5/16	23 5/16	25 5/16
	'D'	30 11/16	31 3/16	34 1/8	37 13/16	42 11/16	42 7/16	44 3/16
3/4"	'B'	12 5/8	13 1/8	16	19 3/4	24 5/8	24 3/8	26 1/8
	'C'	17 1/16	17 5/16	18 5/16	20 13/16	22 5/16	24 5/16	26 5/16
	'D'	30 11/16	31 3/16	34 1/8	37 13/16	42 11/16	42 7/16	44 3/16
1"	'B'	12 5/8	13 1/8	16 1/16	19 3/4	24 5/8	24 3/8	26 1/8
	'C'	17 1/16	17 5/16	18 5/16	20 13/16	22 5/16	24 5/16	26 5/16
	'D'	30 11/16	31 3/16	34 1/8	37 13/16	42 11/16	42 7/16	44 3/16
1 1/4"	'B'	12 3/8	12 7/8	15 4/5	19 1/2	24 3/8	24 1/8	25 7/8
	'C'	17 1/16	17 5/16	18 5/16	20 13/16	22 5/16	24 5/16	26 5/16
	'D'	30 11/16	31 3/16	34 1/8	37 13/16	42 11/16	42 7/16	44 3/16
1 1/2"	'B'	11 7/8	12 3/8	15 5/16	19	23 7/8	23 5/8	25 3/8
	'C'	17 1/16	17 5/16	18 5/16	20 13/16	22 5/16	24 5/16	26 5/16
	'D'	31 7/16	31 15/16	34 7/8	38 9/16	43 7/16	43 3/16	44 15/16
2"	'B'	10 7/8	11 3/8	14 5/16	18	22 7/8	22 5/8	24 3/8
	'C'	18 7/16	18 11/16	19 11/16	22 3/16	23 11/16	25 11/16	27 11/16
	'D'	33 1/8	33 5/8	36 9/16	40 1/4	45 1/8	44 7/8	46 5/8
2 1/2"	'B'	10 7/8	11 3/8	14 5/16	18	22 7/8	22 5/8	24 3/8
	'C'	15 3/4	16	17	19 1/2	21	23	25
	'D'	33 7/8	34 3/8	37 5/16	41	45 7/8	45 5/8	47 3/8
3"	'B'	N/A	11 1/8	14 1/16	17 3/4	22 5/8	22 3/8	24 1/8
	'C'		17	18	20 1/2	22	24	26
	'D'		36 1/4	39 3/16	42 7/8	47 3/4	47 1/2	49 1/4
4"	'B'	N/A	N/A	13 5/16	17	21 7/8	21 5/8	23 3/8
	'C'			21	23 1/2	25	27	29
	'D'			41 3/16	44 7/8	49 3/4	49 1/2	51 1/4
5"	'B'	N/A	N/A	16	20 7/8	20 5/8	22 3/8	
	'C'			26 1/4	27 3/4	29 3/4	31 3/4	
	'D'			44 7/8	49 3/4	49 1/2	51 1/4	

ISOMETRIC VIEW



NOTES:

- 1/ DIMENSIONS IN INCHES, AND SUBJECT TO CHANGE WITHOUT NOTICE.
- 2/ DIM 'B', 'C', 'D' ARE TO BE APPROXIMATED ONLY, CONSULT FACTORY FOR TIGHT DIMENSIONS.

Ace Heaters, LLC
www.aceheaters.com

This document contains proprietary information from AHS, LLC. Do not reproduce or distribute without prior written consent of AHS, LLC.		ASME Section VIII Div 1: 2015 Ed. Design Pressure: 150 psig Test Pressure: 195 psig Max Design Temperature: 370°F	A.I.
SCALE: NA	Filename: SIHDW - COVER	SHEET 2 OF 2	
Dwg By: JL	Orig Date: 12/29/15	Rev Date:	Checked By:
MINIPACK SYSTEM - HORIZONTAL - DW WATER 3W - PNEUMATIC OPERATED VALVE PACKAGE			
Dwg #: SIHDWWA-3W	SO:	REV 01	