

NOTES:

1. REFER TO PRODUCT SPECIFICATION FOR DESCRIPTION OF LETTERED ITEMS.
2. INSTALLATION:
ALL COMPONENTS SHOWN HERE ARE PREWIRED & PREPIPED BY ACE HEATERS CUSTOMER WILL ONLY NEED TO PLUMB WATER TO BE HEATED, PIPE STEAM AND CONDENSATE LINES, AND BRING ELECTRICITY TO UNIT.
3. DIMENSIONS ARE APPROXIMATED IN INCHES, AND SUBJECT TO CHANGE WITHOUT NOTICE CONSULT FACTORY FOR TIGHT DIMENSIONS.
4. THIS CONFIGURATION HAS EITHER TYPE "LE" OR "LS", AND THREAD CONNECTION FOR VALVE SIZE 1/2" TO 2". 2.5" TO 4" SIZES HAVE FLANGE CONNECTION.

APPROX. EMPTY WT:

CLEARANCE FOR BUNDLE REMOVAL FROM SHELL FLANGE

4 x Ø 1/2" BOLT HOLE

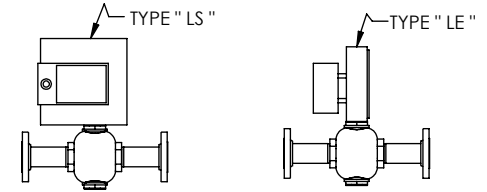
HOT WATER OUTLET

NAME PLATE

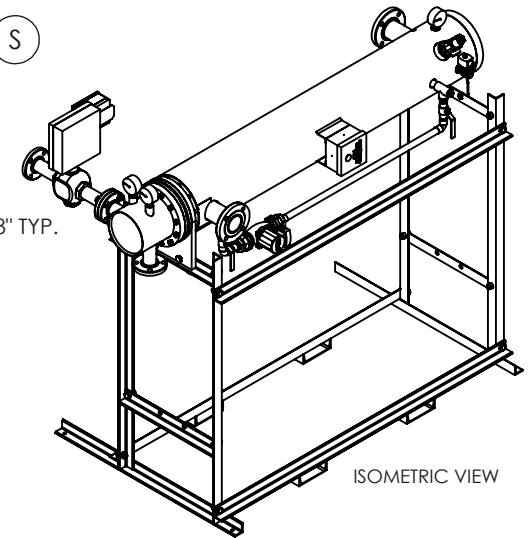
COLD WATER INLET

1" FPT

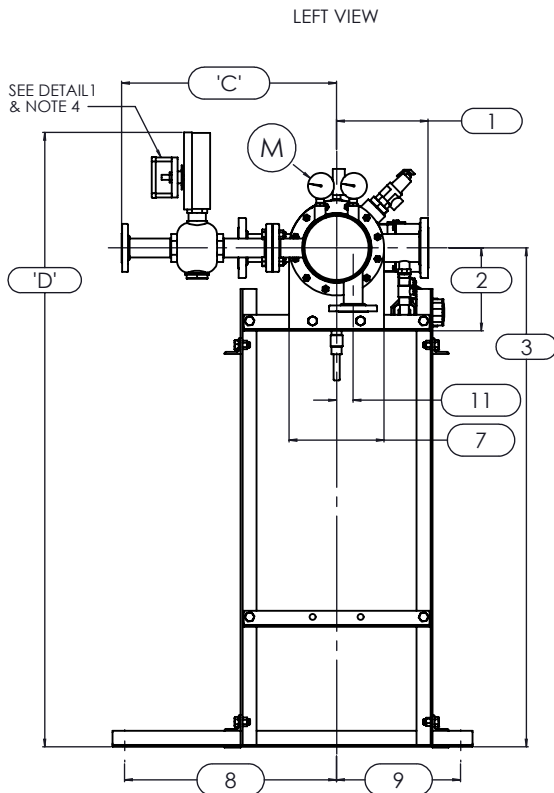
PIPE TO SAFE AREA



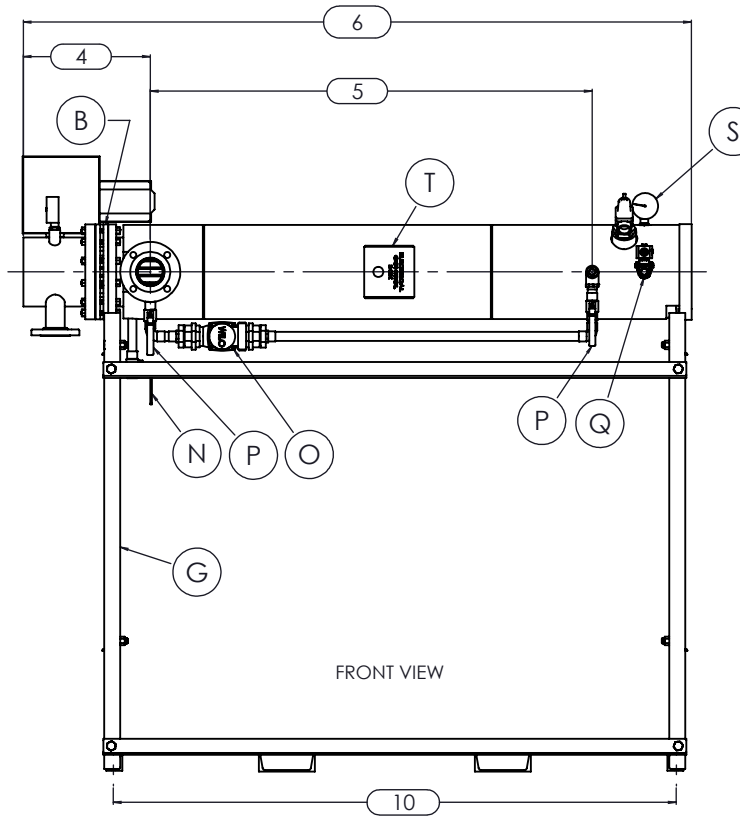
DETAIL 1



ISOMETRIC VIEW



LEFT VIEW



FRONT VIEW

	CERTIFIED BY <i>Ace Heaters, LLC</i> www.aceheaters.com
	MAXIMUM ALLOWABLE WORKING PRESSURE SHELL <u>150</u> PSI @ <u>210</u> °F TUBES <u>150</u> PSI @ <u>370</u> °F MIN. D.M.T. <u>0</u> °F @ <u>150</u> PSI S/N _____ YEAR BUILT _____
	MODEL _____
	CAPACITY _____ GAL SA. _____
	JOB NO. _____ XXX

Ace Heaters, LLC
www.aceheaters.com

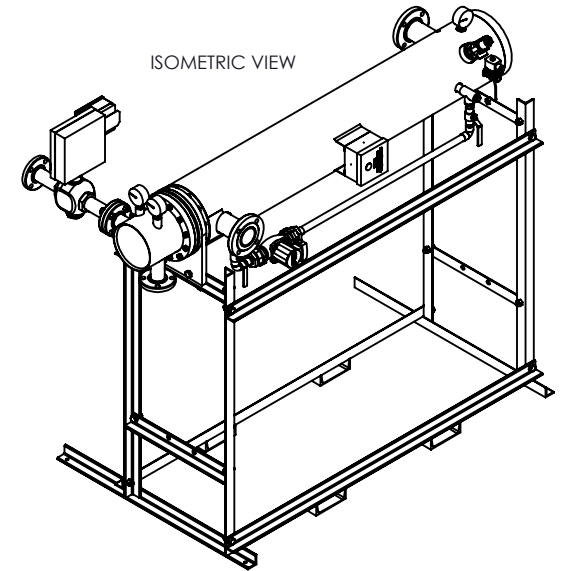
This document contains proprietary information from AHS, LLC. Do not reproduce or distribute without prior written consent of AHS, LLC.		ASME Section VIII Div 1: 2015 Ed. Design Pressure: 150 psig Test Pressure: 195 psig Max Design Temperature: 370°F	A.I:
SCALE: NA	Filename: SIHDW - COVER	SHEET 1 OF 2	
Dwg By: JL	Orig Date: 12/30/15	Rev Date:	Checked By:
MINIPACK SYSTEM - HORIZONTAL - DW 2W WATER - WARREN ELECT. VALVE PACKAGE - SINGLE UNIT ON DUAL RACK			
Dwg #: SIHDWE-1-DR-WARREN	SO:	REV 01	

SIHDWWE-1DR - DIM, DW - WATER - ELECTRIC WARREN 2-WAY MIXING VALVE PACKAGE, SINGLE UNIT ON RACK

MP SIZE	5	6	8	10	12	14	16
---------	---	---	---	----	----	----	----

ITEMS	1	10	10 1/2	11 1/2	13 1/2	14 1/2	15 1/2	16 1/2
	2	7 11/16	8 3/16	10 1/8	10 13/16	12 1/2	12 1/4	14
	3	59 15/16	60 7/16	62 3/8	76 1/16	77 3/4	77 1/2	79 1/4
	4	13 7/8	14 3/8	15 7/8	16 1/8	17 9/16	21 5/8	24 1/8
	5	55	54 1/2	55 1/4	56	54 1/2	63	66 3/4
	6	80 3/16	81 5/16	83 9/16	85 9/16	88 7/16	100 7/8	106 1/2
	7	8 3/4	9 7/8	11 7/8	14 1/2	16 5/8	18 1/2	20
	8	26 1/2	26 1/2	26 1/2	26 1/2	26 1/2	26 1/2	26 1/2
	9	15 1/2	15 1/2	15 1/2	15 1/2	15 1/2	15 1/2	15 1/2
	10	68 1/4	69 3/8	70 3/8	71 7/8	74 5/16	82 15/16	82 15/16
	11	1 3/8	1 1/2	2 1/16	2 1/2	3 1/16	3 1/8	3 1/4
	12	64	64	64	64	64	75	80
	13	4 13/16	4 13/16	5 15/16	5 11/16	8 1/8	7 1/4	7 3/8
INLET PIPE SIZE		2 1/2	2 1/2	3 FLG.	4 FLG.	4 FLG.	5 FLG.	6 FLG.
OUTLET PIPE SIZE		2 1/2	2 1/2	3 FLG.	4 FLG.	4 FLG.	5 FLG.	6 FLG.

VALVE SIZE 'A'	ITEM	VALVE SIZE AND OVERALL LOCATION						
1/2"	'C'	16 1/16	16 5/16	17 5/16	19 13/16	21 5/16	23 5/16	25 5/16
	'D'	75 3/4	76 1/4	78 3/16	91 7/8	93 9/16	93 5/16	95 1/16
3/4"	'C'	17 1/16	17 5/16	18 5/16	20 13/16	22 5/16	24 5/16	26 5/16
	'D'	75 3/4	76 1/4	78 3/16	91 7/8	93 9/16	93 5/16	95 1/16
1"	'C'	17 1/16	17 5/16	18 5/16	20 13/16	22 5/16	24 5/16	26 5/16
	'D'	75 3/4	76 1/4	78 3/16	91 7/8	93 9/16	93 5/16	95 1/16
1 1/4"	'C'	17 1/16	17 5/16	18 5/16	20 13/16	22 5/16	24 5/16	26 5/16
	'D'	75 3/4	76 1/4	78 3/16	91 7/8	93 9/16	93 5/16	95 1/16
1 1/2"	'C'	17 1/16	17 5/16	18 5/16	20 13/16	22 5/16	24 5/16	26 5/16
	'D'	76 1/2	77	78 15/16	92 5/8	94 5/16	94 1/16	95 13/16
2"	'C'	18 7/16	18 11/16	19 11/16	22 3/16	23 11/16	25 11/16	27 11/16
	'D'	78 3/16	78 11/16	80 5/8	94 5/16	96	95 3/4	97 1/2
2 1/2"	'C'	15 3/4	16	17	19 1/2	21	23	25
	'D'	78 15/16	79 7/16	81 3/8	95 1/16	96 3/4	96 1/2	98 1/4
3"	'C'	N/A	17	18	20 1/2	22	24	26
	'D'	N/A	81 5/16	83 1/4	96 15/16	98 5/8	98 3/8	100 1/8
4"	'C'	N/A	N/A	21	23 1/2	25	27	29
	'D'	N/A	N/A	85 1/4	98 15/16	100 5/8	100 3/8	102 1/8
5"	'C'	N/A	N/A	N/A	26 1/4	27 3/4	29 3/4	31 3/4
	'D'	N/A	N/A	N/A	98 15/16	100 5/8	100 3/8	102 1/8



NOTES:

- 1/ DIMENSIONS IN INCHES, AND SUBJECT TO CHANGE WITHOUT NOTICE.
- 2/ DIM 'B', 'C', 'D' ARE TO BE APPROXIMATED ONLY, CONSULT FACTORY FOR TIGHT DIMENSIONS.

Ace Heaters, LLC www.aceheaters.com		
This document contains proprietary information from AHS, LLC. Do not reproduce or distribute without prior written consent of AHS, LLC.	ASME Section VIII Div 1: 2015 Ed. Design Pressure: 150 psig Test Pressure: 195 psig Max Design Temperature: 370°F	A.I.:
SCALE: NA	Filename: SIHDW - COVER	SHEET 2 OF 2
Dwg By: JL	Orig Date: 12/30/15	Rev Date: _____ Checked By: _____
MINIPACK SYSTEM - HORIZONTAL - DW 2W WATER - WARREN ELECT. VALVE PACKAGE - SINGLE UNIT ON DUAL RACK		
Dwg #: SIHDWWE-1-DR-WARREN	SO: _____	REV 01