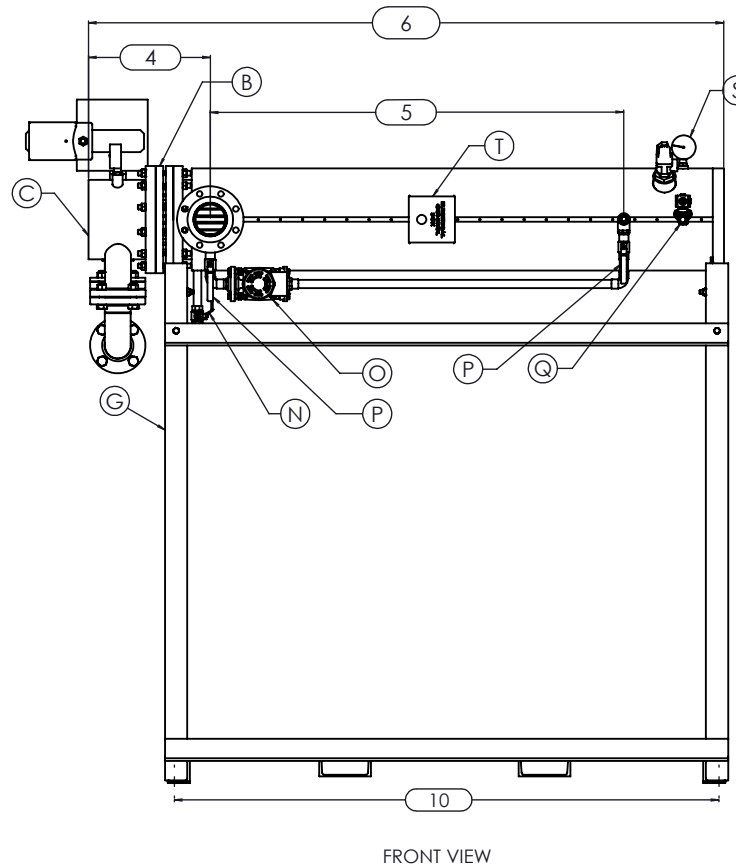
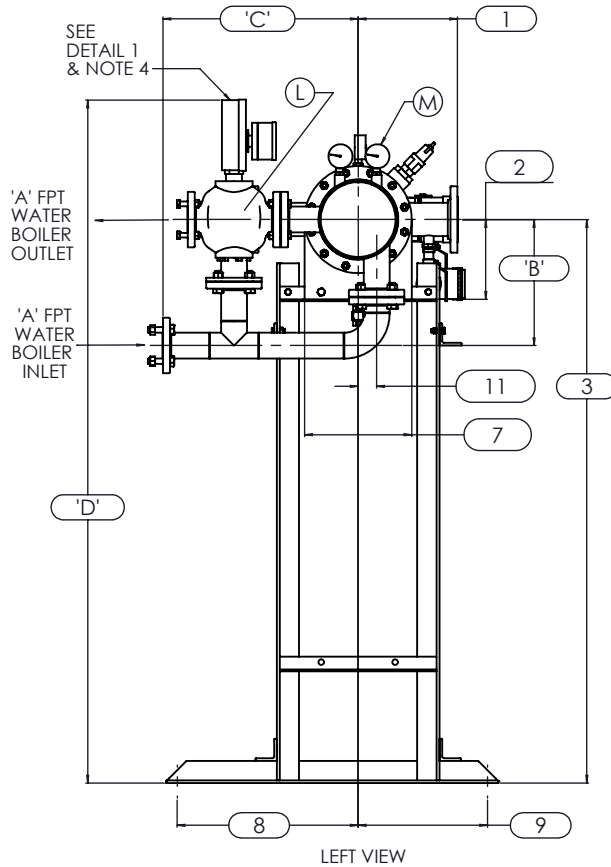


NOTES:

- REFER TO PRODUCT SPECIFICATION FOR DESCRIPTION OF LETTERED ITEMS.
- INSTALLATION:
ALL COMPONENTS SHOWN HERE ARE PREWIRED & PREPARED BY ACE HEATERS CUSTOMER WILL ONLY NEED TO PLUMB WATER TO BE HEATED, PIPE STEAM AND CONDENSATE LINES, AND BRING ELECTRICITY TO UNIT.
- DIMENSIONS ARE SUBJECT TO CHANGE. CONSULT FACTORY FOR TIGHT DIMENSIONS.
- THIS CONFIGURATION CHANGES FOR VALVE SIZE 1/2" TO 2". SEE DETAIL 1 FOR REFERENCE.

APPROX. EMPTY WT:



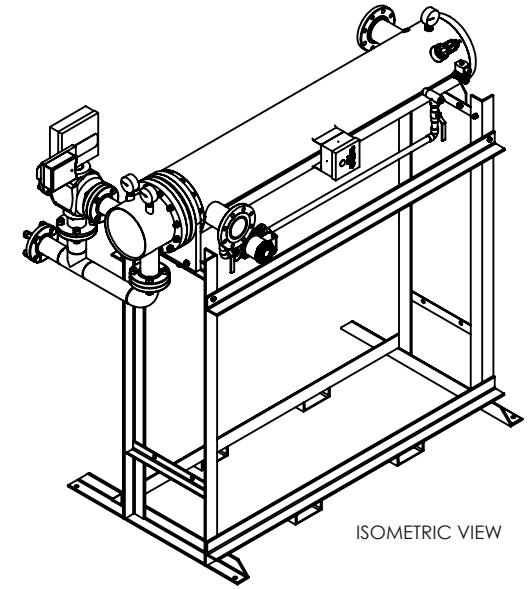
	CERTIFIED BY Ace Heaters, LLC www.aceheaters.com
	MAXIMUM ALLOWABLE WORKING PRESSURE SHELL _150_ PSI @ _210_ °F TUBES _150_ PSI @ _370_ °F MIN. D.M.T. _ °F @ _150_ PSI S/N _____ YEAR BUILT _____
MODEL _____ CAPACITY _____ GAL SA. _____ JOB NO. _____ XXX	

Ace Heaters, LLC www.aceheaters.com		
This document contains proprietary information from AHS, LLC. Do not reproduce or distribute without prior written consent of AHS, LLC.	ASME Section VIII Div 1: 2015 Ed. Design Pressure: 150 psig Test Pressure: 195 psig Max Design Temperature: 370°F	A.I:
SCALE: NA	Filename: SIHDW - COVER	SHEET 1 OF 2
Dwg By: JL	Orig Date: 12/30/15	Rev Date: _____ Checked By: _____
MINIPACK SYSTEM - HORIZONTAL - DW 3W WATER - WARREN ELECT. VALVE PACKAGE - SINGLE UNIT ON DUAL RACK		
Dwg #: SIHDWWE-1-DR-3W-WARREN	SO: _____	REV 01

SIHDW W E-3W -W ARREN, DW -W ATER-W ARREN ELECTRIC 3-W AY MIXING VALVE PACKAGE - SINGLE UNIT ON RACK

		MP SIZE	5	6	8	10	12	14	16
DIMENSION	ITEMS	1	10	10 1/2	11 1/2	13 1/2	14 1/2	15 1/2	16 1/2
		2	7 11/16	8 3/16	10 1/8	10 13/16	12 1/2	12 1/4	14
		3	59 15/16	60 7/16	62 3/8	76 1/16	77 3/4	77 1/2	79 1/4
		4	13 7/8	14 3/8	15 7/8	16 1/8	17 9/16	21 5/8	24 1/8
		5	55	54 1/2	55 1/4	56	54 1/2	63	66 3/4
		6	80 3/16	81 5/16	83 9/16	85 9/16	88 7/16	100 7/8	106 1/2
		7	8 3/4	9 7/8	11 7/8	14 1/2	16 5/8	18 1/2	20
		8	26 1/2	26 1/2	26 1/2	26 1/2	26 1/2	26 1/2	26 1/2
		9	15 1/2	15 1/2	15 1/2	15 1/2	15 1/2	15 1/2	15 1/2
		10	68 1/4	69 3/8	70 3/8	71 7/8	74 5/16	82 15/16	82 15/16
		11	1 3/8	1 1/2	2 1/16	2 1/2	3 1/16	3 1/8	3 1/4
		12	64	64	64	64	64	75	80
		13	4 13/16	4 13/16	5 15/16	5 11/16	8 1/8	7 1/4	7 3/8
INLET PIPE SIZE			2 1/2 FLG.	2 1/2 FLG.	3 FLG.	4 FLG.	4 FLG.	5 FLG.	6 FLG.
OUTLET PIPE SIZE			2 1/2 FLG.	2 1/2 FLG.	3 FLG.	4 FLG.	4 FLG.	5 FLG.	6 FLG.

VALVE SIZE 'A'	ITEM	VALVE SIZE AND OVERALL LOCATION							
1/2"	'B'	58	58 4/9	60 3/8	74	75 3/4	75 1/2	77 1/4	
	'C'	16 3/16	16 7/16	17 7/16	19 15/16	21 7/16	23 7/16	25 7/16	
	'D'	73 3/4	74 1/4	76 3/16	89 7/8	91 9/16	91 5/16	93 1/16	
3/4"	'B'	57 2/3	58 1/5	60 1/8	73 4/5	75 1/2	75 1/4	77	
	'C'	16 3/16	16 7/16	17 7/16	19 15/16	21 7/16	23 7/16	25 7/16	
	'D'	73 3/4	74 1/4	76 3/16	89 7/8	91 9/16	91 5/16	93 1/16	
1"	'B'	57 11/16	58 3/16	60 1/8	73 13/16	75 1/2	75 1/4	77	
	'C'	17 3/16	17 7/16	18 7/16	20 15/16	22 7/16	24 7/16	26 7/16	
	'D'	73 3/4	74 1/4	76 3/16	89 7/8	91 9/16	91 5/16	93 1/16	
1 1/4"	'B'	57 4/9	58	59 7/8	73 4/7	75 1/4	75	76 3/4	
	'C'	18 1/2	18 3/4	19 3/4	22 1/4	23 3/4	25 3/4	27 3/4	
	'D'	74 3/8	74 7/8	76 13/16	90 1/2	92 3/16	91 15/16	93 11/16	
1 1/2"	'B'	56 15/16	57 7/16	59 3/8	73 1/16	74 3/4	74 1/2	76 1/4	
	'C'	18 1/2	18 3/4	19 3/4	22 1/4	23 3/4	25 3/4	27 3/4	
	'D'	74 3/8	74 7/8	76 13/16	90 1/2	92 3/16	91 15/16	93 11/16	
2"	'B'	55 15/16	56 7/16	58 3/8	72 1/16	73 3/4	73 1/2	75 1/4	
	'C'	19 7/16	19 11/16	20 11/16	23 3/16	24 11/16	26 11/16	28 11/16	
	'D'	74 3/8	74 7/8	76 13/16	90 1/2	92 3/16	91 15/16	93 11/16	
2 1/2"	'B'	55 15/16	56 7/16	58 3/8	72 1/16	73 3/4	73 1/2	75 1/4	
	'C'	19 3/8	19 5/8	20 5/8	23 1/8	24 5/8	26 5/8	28 5/8	
	'D'	59 15/16	60 7/16	62 3/8	76 1/16	77 3/4	77 1/2	79 1/4	
3"	'B'		56 3/16	58 1/8	71 13/16	73 1/2	73 1/4	75	
	'C'	N/A	19 5/8	20 5/8	23 1/8	24 5/8	26 5/8	28 5/8	
	'D'		76 11/16	78 5/8	92 5/16	94	93 3/4	95 1/2	
4"	'B'			57 3/8	71 1/16	72 3/4	72 1/2	74 1/4	
	'C'	N/A	N/A	20 11/16	23 3/16	24 11/16	26 11/16	28 11/16	
	'D'			77 5/8	91 5/16	93	92 3/4	94 1/2	
5"	'B'				70	71 3/4	71 1/2	73 1/4	
	'C'	N/A	N/A	N/A	23 3/16	24 11/16	26 11/16	28 11/16	
	'D'				91 5/16	93	92 3/4	94 1/2	



- NOTES:
- 1/ DIMENSIONS IN INCHES, AND SUBJECT TO CHANGE WITHOUT NOTICE.
 - 2/ DIM 'B', 'C', 'D' ARE TO BE APPROXIMATED ONLY, CONSULT FACTORY FOR TIGHT DIMENSIONS.

Ace Heaters, LLC www.aceheaters.com		
This document contains proprietary information from AHS, LLC. Do not reproduce or distribute without prior written consent of AHS, LLC.	ASME Section VIII Div 1: 2015 Ed. Design Pressure: 150 psig Test Pressure: 195 psig Max Design Temperature: 370°F	A.I:
SCALE: NA	Filename: SIHDW - COVER	SHEET 2 OF 2
Dwg By: JL	Orig Date: 12/30/15	Rev Date: Checked By:
MINIPACK SYSTEM - HORIZONTAL - DW 3W WATER - WARREN ELECT. VALVE PACKAGE - SINGLE UNIT ON DUAL RACK		
Dwg #: SIHDWWE-1-DR-3W-WARREN	SO:	REV 01