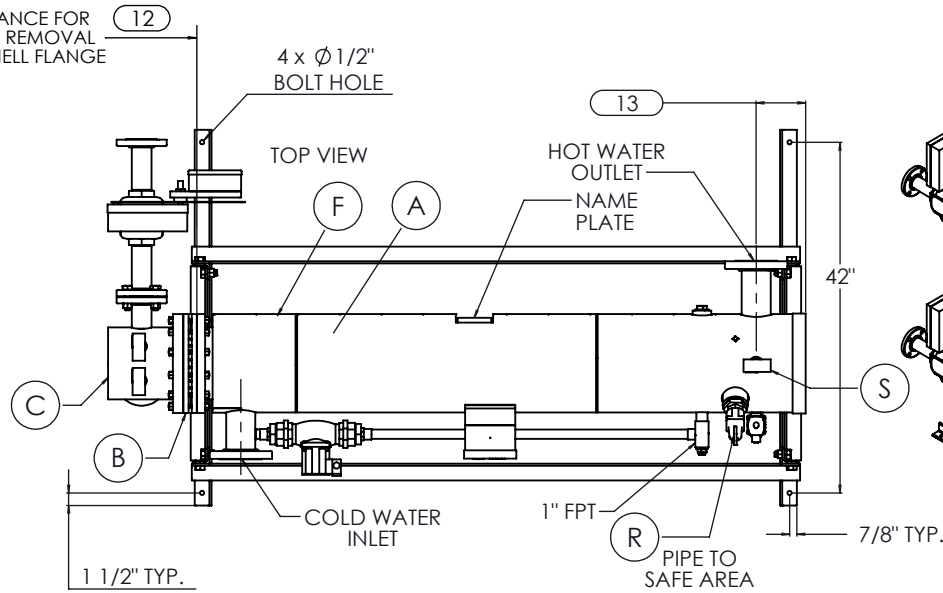


NOTES:

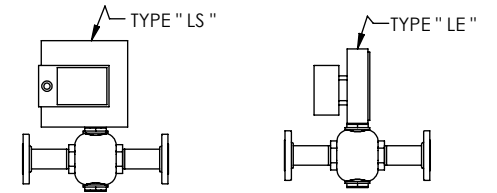
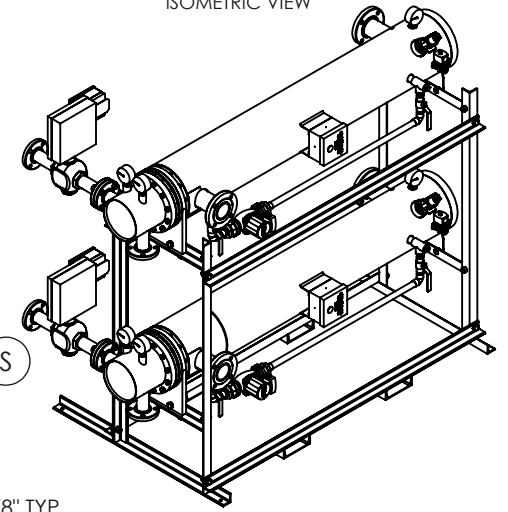
- REFER TO PRODUCT SPECIFICATION FOR DESCRIPTION OF LETTERED ITEMS.
- INSTALLATION:  
ALL COMPONENTS SHOWN HERE ARE PREWIRED & PREPIPED BY ACE HEATERS CUSTOMER WILL ONLY NEED TO PLUMB WATER TO BE HEATED, PIPE STEAM AND CONDENSATE LINES, AND BRING ELECTRICITY TO UNIT.
- DIMENSIONS ARE APPROXIMATED IN INCHES, AND SUBJECT TO CHANGE WITHOUT NOTICE CONSULT FACTORY FOR TIGHT DIMENSIONS.
- THIS CONFIGURATION HAS EITHER TYPE "LE" OR "LS" AND THREAD CONNECTION FOR VALVE SIZE 1/2" TO 2". 2.5" TO 4" SIZES HAVE FLANGE CONNECTION.

APPROX. EMPTY WT:

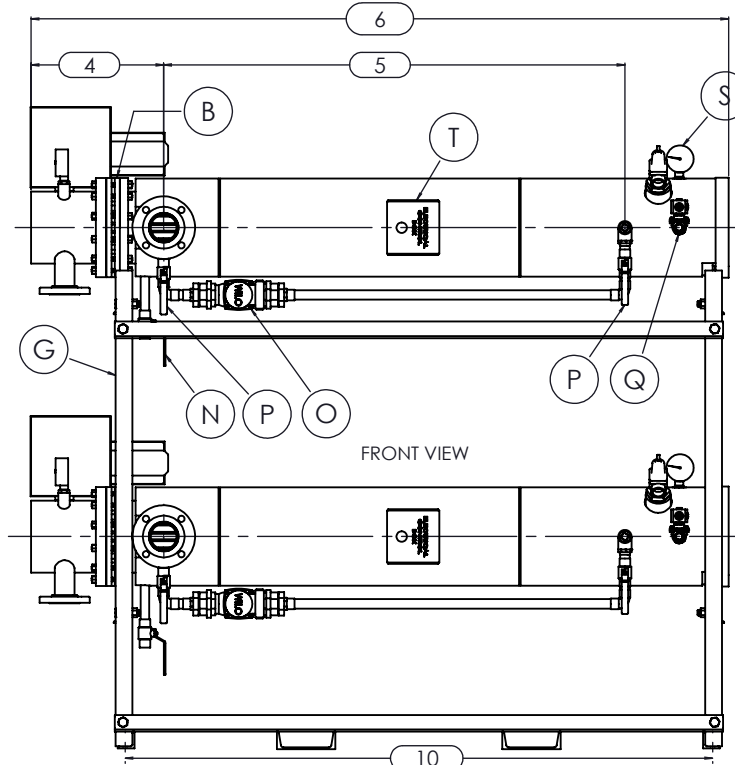
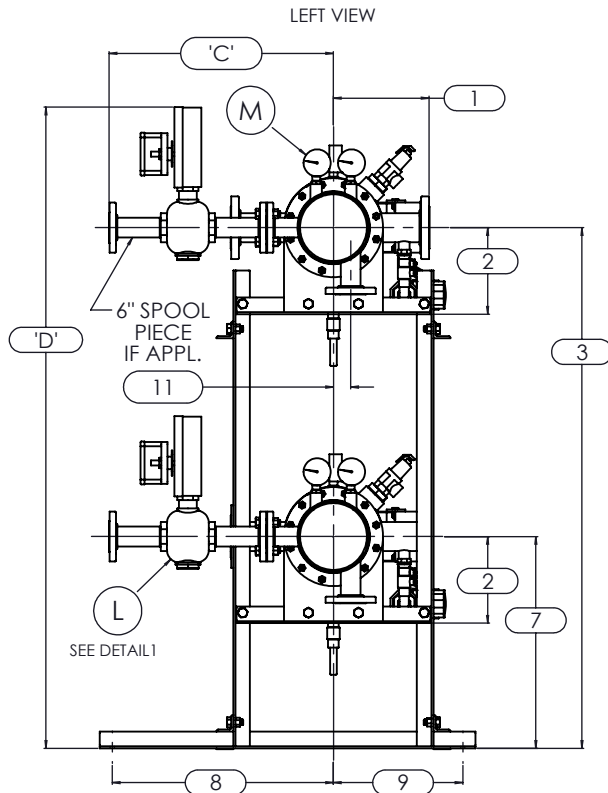
CLEARANCE FOR BUNDLE REMOVAL FROM SHELL FLANGE



ISOMETRIC VIEW



DETAIL 1



	CERTIFIED BY	
	<i>Ace Heaters, LLC</i> www.aceheaters.com	
	MAXIMUM ALLOWABLE WORKING PRESSURE	
	SHELL	150 PSI @ 210 °F
	TUBES	150 PSI @ 370 °F
	MIN. D.M.T.	0 °F @ 150 PSI
S/N	YEAR BUILT	
MODEL		
CAPACITY	GAL SA.	
JOB NO.	XXX	

**Ace Heaters, LLC**  
www.aceheaters.com

This document contains proprietary information from AHS, LLC. Do not reproduce or distribute without prior written consent of AHS, LLC.	ASME Section VIII Div 1: 2015 Ed. Design Pressure: 150 psig Test Pressure: 195 psig Max Design Temperature: 370°F	A.I.:
SCALE: NA	Filename: SIHDW - COVER	SHEET 1 OF 2
Dwg By: JL	Orig Date: 12/30/15	Rev Date:
	Checked By:	

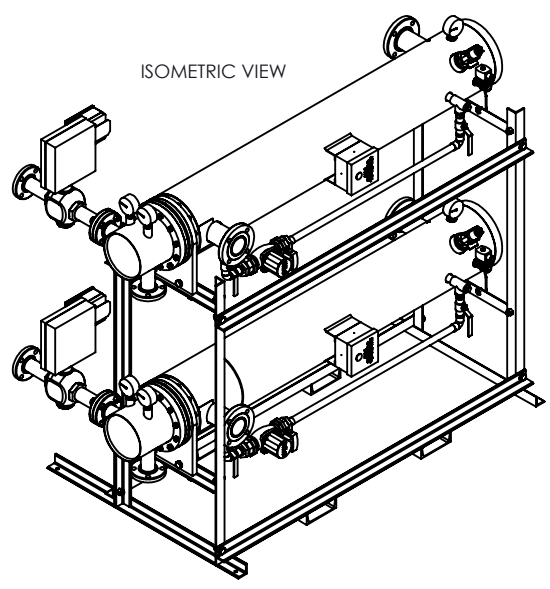
<b>MINIPACK SYSTEM - HORIZONTAL - DW</b>		
2W WATER - WARREN ELECT. VALVE PACKAGE - DUAL UNIT ON DUAL RACK		
Dwg #: SIHDWE-2-DR-WARREN	SO:	REV 01

SIHDWWE- 2-DR - DIM, DW - WATER ELECTRIC WARREN 2-WAY MIXING VALVE PACKAGE, DUAL UNIT ON RACK

MP SIZE	5	6	8	10	12	14	16
---------	---	---	---	----	----	----	----

DIMENSION	ITEMS	1	10	10 1/2	11 1/2	13 1/2	14 1/2	15 1/2	16 1/2
		2	7 11/16	8 3/16	10 1/8	10 13/16	12 1/2	12 1/4	14
		3	59 15/16	60 7/16	62 3/8	76 1/16	77 3/4	77 1/2	79 1/4
		4	13 7/8	14 3/8	15 7/8	16 1/8	17 9/16	21 5/8	24 1/8
		5	55	54 1/2	55 1/4	56	54 1/2	63	66 3/4
		6	80 3/16	81 5/16	83 9/16	85 9/16	88 7/16	100 7/8	106 1/2
		7	22 15/16	23 7/16	25 3/8	26 3/16	27 7/8	27 5/8	29 3/8
		8	26 1/2	26 1/2	26 1/2	26 1/2	26 1/2	26 1/2	26 1/2
		9	15 1/2	15 1/2	15 1/2	15 1/2	15 1/2	15 1/2	15 1/2
		10	68 1/4	69 3/8	70 3/8	71 7/8	74 5/16	82 15/16	82 15/16
		12	1 3/8	1 1/2	2 1/16	2 1/2	3 1/16	3 1/8	3 1/4
		13	64	64	64	64	64	75	80
		12	4 13/16	4 13/16	5 15/16	5 11/16	8 1/8	7 1/4	7 3/8
INLET PIPE SIZE			2 1/2 FLG.	2 1/2 FLG.	3 FLG.	4 FLG.	4 FLG.	5 FLG.	6 FLG.
OUTLET PIPE SIZE			2 1/2 FLG.	2 1/2 FLG.	3 FLG.	4 FLG.	4 FLG.	5 FLG.	6 FLG.

VALVE SIZE 'A'	ITEM	VALVE SIZE AND OVERALL LOCATION							
1/2"	'C'	16 1/16	16 5/16	17 5/16	19 13/16	21 5/16	23 5/16	25 5/16	
	'D'	75 3/4	76 1/4	78 3/16	91 7/8	93 9/16	93 5/16	95 1/16	
3/4"	'C'	17 1/16	17 5/16	18 5/16	20 13/16	22 5/16	24 5/16	26 5/16	
	'D'	75 3/4	76 1/4	78 3/16	91 7/8	93 9/16	93 5/16	95 1/16	
1"	'C'	17 1/16	17 5/16	18 5/16	20 13/16	22 5/16	24 5/16	26 5/16	
	'D'	75 3/4	76 1/4	78 3/16	91 7/8	93 9/16	93 5/16	95 1/16	
1 1/4"	'C'	17 1/16	17 5/16	18 5/16	20 13/16	22 5/16	24 5/16	26 5/16	
	'D'	75 3/4	76 1/4	78 3/16	91 7/8	93 9/16	93 5/16	95 1/16	
1 1/2"	'C'	17 1/16	17 5/16	18 5/16	20 13/16	22 5/16	24 5/16	26 5/16	
	'D'	76 1/2	77	78 15/16	92 5/8	94 5/16	94 1/16	95 13/16	
2"	'C'	18 7/16	18 11/16	19 11/16	22 3/16	23 11/16	25 11/16	27 11/16	
	'D'	78 3/16	78 11/16	80 5/8	94 5/16	96	95 3/4	97 1/2	
2 1/2"	'C'	15 3/4	16	17	19 1/2	21	23	25	
	'D'	78 15/16	79 7/16	81 3/8	95 1/16	96 3/4	96 1/2	98 1/4	
3"	'C'	N/A	17	18	20 1/2	22	24	26	
	'D'	N/A	81 5/16	83 1/4	96 15/16	98 5/8	98 3/8	100 1/8	
4"	'C'	N/A	N/A	21	23 1/2	25	27	29	
	'D'	N/A	N/A	85 1/4	98 15/16	100 5/8	100 3/8	102 1/8	
5"	'C'	N/A	N/A	N/A	26 1/4	27 3/4	29 3/4	31 3/4	
	'D'	N/A	N/A	N/A	98 15/16	100 5/8	100 3/8	102 1/8	



- NOTES:
- 1/ DIMENSIONS IN INCHES, AND SUBJECT TO CHANGE WITHOUT NOTICE.
  - 2/ DIM 'C', 'D' ARE TO BE APPROXIMATED ONLY, CONSULT FACTORY FOR TIGHT DIMENSIONS.

<b>Ace Heaters, LLC</b> www.aceheaters.com		
This document contains proprietary information from AHS, LLC. Do not reproduce or distribute without prior written consent of AHS, LLC.	ASME Section VIII Div 1: 2015 Ed. Design Pressure: 150 psig Test Pressure: 195 psig Max Design Temperature: 370°F	A.I:
SCALE: NA	Filename: SIHDW - COVER	SHEET 2 OF 2
Dwg By: JL	Orig Date: 12/30/15	Rev Date: Checked By:
<b>MINIPACK SYSTEM - HORIZONTAL - DW</b> 2W WATER - WARREN ELECT. VALVE PACKAGE - DUAL UNIT ON DUAL RACK		
Dwg #: SIHDWWE-2-DR-WARREN	SO:	REV 01