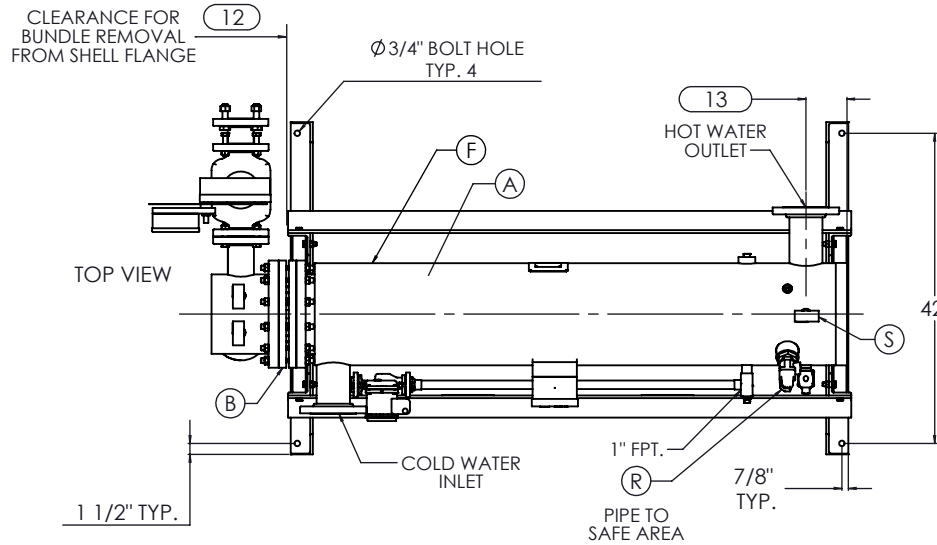
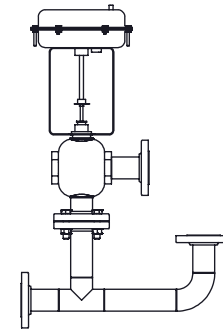


ISOMETRIC VIEW



TOP VIEW

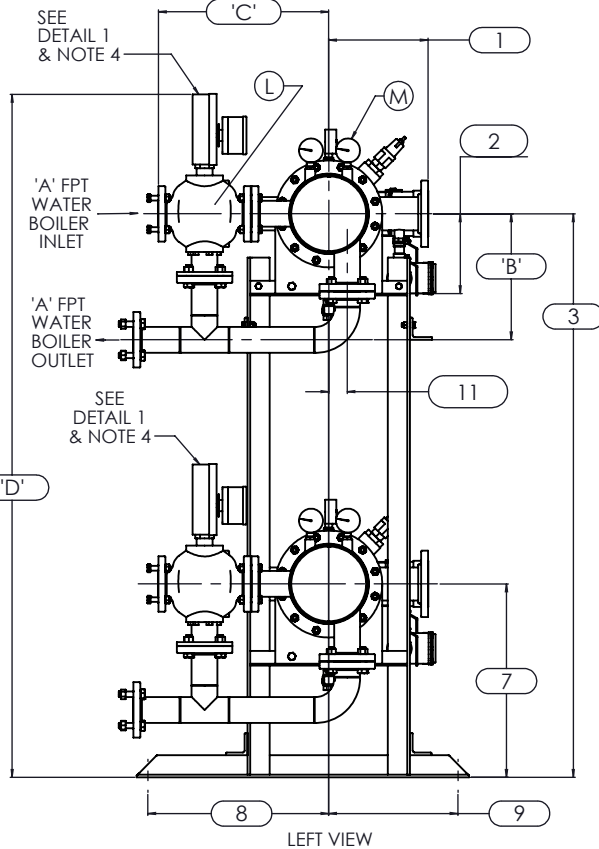


DETAIL 1

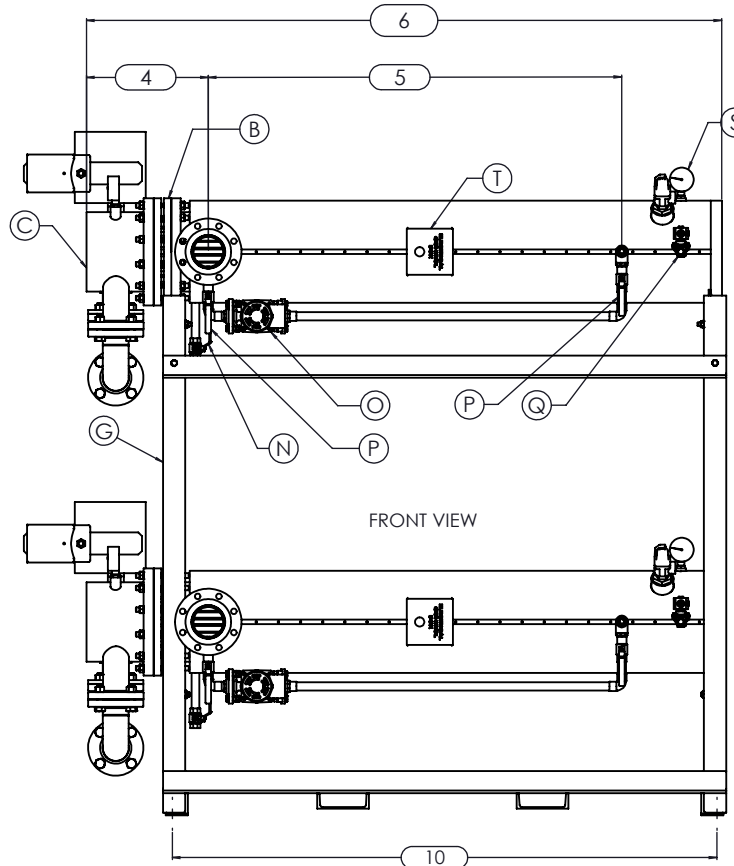
NOTES:

- REFER TO PRODUCT SPECIFICATION FOR DESCRIPTION OF LETTERED ITEMS.
- INSTALLATION: ALL COMPONENTS SHOWN HERE ARE PREWIRED & PREPARED BY ACE HEATERS. CUSTOMER WILL ONLY NEED TO PLUMB WATER TO BE HEATED, PIPE STEAM AND CONDENSATE LINES, AND BRING ELECTRICITY TO UNIT.
- DIMENSIONS ARE SUBJECT TO CHANGE. CONSULT FACTORY FOR TIGHT DIMENSIONS.
- THIS CONFIGURATION CHANGES FOR VALVE SIZE 1/2" TO 2". SEE DETAIL 1 FOR REFERENCE.

APPROX. EMPTY WT:



LEFT VIEW



FRONT VIEW

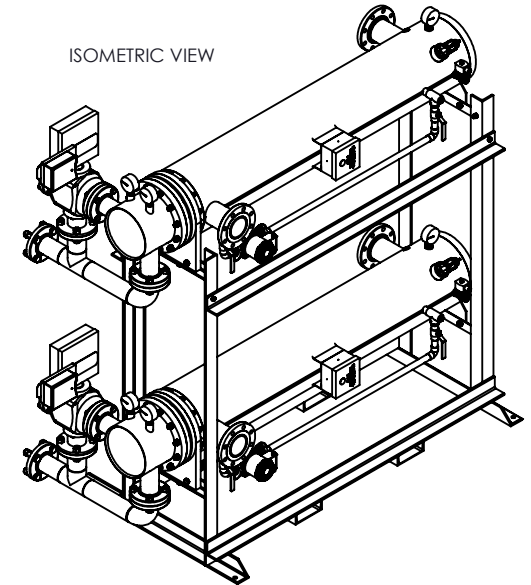
	CERTIFIED BY <b>Ace Heaters, LLC</b> www.aceheaters.com	
	MAXIMUM ALLOWABLE WORKING PRESSURE SHELL <u>150</u> PSI @ <u>210</u> °F TUBES <u>150</u> PSI @ <u>370</u> °F MIN. D.M.T. <u>0</u> °F @ <u>150</u> PSI S/N _____ YEAR BUILT _____	
	MODEL _____ CAPACITY _____ GAL SA. _____ JOB NO. _____ XXX	
	<b>Ace Heaters, LLC</b> www.aceheaters.com	
	This document contains proprietary information from AHS, LLC. Do not reproduce or distribute without prior written consent of AHS, LLC.	

<b>Ace Heaters, LLC</b> www.aceheaters.com		A.I.:
ASME Section VIII Div 1: 2015 Ed. Design Pressure: 150 psig Test Pressure: 195 psig Max Design Temperature: 370°F		
SCALE: NA	Filename: SIHDW - COVER	SHEET 1 OF 2
Dwg By: JL	Orig Date: 12/30/15	Rev Date: _____ Checked By: _____
<b>MINIPACK SYSTEM - HORIZONTAL - DW</b> 3W WATER - WARREN ELECT. VALVE PACKAGE - DUAL UNIT ON DUAL RACK		
Dwg #: SIHDWWE-2-DR-3W-WARREN	SO: _____	REV 01

**SIHDWWE-2-DR-3W-WARREN, DW-WATER-WARREN ELECTRIC 3-WAYMIXING VALVE  
PACKAGE, DUAL UNIT ON RACK**

MP SIZE	5	6	8	10	12	14	16	
DIMENSION	1	10	10 1/2	11 1/2	13 1/2	14 1/2	15 1/2	16 1/2
	2	7 11/16	8 3/16	10 1/8	10 13/16	12 1/2	12 1/4	14
	3	59 15/16	60 7/16	62 3/8	76 1/16	77 3/4	77 1/2	79 1/4
	4	13 7/8	14 3/8	15 7/8	16 1/8	17 9/16	21 5/8	24 1/8
	5	55	54 1/2	55 1/4	56	54 1/2	63	66 3/4
	6	80 3/16	81 5/16	83 9/16	85 9/16	88 7/16	100 7/8	106 1/2
	7	22 15/16	23 7/16	25 3/8	26 3/16	27 7/8	27 5/8	29 3/8
	8	26 1/2	26 1/2	26 1/2	26 1/2	26 1/2	26 1/2	26 1/2
	9	15 1/2	15 1/2	15 1/2	15 1/2	15 1/2	15 1/2	15 1/2
	10	68 1/4	69 3/8	70 3/8	71 7/8	74 5/16	82 15/16	82 15/16
	11	1 3/8	1 1/2	2 1/16	2 1/2	3 1/16	3 1/8	3 1/4
	12	64	64	64	64	64	75	80
	13	4 13/16	4 13/16	5 15/16	5 11/16	8 1/8	7 1/4	7 3/8
INLET PIPE SIZE	2 1/2 FLG.	2 1/2 FLG.	3 FLG.	4 FLG.	4 FLG.	5 FLG.	6 FLG.	
OUTLET PIPE SIZE	2 1/2 FLG.	2 1/2 FLG.	3 FLG.	4 FLG.	4 FLG.	5 FLG.	6 FLG.	

VALVE SIZE 'A'	ITEM	VALVE SIZE AND OVERALL LOCATION						
1/2"	'B'	58	58 4/9	60 3/8	74	75 3/4	75 1/2	77 1/4
	'C'	16 3/16	16 7/16	17 7/16	19 15/16	21 7/16	23 7/16	25 7/16
	'D'	73 3/4	74 1/4	76 3/16	89 7/8	91 9/16	91 5/16	93 1/16
3/4"	'B'	57 2/3	58 1/5	60 1/8	73 4/5	75 1/2	75 1/4	77
	'C'	16 3/16	16 7/16	17 7/16	19 15/16	21 7/16	23 7/16	25 7/16
	'D'	73 3/4	74 1/4	76 3/16	89 7/8	91 9/16	91 5/16	93 1/16
1"	'B'	57 11/16	58 3/16	60 1/8	73 13/16	75 1/2	75 1/4	77
	'C'	17 3/16	17 7/16	18 7/16	20 15/16	22 7/16	24 7/16	26 7/16
	'D'	73 3/4	74 1/4	76 3/16	89 7/8	91 9/16	91 5/16	93 1/16
1 1/4"	'B'	57 4/9	58	59 7/8	73 4/7	75 1/4	75	76 3/4
	'C'	18 1/2	18 3/4	19 3/4	22 1/4	23 3/4	25 3/4	27 3/4
	'D'	74 3/8	74 7/8	76 13/16	90 1/2	92 3/16	91 15/16	93 11/16
1 1/2"	'B'	56 15/16	57 7/16	59 3/8	73 1/16	74 3/4	74 1/2	76 1/4
	'C'	18 1/2	18 3/4	19 3/4	22 1/4	23 3/4	25 3/4	27 3/4
	'D'	74 3/8	74 7/8	76 13/16	90 1/2	92 3/16	91 15/16	93 11/16
2"	'B'	55 15/16	56 7/16	58 3/8	72 1/16	73 3/4	73 1/2	75 1/4
	'C'	19 7/16	19 11/16	20 11/16	23 3/16	24 11/16	26 11/16	28 11/16
	'D'	74 3/8	74 7/8	76 13/16	90 1/2	92 3/16	91 15/16	93 11/16
2 1/2"	'B'	55 15/16	56 7/16	58 3/8	72 1/16	73 3/4	73 1/2	75 1/4
	'C'	19 3/8	19 5/8	20 5/8	23 1/8	24 5/8	26 5/8	28 5/8
	'D'	59 15/16	60 7/16	62 3/8	76 1/16	77 3/4	77 1/2	79 1/4
3"	'B'	N/A	56 3/16	58 1/8	71 13/16	73 1/2	73 1/4	75
	'C'		19 5/8	20 5/8	23 1/8	24 5/8	26 5/8	28 5/8
	'D'		76 11/16	78 5/8	92 5/16	94	93 3/4	95 1/2
4"	'B'	N/A	N/A	57 3/8	71 1/16	72 3/4	72 1/2	74 1/4
	'C'			20 11/16	23 3/16	24 11/16	26 11/16	28 11/16
	'D'			77 5/8	91 5/16	93	92 3/4	94 1/2
5"	'B'	N/A	N/A	70	71 3/4	71 1/2	73 1/4	
	'C'			23 3/16	24 11/16	26 11/16	28 11/16	
	'D'			91 5/16	93	92 3/4	94 1/2	



**NOTES:**

- 1/ DIMENSIONS IN INCHES, AND SUBJECT TO CHANGE WITHOUT NOTICE.
- 2/ DIM 'B', 'C', 'D' ARE TO BE APPROXIMATED ONLY, CONSULT FACTORY FOR TIGHT DIMENSIONS.

<b>Ace Heaters, LLC</b>		
www.aceheaters.com		
This document contains proprietary information from AHS, LLC. Do not reproduce or distribute without prior written consent of AHS, LLC.	ASME Section VIII Div 1: 2015 Ed. Design Pressure: 150 psig Test Pressure: 195 psig Max Design Temperature: 370°F	<b>A.I.:</b>
SCALE: NA	Filename: SIHDW - COVER	SHEET 2 OF 2
Dwg By: JL	Orig Date: 12/30/15	Rev Date:      Checked By:
<b>MINIPACK SYSTEM - HORIZONTAL - DW</b>		
3W WATER - WARREN ELECT. VALVE PACKAGE - DUAL UNIT ON DUAL RACK		
Dwg #: SIHDWWE-2-DR-3W-WARREN	SO:	REV 01