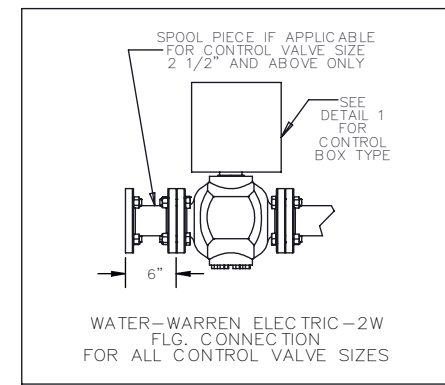


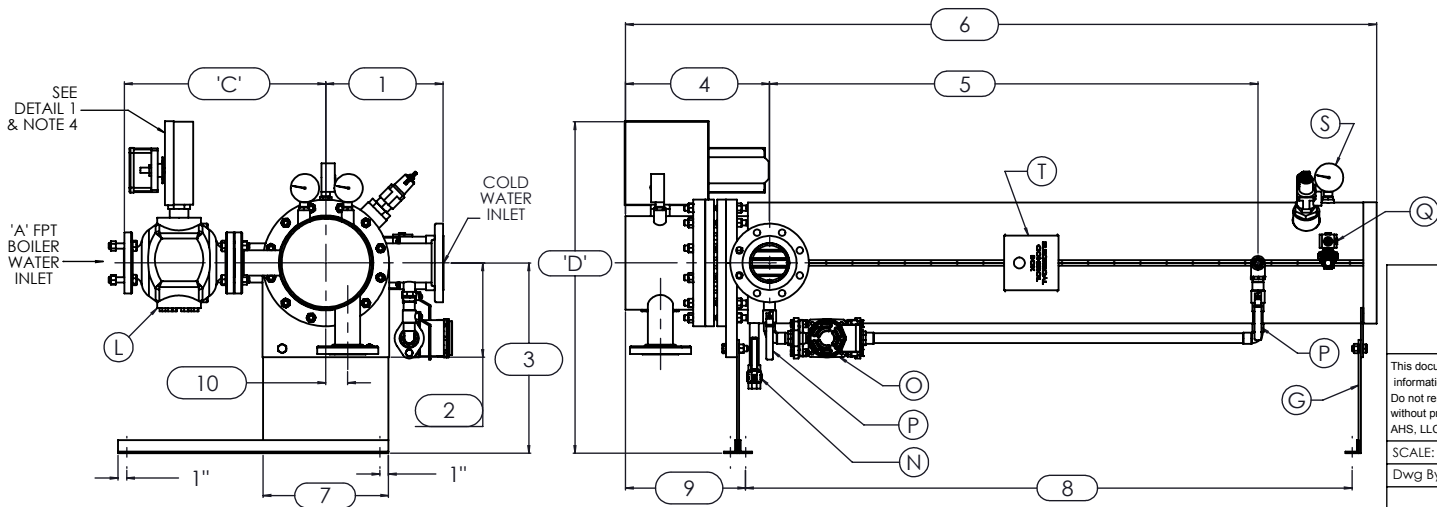
DETAIL 1

- NOTES:
1. REFER TO PRODUCT SPECIFICATION FOR DESCRIPTION OF LETTERED ITEMS.
 2. INSTALLATION: ALL COMPONENTS SHOWN HERE ARE PREWIRED & PREPARED BY ACE HEATERS. CUSTOMER WILL ONLY NEED TO PLUMB WATER TO BE HEATED, PIPE STEAM AND CONDENSATE LINES, AND BRING ELECTRICITY TO UNIT.
 3. DIMENSIONS ARE SUBJECT TO CHANGE. CONSULT FACTORY FOR TIGHT DIMENSIONS.
 4. THIS CONFIGURATION CHANGES FOR VALVE SIZE 1/2" TO 2". SEE DETAIL 1 FOR REFERENCE.

APPROX. EMPTY WT:



DETAIL 2



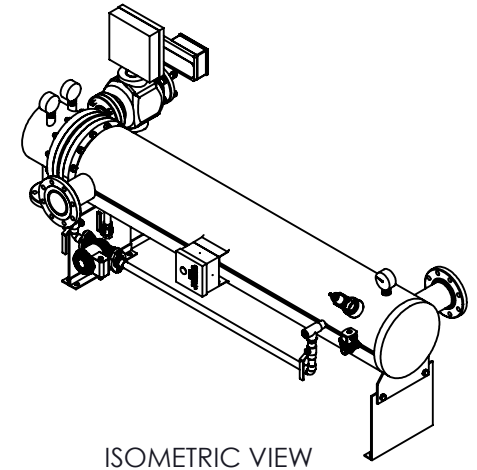
	CERTIFIED BY Ace Heaters, LLC www.aceheaters.com	
	MAXIMUM ALLOWABLE WORKING PRESSURE SHELL 150 PSI @ 210 °F TUBES 150 PSI @ 370 °F MIN. D.M.T. 0 °F @ 150 PSI S/N _____ YEAR BUILT _____	
	MODEL _____ CAPACITY _____ GAL SA. _____ JOB NO. _____ XXX	
	Ace Heaters, LLC www.aceheaters.com	
	This document contains proprietary information from AHS, LLC. Do not reproduce or distribute without prior written consent of AHS, LLC.	

Ace Heaters, LLC		www.aceheaters.com	
This document contains proprietary information from AHS, LLC. Do not reproduce or distribute without prior written consent of AHS, LLC.		ASME Section VIII Div 1: 2015 Ed. A.I: Design Pressure: 150 psig Test Pressure: 195 psig Max Design Temperature: 370°F	
SCALE: NA	Filename: SIHDW - COVER	SHEET 1 OF 2	
Dwg By: JL	Orig Date: 12/30/15	Rev Date:	Checked By:
MINIPACK SYSTEM - HORIZONTAL - DW WATER 2W - WARREN ELECT. OPERATED VALVE PACKAGE			
Dwg #: SIHDWWE-2W-WARREN		SO:	REV 01

SIHDWWE-2W, DW - WATER ELECTRIC WARREN 2-WAY MIXING VALVE PACKAGE

	MP SIZE	5	6	8	10	12	14	16
ITEMS	1	10	10 1/2	11 1/2	13 1/2	14 1/2	15 1/2	16 1/2
	2	7 11/16	8 3/16	10 1/8	10 13/16	12 1/2	12 1/4	14
	3	14 7/8	15 3/8	18 5/16	22	26 7/8	26 5/8	28 3/8
	4	13 7/8	14 3/8	15 7/8	16 1/8	17 9/16	21 5/8	24 1/8
	5	55	54 1/2	55 1/4	56	54 1/2	63	66 3/4
	6	80 3/16	81 5/16	83 9/16	85 9/16	88 7/16	100 7/8	106 1/2
	7	8 3/4	9 7/8	11 7/8	14 1/2	16 5/8	18 1/2	20
	8	65 7/8	66 7/8	68	69 1/2	70 11/16	80 5/16	83 7/16
	9	11 3/4	11 3/4	12 5/8	13 3/8	14 3/16	18	19 1/2
	10	1 3/8	1 1/2	2 1/16	2 1/2	3 1/16	3 1/8	3 1/4
	11	64	64	64	64	64	75	80
	12	4 13/16	4 13/16	5 15/16	5 11/16	8 1/8	7 1/4	7 3/8
INLET PIPE SIZE		2 1/2 FLG.	2 1/2 FLG.	3 FLG.	4 FLG.	4 FLG.	5 FLG.	6 FLG.
OUTLET PIPE SIZE		2 1/2 FLG.	2 1/2 FLG.	3 FLG.	4 FLG.	4 FLG.	5 FLG.	6 FLG.

VALVE SIZE 'A'	ITEM	VALVE SIZE AND OVERALL LOCATION						
1/2"	'C'	16 1/16	16 5/16	17 5/16	19 13/16	21 5/16	23 5/16	25 5/16
	'D'	30 11/16	31 3/16	34 1/8	37 13/16	42 11/16	42 7/16	44 3/16
3/4"	'C'	17 1/16	17 5/16	18 5/16	20 13/16	22 5/16	24 5/16	26 5/16
	'D'	30 11/16	31 3/16	34 1/8	37 13/16	42 11/16	42 7/16	44 3/16
1"	'C'	17 1/16	17 5/16	18 5/16	20 13/16	22 5/16	24 5/16	26 5/16
	'D'	30 11/16	31 3/16	34 1/8	37 13/16	42 11/16	42 7/16	44 3/16
1 1/4"	'C'	17 1/16	17 5/16	18 5/16	20 13/16	22 5/16	24 5/16	26 5/16
	'D'	30 11/16	31 3/16	34 1/8	37 13/16	42 11/16	42 7/16	44 3/16
1 1/2"	'C'	17 1/16	17 5/16	18 5/16	20 13/16	22 5/16	24 5/16	26 5/16
	'D'	31 7/16	31 15/16	34 7/8	38 9/16	43 7/16	43 3/16	44 15/16
2"	'C'	18 7/16	18 11/16	19 11/16	22 3/16	23 11/16	25 11/16	27 11/16
	'D'	33 1/8	33 5/8	36 9/16	40 1/4	45 1/8	44 7/8	46 5/8
2 1/2"	'C'	15 3/4	16	17	19 1/2	21	23	25
	'D'	33 7/8	34 3/8	37 5/16	41	45 7/8	45 5/8	47 3/8
3"	'C'	N/A	17	18	20 1/2	22	24	26
	'D'	N/A	36 1/4	39 3/16	42 7/8	47 3/4	47 1/2	49 1/4
4"	'C'	N/A	N/A	21	23 1/2	25	27	29
	'D'	N/A	N/A	41 3/16	44 7/8	49 3/4	49 1/2	51 1/4
5"	'C'	N/A	N/A	N/A	26 1/4	27 3/4	29 3/4	31 3/4
	'D'	N/A	N/A	N/A	44 7/8	49 3/4	49 1/2	51 1/4



NOTES:

1/ DIMENSIONS IN INCHES, AND SUBJECT TO CHANGE WITHOUT NOTICE.

2/ DIM 'C', 'D' ARE TO BE APPROXIMATED ONLY, CONSULT FACTORY FOR TIGHT DIMENSIONS.

Ace Heaters, LLC
www.aceheaters.com

This document contains proprietary information from AHS, LLC. Do not reproduce or distribute without prior written consent of AHS, LLC.		ASME Section VIII Div 1: 2015 Ed. Design Pressure: 150 psig Test Pressure: 195 psig Max Design Temperature: 370°F	A.I:
SCALE: NA	Filename: SIHDW - COVER	SHEET 2 OF 2	
Dwg By: JL	Orig Date: 12/30/15	Rev Date:	Checked By:
MINIPACK SYSTEM - HORIZONTAL - DW WATER 2W - WARREN ELECT. OPERATED VALVE PACKAGE			
Dwg #: SIHDWWE-2W-WARREN	SO:	REV 01	