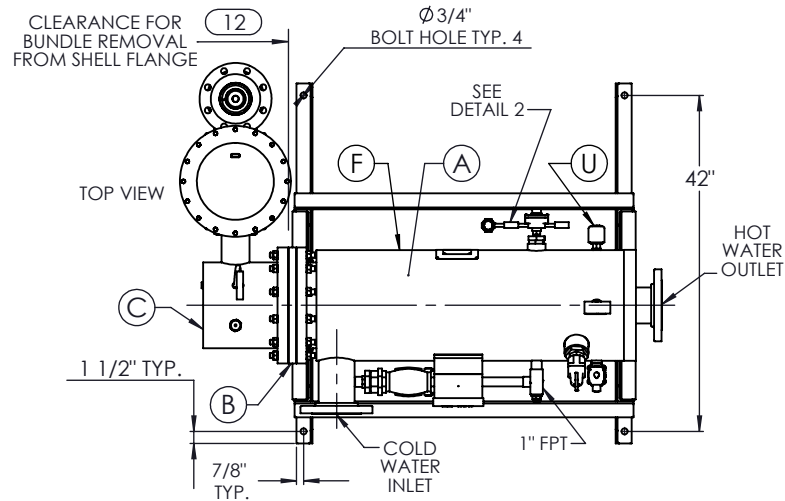


ISOMETRIC VIEW



TOP VIEW

1 1/2" TYP.

7/8" TYP.

1" FPT

COLD WATER INLET

HOT WATER OUTLET

SEE DETAIL 2

BOLT HOLE TYP. 4

12

42"

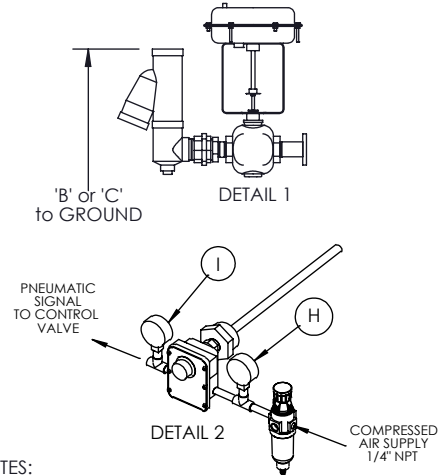
F

A

U

C

B



'B' or 'C' to GROUND

DETAIL 1

PNEUMATIC SIGNAL TO CONTROL VALVE

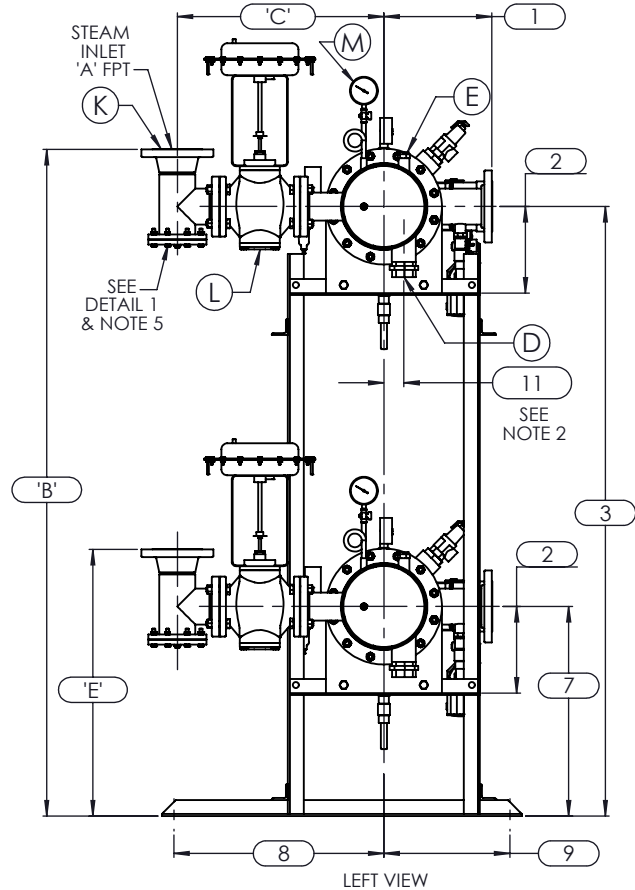
DETAIL 2

COMPRESSED AIR SUPPLY 1/4" NPT

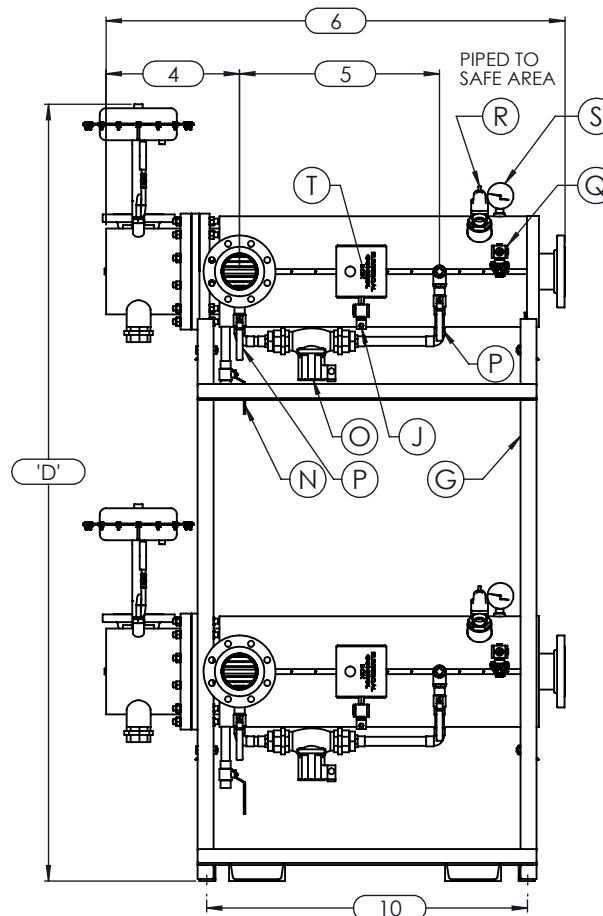
NOTES:

1. REFER TO PRODUCT SPECIFICATION FOR DESCRIPTION OF LETTERED ITEMS.
2. CONDENSATE: CONDENSATE IS TO BE PIPED FROM HEATER WITHOUT LIFTS TO A VENTED RECEIVER OR DRAIN BELOW THE ELEVATION OF THE HEATER'S CONDENSATE OUTLET.
3. INSTALLATION: ALL COMPONENTS SHOWN HERE ARE PREWIRED & PREPIPED BY ACE HEATERS. CUSTOMER WILL ONLY NEED TO PLUMB WATER TO BE HEATED, PIPE STEAM AND CONDENSATE LINES, AND BRING ELECTRICITY TO UNIT.
4. DIMENSIONS ARE SUBJECT TO CHANGE. CONSULT FACTORY FOR TIGHT DIMENSIONS.
5. THIS CONFIGURATION CHANGES FOR VALVE SIZE 1/2" TO 2". SEE DETAIL 1 FOR REFERENCE.

APPROX. EMPTY WT:



LEFT VIEW



FRONT VIEW

	CERTIFIED BY <b>Ace Heaters, LLC</b> www.aceheaters.com
	MAXIMUM ALLOWABLE WORKING PRESSURE
	SHELL 150 PSI @ 210 °F
	TUBES 150 PSI @ 370 °F
	MIN. D.M.T. 0 °F @ 150 PSI
S/N _____ YEAR BUILT _____	
MODEL _____	
CAPACITY _____ GAL SA. _____	
JOB NO. _____ XXX	

**ACE HEATERS, LLC**

www.aceheaters.com

This document contains proprietary information from AHS, LLC. Do not reproduce or distribute without prior written consent of AHS, LLC.	ASME Section VIII Div 1: 2015 Ed. Design Pressure: 150 psig Test Pressure: 195 psig Max Design Temperature: 370°F	A.I.:
	SCALE: NA Filename: SIHSW - COVER	SHEET 1 OF 2

Dwg By: JL	Orig Date: 12/22/15	Rev Date:	Checked By:
------------	---------------------	-----------	-------------

**MINIPACK SYSTEM - HORIZONTAL - SW**  
STEAM - PNEUMATIC VALVE PACKAGE - DUAL UNIT ON DUAL RACK

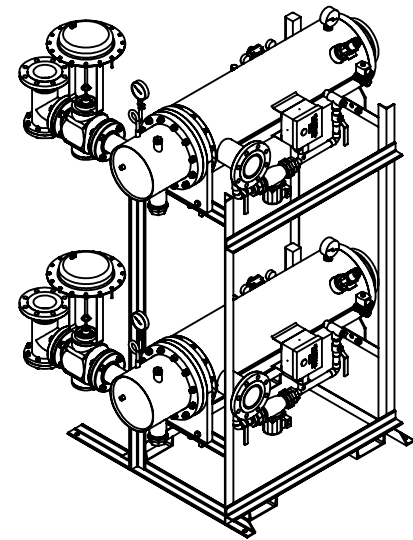
Dwg #: SIHSWSA-2-DR | so: | REV 01

SIHSWSA-2-DR, SW - STEAM - PNEUMATIC VALVE PACKAGE SIZE AND LOCATION: DUAL UNIT ON RACK

ITEMS	MP SIZE	4	5	6	8	8L	10	10L	12	12L	14	14L	16	16L
		1	9 1/2	11 1/2	12	11 9/16	11 9/16	13 7/16	13 7/16	14 7/16	14 7/16	15 3/4	15 3/4	17 5/8
2	6 5/16	7 11/16	8 3/16	10 1/8	10 1/8	10 13/16	10 13/16	12 1/2	12 1/2	12 1/4	12 1/4	14	14	
3	58 9/16	59 15/16	60 7/16	62 3/8	62 3/8	76 1/16	76 1/16	77 3/4	77 3/4	77 1/2	77 1/2	79 1/4	79 1/4	
4	12 7/8	12 7/8	13 3/8	14 7/8	14 7/8	16 3/8	15 11/16	22 5/16	22 5/16	23 7/16	23 11/16	26 15/16	26 15/16	
5	30	23	30 1/4	24 3/4	30 3/4	25	31 11/16	24 1/2	30 1/2	45 3/4	40 1/2	54 1/2	54 1/2	
6	56	49	57 3/8	53 7/8	59 7/8	57	63	63 15/16	75 15/16	73 1/16	88 5/16	88 1/16	102 1/16	
7	21 9/16	22 15/16	23 7/16	25 3/8	25 3/8	26 3/16	26 3/16	27 7/8	27 7/8	27 5/8	27 5/8	29 3/8	29 3/8	
8	26 1/2	26 1/2	26 1/2	26 1/2	26 1/2	26 1/2	26 1/2	26 1/2	26 1/2	26 1/2	26 1/2	26 1/2	26 1/2	
9	15 1/2	15 1/2	15 1/2	15 1/2	15 1/2	15 1/2	15 1/2	15 1/2	15 1/2	15 1/2	15 1/2	15 1/2	15 1/2	
10	42 3/4	35 3/4	44 1/8	39 1/8	44 7/8	39 3/4	45 3/4	42	54 1/4	49 3/4	65	62 1/4	76 1/4	
11	1	1 3/8	1 1/2	2 1/16	2 1/16	2 1/2	2 1/2	3 1/16	3 1/16	3 1/8	3 1/8	3 1/4	3 1/4	
12	37	31	38	33	39	34	40	35	47	42	57	53	67	
INLET PIPE SIZE		2 THR.		2 1/2	3 FLG.	3 FLG.	4 FLG.	4 FLG.	4 FLG.	5 FLG.	5 FLG.	6 FLG.	6 FLG.	
OUTLET PIPE SIZE		2 THR.		2 1/2	3 FLG.	3 FLG.	4 FLG.	4 FLG.	4 FLG.	5 FLG.	5 FLG.	6 FLG.	6 FLG.	

VALVE SIZE AND OVERALL LOCATION

VALVE SIZE	ITEM														
1/2"	'A'	3/4													
	'B'	69 1/16	70 7/16	70 15/16	72 7/8	72 7/8	86 9/16	86 9/16	88 1/4	88 1/4	88	88	89 3/4	89 3/4	
	'C'	19 13/16	20 5/16	20 9/16	21 9/16	21 9/16	24 1/16	24 1/16	25 9/16	25 9/16	27 9/16	27 9/16	29 9/16	29 9/16	
	'D'	74 3/8	75 3/4	76 1/4	78 3/16	78 3/16	91 7/8	91 7/8	93 9/16	93 9/16	93 5/16	93 5/16	95 1/16	95 1/16	
	'E'	32 1/16	33 7/16	33 15/16	35 7/8	35 7/8	36 11/16	36 11/16	38 3/8	38 3/8	38 1/8	38 1/8	39 7/8	39 7/8	
3/4"	'A'	1													
	'B'	69 1/8	70 1/2	71	72 15/16	72 15/16	86 5/8	86 5/8	88 5/16	88 5/16	88 1/16	88 1/16	89 13/16	89 13/16	
	'C'	20 13/16	21 5/16	21 9/16	22 9/16	22 9/16	25 1/16	25 1/16	26 9/16	26 9/16	28 9/16	28 9/16	30 9/16	30 9/16	
	'D'	74 3/8	75 3/4	76 1/4	78 3/16	78 3/16	91 7/8	91 7/8	93 9/16	93 9/16	93 5/16	93 5/16	95 1/16	95 1/16	
	'E'	32 1/8	33 1/2	34	35 15/16	35 15/16	36 3/4	36 3/4	38 7/16	38 7/16	38 3/16	38 3/16	39 15/16	39 15/16	
1"	'A'	1 1/4													
	'B'	68 7/16	69 13/16	70 5/16	72 1/4	72 1/4	85 15/16	85 15/16	87 5/8	87 5/8	87 3/8	87 3/8	89 1/8	89 1/8	
	'C'	21 5/8	22 1/8	22 3/8	23 3/8	23 3/8	25 7/8	25 7/8	27 3/8	27 3/8	29 3/8	29 3/8	31 3/8	31 3/8	
	'D'	74 3/8	75 3/4	76 1/4	78 3/16	78 3/16	91 7/8	91 7/8	93 9/16	93 9/16	93 5/16	93 5/16	95 1/16	95 1/16	
	'E'	31 7/16	32 13/16	33 5/16	35 1/4	35 1/4	36 1/16	36 1/16	37 3/4	37 3/4	37 1/2	37 1/2	39 1/4	39 1/4	
1 1/4"	'A'	1 1/2													
	'B'	69 1/2	70 7/8	71 3/8	73 5/16	73 5/16	87	87	88 11/16	88 11/16	88 7/16	88 7/16	90 3/16	90 3/16	
	'C'	20 15/16	21 7/16	21 11/16	22 11/16	22 11/16	25 3/16	25 3/16	26 11/16	26 11/16	28 11/16	28 11/16	30 11/16	30 11/16	
	'D'	74 3/8	75 3/4	76 1/4	78 3/16	78 3/16	91 7/8	91 7/8	93 9/16	93 9/16	93 5/16	93 5/16	95 1/16	95 1/16	
	'E'	32 1/2	33 7/8	34 3/8	36 5/16	36 5/16	37 1/8	37 1/8	38 13/16	38 13/16	38 9/16	38 9/16	40 5/16	40 5/16	
1 1/2"	'A'	2													
	'B'	69 1/2	70 7/8	71 3/8	73 5/16	73 5/16	87	87	88 11/16	88 11/16	88 7/16	88 7/16	90 3/16	90 3/16	
	'C'	21 9/16	22 1/16	22 5/16	23 5/16	23 5/16	25 13/16	25 13/16	27 5/16	27 5/16	29 5/16	29 5/16	31 5/16	31 5/16	
	'D'	75 1/8	76 1/2	77	78 15/16	78 15/16	92 5/8	92 5/8	94 5/16	94 5/16	94 1/16	94 1/16	95 13/16	95 13/16	
	'E'	32 1/2	33 7/8	34 3/8	36 5/16	36 5/16	37 1/8	37 1/8	38 13/16	38 13/16	38 9/16	38 9/16	40 5/16	40 5/16	
2"	'A'	2 1/2													
	'B'	69 15/16	71 5/16	71 13/16	73 3/4	73 3/4	87 7/16	87 7/16	89 1/8	89 1/8	88 7/8	88 7/8	90 5/8	90 5/8	
	'C'	23 3/4	24 1/4	24 1/2	25 1/2	25 1/2	28	28	29 1/2	29 1/2	31 1/2	31 1/2	33 1/2	33 1/2	
	'D'	76 13/16	78 3/16	78 11/16	80 5/8	80 5/8	94 5/16	94 5/16	96	96	95 3/4	95 3/4	97 1/2	97 1/2	
	'E'	32 15/16	34 5/16	34 13/16	36 3/4	36 3/4	37 9/16	37 9/16	39 1/4	39 1/4	39	39	40 3/4	40 3/4	
2 1/2"	'A'	3													
	'B'	N/A	64 9/16	65 1/16	67	67	80 11/16	80 11/16	82 3/8	82 3/8	82 1/8	82 1/8	83 7/8	83 7/8	
	'C'	N/A	20 1/4	20 1/2	21 1/2	21 1/2	24	24	25 1/2	25 1/2	27 1/2	27 1/2	29 1/2	29 1/2	
	'D'	N/A	78 15/16	79 7/16	81 3/8	81 3/8	95 1/16	95 1/16	96 3/4	96 3/4	96 1/2	96 1/2	98 1/4	98 1/4	
	'E'	N/A	27 9/16	28 1/16	30	30	30 13/16	30 13/16	32 1/2	32 1/2	32 1/4	32 1/4	34	34	
3"	'A'	4													
	'B'	N/A	N/A	67 5/8	69 9/16	69 9/16	83 1/4	83 1/4	84 15/16	84 15/16	84 11/16	84 11/16	86 7/16	86 7/16	
	'C'	N/A	N/A	22 5/16	23 5/16	23 5/16	25 13/16	25 13/16	27 5/16	27 5/16	29 5/16	29 5/16	31 5/16	31 5/16	
	'D'	N/A	N/A	81 5/16	83 1/4	83 1/4	96 15/16	96 15/16	98 5/8	98 5/8	98 3/8	98 3/8	100 1/8	100 1/8	
	'E'	N/A	N/A	30 5/8	32 9/16	32 9/16	33 3/8	33 3/8	35 1/16	35 1/16	34 13/16	34 13/16	36 9/16	36 9/16	
4"	'A'	6													
	'B'	N/A	N/A	N/A	71 9/16	71 9/16	85 1/4	85 1/4	86 15/16	86 15/16	86 11/16	86 11/16	88 7/16	88 7/16	
	'C'	N/A	N/A	N/A	27 3/16	27 3/16	29 11/16	29 11/16	31 3/16	31 3/16	33 3/16	33 3/16	35 3/16	35 3/16	
	'D'	N/A	N/A	N/A	85 1/4	85 1/4	98 15/16	98 15/16	100 5/8	100 5/8	100 3/8	100 3/8	102 1/8	102 1/8	
	'E'	N/A	N/A	N/A	34 9/16	34 9/16	35 3/8	35 3/8	37 1/16	37 1/16	36 13/16	36 13/16	38 9/16	38 9/16	
5"	'A'	6													
	'B'	N/A	N/A	N/A	N/A	N/A	85 1/4	85 1/4	86 15/16	86 15/16	86 11/16	86 11/16	88 7/16	88 7/16	
	'C'	N/A	N/A	N/A	N/A	N/A	33 5/16	33 5/16	34 13/16	34 13/16	34 13/16	34 13/16	36 13/16	36 13/16	
	'D'	N/A	N/A	N/A	N/A	N/A	98 15/16	98 15/16	100 5/8	100 5/8	100 3/8	100 3/8	102 1/8	102 1/8	
	'E'	N/A	N/A	N/A	N/A	N/A	35 3/8	35 3/8	37 1/16	37 1/16	36 13/16	36 13/16	38 9/16	38 9/16	



ISOMETRIC VIEW

- NOTES:
- 1/ DIMENSIONS IN INCHES, AND SUBJECT TO CHANGE WITHOUT NOTICE.
  - 2/ DIM 'B', 'C', 'D', 'E' ARE TO BE APPROXIMATED ONLY, CONSULT FACTORY FOR TIGHT DIMENSIONS.

**ACE HEATERS, LLC**  
www.aceheaters.com

This document contains proprietary information from AHS, LLC. Do not reproduce or distribute without prior written consent of AHS, LLC.	ASME Section VIII Div 1: 2015 Ed. Design Pressure: 150 psig Test Pressure: 195 psig Max Design Temperature: 370°F	<b>A.I.</b>
SCALE: NA	Filename: SIHSW - COVER	SHEET 2 OF 2
Dwg By: JL	Orig Date: 12/22/15	Rev Date:
<b>MINIPACK SYSTEM - HORIZONTAL - SW</b>		
STEAM - PNEUMATIC VALVE PACKAGE - DUAL UNIT ON DUAL RACK		
Dwg #: SIHSWSA-2-DR - DIM		REV 01