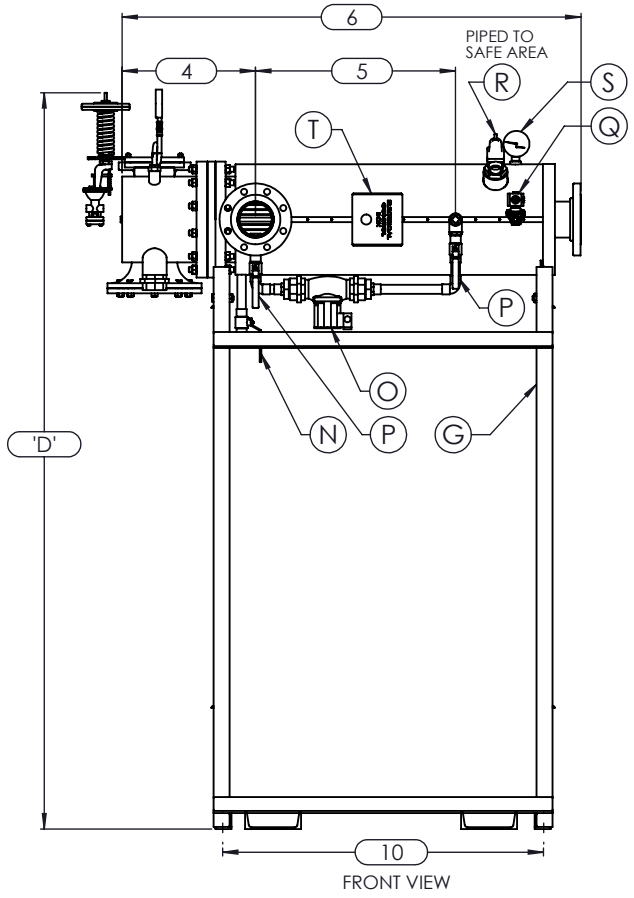
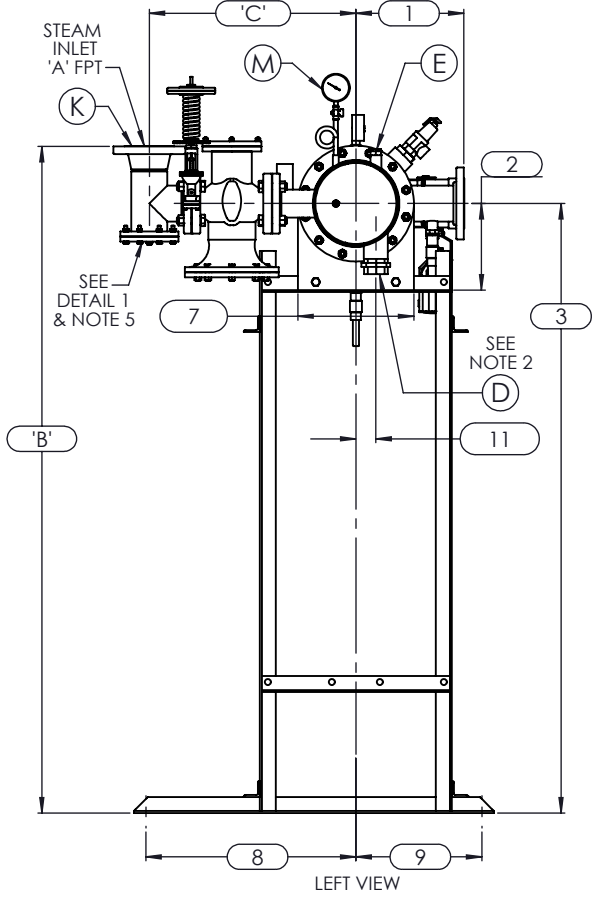


- NOTES:
1. REFER TO PRODUCT SPECIFICATION FOR DESCRIPTION OF LETTERED ITEMS.
 2. CONDENSATE: CONDENSATE IS TO BE PIPED FROM HEATER WITHOUT LIFTS TO A VENTED RECEIVER OR DRAIN BELOW THE ELEVATION OF THE HEATER'S CONDENSATE OUTLET.
 3. INSTALLATION: ALL COMPONENTS SHOWN HERE ARE PREWIRED & PREPIPED BY ACE HEATERS. CUSTOMER WILL ONLY NEED TO PLUMB WATER TO BE HEATED, PIPE STEAM AND CONDENSATE LINES, AND BRING ELECTRICITY TO UNIT.
 4. DIMENSIONS ARE SUBJECT TO CHANGE. CONSULT FACTORY FOR TIGHT DIMENSIONS.
 5. THIS CONFIGURATION CHANGES FOR VALVE SIZE 1/2" TO 2". SEE DETAIL 1 FOR REFERENCE.

APPROX FEMPTY WT:



	CERTIFIED BY	
	Ace Heaters, LLC www.aceheaters.com	
MAXIMUM ALLOWABLE WORKING PRESSURE SHELL 150 PSI @ 210 °F TUBES 150 PSI @ 370 °F MIN. D.M.T. 0 °F @ 150 PSI S/N _____ YEAR BUILT _____		
MODEL _____ CAPACITY _____ GAL SA. _____ JOB NO. _____ XXX		

ACE HEATERS, LLC

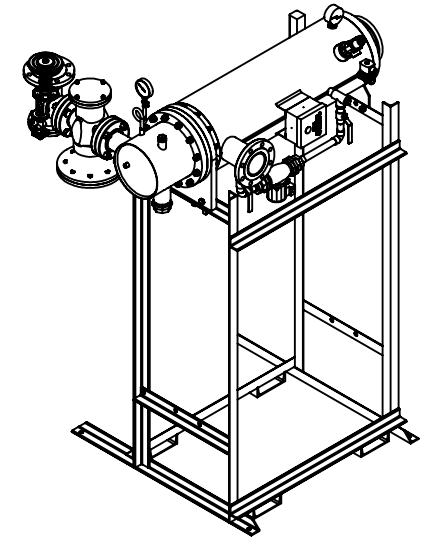
www.aceheaters.com

This document contains proprietary information from AHS, LLC. Do not reproduce or distribute without prior written consent of AHS, LLC.		ASME Section VIII Div 1: 2015 Ed. Design Pressure: 150 psig Test Pressure: 195 psig Max Design Temperature: 370°F	A.I:
SCALE: NA	Filename: SIHSW - COVER	SHEET 1 OF 2	
Dwg By: JL	Orig Date: 12/22/15	Rev Date:	Checked By:
MINIPACK SYSTEM - HORIZONTAL - SW			
STEAM - PILOT VALVE PACKAGE - SINGLE UNIT ON DUAL RACK			
Dwg #: SIHSWSP-1-DR [so:			REV 01

SIHSWSP-1-DR, SW - STEAM - PILOT VALVE PACKAGE SIZE AND LOCATION: SINGLE UNIT ON RACK

MP SIZE	4	5	6	8	8L	10	10L	12	12L	14	14L	16	16L	
ITEMS	1	9 1/2	11 1/2	12	11 9/16	11 9/16	13 7/16	13 7/16	14 7/16	14 7/16	15 3/4	15 3/4	17 5/8	17 5/8
	2	6 5/16	7 11/16	8 3/16	10 1/8	10 1/8	10 13/16	10 13/16	12 1/2	12 1/2	12 1/4	12 1/4	14	14
	3	58 9/16	59 15/16	60 7/16	62 3/8	62 3/8	76 1/16	76 1/16	77 3/4	77 3/4	77 1/2	77 1/2	79 1/4	79 1/4
	4	12 7/8	12 7/8	13 3/8	14 7/8	14 7/8	16 3/8	15 11/16	22 5/16	22 5/16	23 7/16	23 11/16	26 15/16	26 15/16
	5	30	23	30 1/4	24 3/4	30 3/4	25	31 11/16	24 1/2	36 1/2	30 1/2	45 3/4	40 1/2	54 1/2
	6	56	49	57 3/8	53 7/8	59 7/8	57	63	63 15/16	75 15/16	73 1/16	88 5/16	88 1/16	102
	7	7 5/8	8 3/4	9 7/8	11 7/8	11 7/8	14 1/2	14 1/2	16 5/8	16 5/8	18 1/2	18 1/2	20	20
	8	26 1/2	26 1/2	26 1/2	26 1/2	26 1/2	26 1/2	26 1/2	26 1/2	26 1/2	26 1/2	26 1/2	26 1/2	26 1/2
	9	15 1/2	15 1/2	15 1/2	15 1/2	15 1/2	15 1/2	15 1/2	15 1/2	15 1/2	15 1/2	15 1/2	15 1/2	15 1/2
	10	42 3/4	35 3/4	44 1/8	39 1/8	44 7/8	39 3/4	45 3/4	42	54 1/4	49 3/4	65	62 1/4	76 1/4
	11	1	1 3/8	1 1/2	2 1/16	2 1/16	2 1/2	2 1/2	3 1/16	3 1/16	3 1/8	3 1/8	3 1/4	3 1/4
	12	37	31	38	33	39	34	40	35	47	42	57	53	67
INLET PIPE SIZE	2 THR.	2 1/2	2 1/2	3 FLG.	3 FLG.	4 FLG.	4 FLG.	4 FLG.	4 FLG.	5 FLG.	5 FLG.	6 FLG.	6 FLG.	
OUTLET PIPE SIZE	2 THR.	2 1/2	2 1/2	3 FLG.	3 FLG.	4 FLG.	4 FLG.	4 FLG.	4 FLG.	5 FLG.	5 FLG.	6 FLG.	6 FLG.	

ISOMETRIC VIEW



VALVE SIZE AND OVERALL LOCATION

VALVE SIZE	ITEM	3/4												
1/2"	'A'	3/4												
	'B'	69 1/16	69 3/16	69 11/16	71 5/8	71 5/8	85 5/16	85 5/16	87	87	86 3/4	86 3/4	88 1/2	88 1/2
	'C'	17 7/8	18 3/8	18 5/8	19 5/8	19 5/8	22 1/8	22 1/8	23 5/8	23 5/8	25 5/8	25 5/8	27 5/8	27 5/8
	'D'	69 1/8	70 1/2	71	72 15/16	72 15/16	86 5/8	86 5/8	88 5/16	88 5/16	88 1/16	88 1/16	89 13/16	89 13/16
3/4"	'A'	1												
	'B'	69 1/8	70 1/2	71	72 15/16	72 15/16	86 5/8	86 5/8	88 5/16	88 5/16	88 1/16	88 1/16	89 13/16	89 13/16
	'C'	19 1/8	19 5/8	19 7/8	20 7/8	20 7/8	23 3/8	23 3/8	24 7/8	24 7/8	26 7/8	26 7/8	28 7/8	28 7/8
	'D'	69 1/8	70 1/2	71	72 15/16	72 15/16	86 5/8	86 5/8	88 5/16	88 5/16	88 1/16	88 1/16	89 13/16	89 13/16
1"	'A'	1 1/4												
	'B'	68 7/16	69 13/16	70 5/16	72 1/4	72 1/4	85 15/16	85 15/16	87 5/8	87 5/8	87 3/8	87 3/8	89 1/8	89 1/8
	'C'	20 5/16	22 1/8	22 3/8	23 3/8	23 3/8	25 7/8	25 7/8	27 3/8	27 3/8	29 3/8	29 3/8	31 3/8	31 3/8
	'D'	69 7/8	71 1/4	71 3/4	73 11/16	73 11/16	87 3/8	87 3/8	89 1/16	89 1/16	88 13/16	88 13/16	90 9/16	90 9/16
1 1/4"	'A'	1 1/2												
	'B'	69 1/2	70 7/8	71 3/8	73 5/16	73 5/16	87	87	88 11/16	88 11/16	88 7/16	88 7/16	90 3/16	90 3/16
	'C'	20 15/16	21 7/16	21 11/16	22 11/16	22 11/16	25 3/16	25 3/16	26 11/16	26 11/16	28 11/16	28 11/16	30 11/16	30 11/16
	'D'	70 3/8	71 3/4	72 1/4	74 3/16	74 3/16	87 7/8	87 7/8	89 9/16	89 9/16	89 5/16	89 5/16	91 1/16	91 1/16
1 1/2"	'A'	2												
	'B'	69 1/2	70 7/8	71 3/8	73 5/16	73 5/16	87	87	88 11/16	88 11/16	88 7/16	88 7/16	90 3/16	90 3/16
	'C'	22 11/16	23 3/16	23 7/16	24 7/16	24 7/16	26 15/16	26 15/16	28 7/16	28 7/16	30 7/16	30 7/16	32 7/16	32 7/16
	'D'	70 5/8	72	72 1/2	74 7/16	74 7/16	88 1/8	88 1/8	89 13/16	89 13/16	89 9/16	89 9/16	91 5/16	91 5/16
2"	'A'	2 1/2												
	'B'	N/A	71 5/16	71 13/16	73 3/4	73 3/4	87 7/16	87 7/16	89 1/8	89 1/8	88 7/8	88 7/8	90 5/8	90 5/8
	'C'	N/A	30 9/16	30 13/16	31 13/16	31 13/16	34 5/16	34 5/16	35 13/16	35 13/16	37 13/16	37 13/16	39 13/16	39 13/16
	'D'	N/A	75 5/16	75 13/16	77 3/4	77 3/4	91 7/16	91 7/16	93 1/8	93 1/8	92 7/8	92 7/8	94 5/8	94 5/8
2 1/2"	'A'	3												
	'B'	N/A	64 9/16	65 1/16	67	67	80 11/16	80 11/16	82 3/8	82 3/8	82 1/8	82 1/8	83 7/8	83 7/8
	'C'	N/A	20 5/8	20 7/8	21 7/8	21 7/8	24 3/8	24 3/8	25 7/8	25 7/8	27 7/8	27 7/8	29 7/8	29 7/8
	'D'	N/A	72 5/8	73 1/8	75 1/16	75 1/16	88 3/4	88 3/4	90 7/16	90 7/16	90 3/16	90 3/16	91 15/16	91 15/16
3"	'A'	4												
	'B'	N/A	N/A	67 5/8	69 9/16	69 9/16	83 1/4	83 1/4	84 15/16	84 15/16	84 11/16	84 11/16	86 7/16	86 7/16
	'C'	N/A	N/A	22 5/16	23 5/16	23 5/16	25 13/16	25 13/16	27 5/16	27 5/16	29 5/16	29 5/16	31 5/16	31 5/16
	'D'	N/A	N/A	76 5/16	78 1/4	78 1/4	91 15/16	91 15/16	93 5/8	93 5/8	93 3/8	93 3/8	95 1/8	95 1/8
4"	'A'	6												
	'B'	N/A	N/A	N/A	71 9/16	71 9/16	85 1/4	85 1/4	86 15/16	86 15/16	86 11/16	86 11/16	88 7/16	88 7/16
	'C'	N/A	N/A	N/A	19 9/16	19 9/16	19 9/16	19 9/16	19 9/16	19 9/16	19 9/16	19 9/16	19 9/16	19 9/16
	'D'	N/A	N/A	N/A	77 3/4	77 3/4	91 7/16	91 7/16	93 1/8	93 1/8	92 7/8	92 7/8	94 5/8	94 5/8
5"	'A'	6												
	'B'	N/A	N/A	N/A	N/A	N/A	85 1/4	85 1/4	86 15/16	86 15/16	86 11/16	86 11/16	88 7/16	88 7/16
	'C'	N/A	N/A	N/A	N/A	N/A	22 13/16	22 13/16	22 13/16	22 13/16	22 13/16	22 13/16	22 13/16	22 13/16
	'D'	N/A	N/A	N/A	N/A	N/A	91 15/16	91 15/16	93 5/8	93 5/8	93 3/8	93 3/8	95 1/8	95 1/8

NOTES:

- 1/ DIMENSIONS IN INCHES, AND SUBJECT TO CHANGE WITHOUT NOTICE.
- 2/ DIM 'B', 'C', 'D' ARE TO BE APPROXIMATED ONLY, CONSULT FACTORY FOR TIGHT DIMENSIONS.

ACE HEATERS, LLC

www.aceheaters.com

This document contains proprietary information from AHS, LLC. Do not reproduce or distribute without prior written consent of AHS, LLC.		ASME Section VIII Div 1: 2015 Ed. Design Pressure: 150 psig Test Pressure: 195 psig Max Design Temperature: 370°F	A.I.:
SCALE: NA	Filename: SIHSW - COVER	SHEET 2 OF 2	
Dwg By: JL	Orig Date: 12/22/15	Rev Date:	Checked By:
MINIPACK SYSTEM - HORIZONTAL - SW			
STEAM - PILOT VALVE PACKAGE - SINGLE UNIT ON DUAL RACK			
Dwg #: SIHSWSP-1-DR - DIM [s:]			REV 01