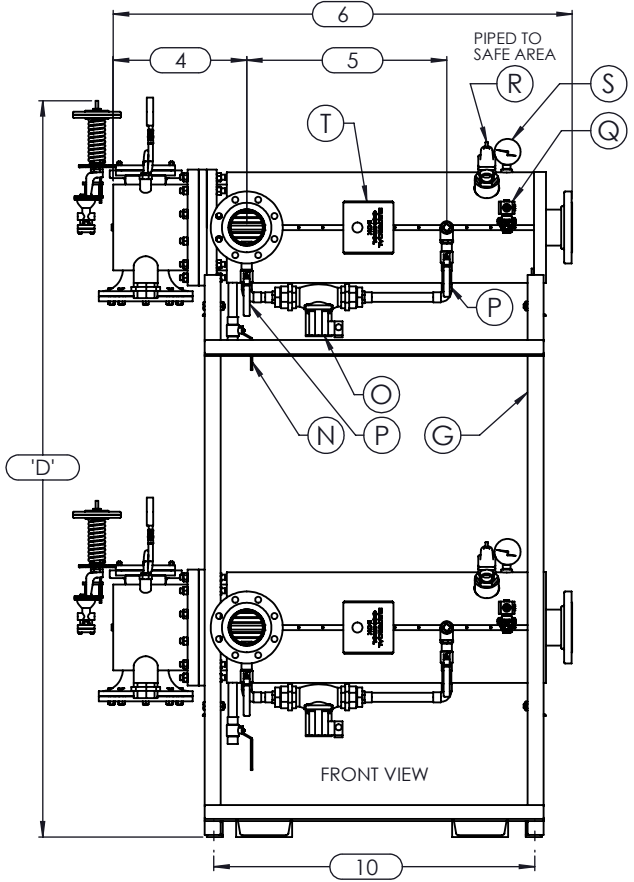
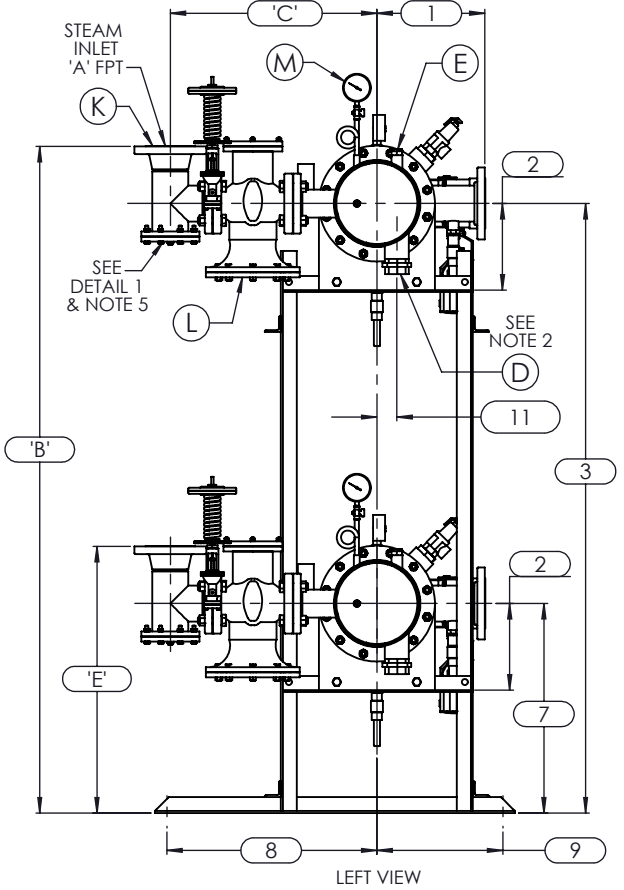


- NOTES:
- REFER TO PRODUCT SPECIFICATION FOR DESCRIPTION OF LETTERED ITEMS.
  - CONDENSATE: CONDENSATE IS TO BE PIPED FROM HEATER WITHOUT LIFTS TO A VENTED RECEIVER OR DRAIN BELOW THE ELEVATION OF THE HEATER'S CONDENSATE OUTLET.
  - INSTALLATION: ALL COMPONENTS SHOWN HERE ARE PREWIRED & PREPIPED BY ACE HEATERS. CUSTOMER WILL ONLY NEED TO PLUMB WATER TO BE HEATED, PIPE STEAM AND CONDENSATE LINES, AND BRING ELECTRICITY TO UNIT.
  - DIMENSIONS ARE SUBJECT TO CHANGE. CONSULT FACTORY FOR TIGHT DIMENSIONS.
  - THIS CONFIGURATION CHANGES FOR VALVE SIZE 1/2" TO 2". SEE DETAIL 1 FOR REFERENCE.

APPROX. EMPTY WT:



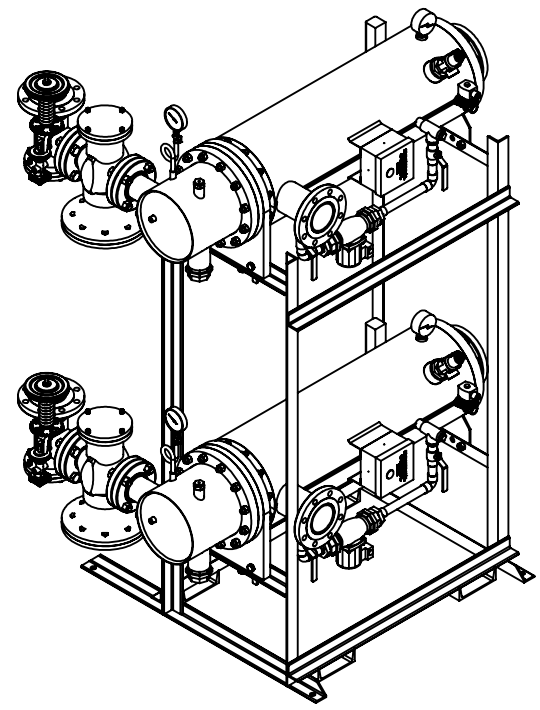
	CERTIFIED BY <b>Ace Heaters, LLC</b> www.aceheaters.com
	MAXIMUM ALLOWABLE WORKING PRESSURE <b>SHELL 150 PSI @ 210 °F</b> <b>TUBES 150 PSI @ 370 °F</b> <b>MIN. D.M.T. 0 °F @ 150 PSI</b> S/N _____ YEAR BUILT _____
<b>MODEL _____</b> <b>CAPACITY _____ GAL SA. _____</b> <b>JOB NO. _____ XXX</b>	

**ACE HEATERS, LLC**  
www.aceheaters.com

This document contains proprietary information from AHS, LLC. Do not reproduce or distribute without prior written consent of AHS, LLC.		ASME Section VIII Div 1: 2015 Ed. Design Pressure: 150 psig Test Pressure: 195 psig Max Design Temperature: 370°F	<b>A.I.:</b>
SCALE: NA Dwg By: JL	Filename: SIHSW - COVER Orig Date: 12/22/15 Rev Date:	SHEET 1 OF 2	Checked By:
<b>MINIPACK SYSTEM - HORIZONTAL - SW</b> <b>STEAM - PILOT VALVE PACKAGE - DUAL UNIT ON DUAL RACK</b>			<b>Dwg #:</b> SIHSWSP-2-DR <b>So:</b> <b>REV 01</b>

SIHSWSP-2-DR, SW - STEAM - PILOT VALVE PACKAGE SIZE AND LOCATION: DUAL UNIT ON RACK															
MP SIZE		4	5	6	8	8L	10	10L	12	12L	14	14L	16	16L	
ITEMS	1	9 1/2	11 1/2	12	11 9/16	11 9/16	13 7/16	13 7/16	14 7/16	14 7/16	15 3/4	15 3/4	17 5/8	17 5/8	
	2	6 5/16	7 11/16	8 3/16	10 1/8	10 1/8	10 13/16	10 13/16	12 1/2	12 1/2	12 1/4	12 1/4	14	14	
	3	58 9/16	59 15/16	60 7/16	62 3/8	62 3/8	76 1/16	76 1/16	77 3/4	77 3/4	77 1/2	77 1/2	79 1/4	79 1/4	
	4	12 7/8	12 7/8	13 3/8	14 7/8	14 7/8	16 3/8	15 11/16	22 5/16	22 5/16	23 7/16	23 11/16	26 15/16	26 15/16	
	5	30	23	30 1/4	24 3/4	24 3/4	25	31 11/16	24 1/2	24 1/2	36 1/2	30 1/2	45 3/4	40 1/2	54 1/2
	6	56	49	57 3/8	53 7/8	53 7/8	59 7/8	57	63	63 15/16	75 15/16	73 1/16	88 5/16	88 1/16	102
	7	21 9/16	22 15/16	23 7/16	25 3/8	25 3/8	26 3/16	26 3/16	27 7/8	27 7/8	27 7/8	27 5/8	27 5/8	29 3/8	29 3/8
	8	26 1/2	26 1/2	26 1/2	26 1/2	26 1/2	26 1/2	26 1/2	26 1/2	26 1/2	26 1/2	26 1/2	26 1/2	26 1/2	26 1/2
	9	15 1/2	15 1/2	15 1/2	15 1/2	15 1/2	15 1/2	15 1/2	15 1/2	15 1/2	15 1/2	15 1/2	15 1/2	15 1/2	15 1/2
	10	42 3/4	35 3/4	44 1/8	39 1/8	39 1/8	39 3/4	45 3/4	42	54 1/4	49 3/4	65	62 1/4	76 1/4	
	11	1	1 3/8	1 1/2	2 1/16	2 1/16	2 1/2	2 1/2	3 1/16	3 1/16	3 1/8	3 1/8	3 1/4	3 1/4	
	12	37	31	38	33	33	39	34	40	35	47	42	57	53	67
INLET PIPES SIZE		2 THR.	2 1/2	2 1/2	3 FLG.	3 FLG.	4 FLG.	4 FLG.	4 FLG.	4 FLG.	5 FLG.	5 FLG.	6 FLG.	6 FLG.	
OUTLET PIPES SIZE		2 THR.	2 1/2	2 1/2	3 FLG.	3 FLG.	4 FLG.	4 FLG.	4 FLG.	4 FLG.	5 FLG.	5 FLG.	6 FLG.	6 FLG.	
VALVE SIZE AND OVERALL LOCATION															
VALVE SIZE	ITEM														
1/2"	'A'	3/4													
	'B'	69 1/16	69 3/16	69 11/16	71 5/8	71 5/8	85 5/16	85 5/16	87	87	86 3/4	86 3/4	88 1/2	88 1/2	
	'C'	17 7/8	18 3/8	18 5/8	19 5/8	19 5/8	22 1/8	22 1/8	23 5/8	23 5/8	25 5/8	25 5/8	27 5/8	27 5/8	
	'D'	69 1/8	70 1/2	71	72 15/16	72 15/16	86 5/8	86 5/8	88 5/16	88 5/16	88 1/16	88 1/16	89 13/16	89 13/16	
	'E'	32 1/16	32 3/16	32 11/16	34 5/8	34 5/8	35 7/16	35 7/16	37 1/8	37 1/8	36 7/8	36 7/8	38 5/8	38 5/8	
3/4"	'A'	1													
	'B'	69 1/8	70 1/2	71	72 15/16	72 15/16	86 5/8	86 5/8	88 5/16	88 5/16	88 1/16	88 1/16	89 13/16	89 13/16	
	'C'	19 1/8	19 5/8	19 7/8	20 7/8	20 7/8	23 3/8	23 3/8	24 7/8	24 7/8	26 7/8	26 7/8	28 7/8	28 7/8	
	'D'	69 1/8	70 1/2	71	72 15/16	72 15/16	86 5/8	86 5/8	88 5/16	88 5/16	88 1/16	88 1/16	89 13/16	89 13/16	
	'E'	32 1/8	33 1/2	34	35 15/16	35 15/16	36 3/4	36 3/4	38 7/16	38 7/16	38 3/16	38 3/16	39 15/16	39 15/16	
1"	'A'	1 1/4													
	'B'	68 7/16	69 13/16	70 5/16	72 1/4	72 1/4	85 15/16	85 15/16	87 5/8	87 5/8	87 3/8	87 3/8	89 1/8	89 1/8	
	'C'	20 5/16	22 1/8	22 3/8	23 3/8	23 3/8	25 7/8	25 7/8	27 3/8	27 3/8	29 3/8	29 3/8	31 3/8	31 3/8	
	'D'	69 7/8	71 1/4	71 3/4	73 11/16	73 11/16	87 3/8	87 3/8	89 1/16	89 1/16	88 13/16	88 13/16	90 9/16	90 9/16	
	'E'	31 7/16	32 13/16	33 5/16	35 1/4	35 1/4	36 1/16	36 1/16	37 3/4	37 3/4	37 1/2	37 1/2	39 1/4	39 1/4	
1 1/4"	'A'	1 1/2													
	'B'	69 1/2	70 7/8	71 3/8	73 5/16	73 5/16	87	87	88 11/16	88 11/16	88 7/16	88 7/16	90 3/16	90 3/16	
	'C'	20 15/16	21 7/16	22 11/16	22 11/16	22 11/16	25 3/16	25 3/16	26 11/16	26 11/16	28 11/16	28 11/16	30 11/16	30 11/16	
	'D'	70 3/8	71 3/4	72 1/4	74 3/16	74 3/16	87 7/8	87 7/8	89 9/16	89 9/16	89 5/16	89 5/16	91 1/16	91 1/16	
	'E'	32 1/2	33 7/8	34 3/8	36 5/16	36 5/16	37 1/8	37 1/8	38 13/16	38 13/16	38 9/16	38 9/16	40 5/16	40 5/16	
1 1/2"	'A'	2													
	'B'	69 1/2	70 7/8	71 3/8	73 5/16	73 5/16	87	87	88 11/16	88 11/16	88 7/16	88 7/16	90 3/16	90 3/16	
	'C'	22 11/16	23 3/16	23 7/16	24 7/16	24 7/16	26 15/16	26 15/16	28 7/16	28 7/16	30 7/16	30 7/16	32 7/16	32 7/16	
	'D'	70 5/8	72	72 1/2	74 7/16	74 7/16	88 1/8	88 1/8	89 13/16	89 13/16	89 9/16	89 9/16	91 5/16	91 5/16	
	'E'	32 1/2	33 7/8	34 3/8	36 5/16	36 5/16	37 1/8	37 1/8	38 13/16	38 13/16	38 9/16	38 9/16	40 5/16	40 5/16	
2"	'A'	2 1/2													
	'B'	69 15/16	71 5/16	71 13/16	73 3/4	73 3/4	87 7/16	87 7/16	89 1/8	89 1/8	88 7/8	88 7/8	90 5/8	90 5/8	
	'C'	30 1/16	30 9/16	30 13/16	31 13/16	31 13/16	34 5/16	34 5/16	35 13/16	35 13/16	37 13/16	37 13/16	39 13/16	39 13/16	
	'D'	73 15/16	75 5/16	75 13/16	77 3/4	77 3/4	91 7/16	91 7/16	93 1/8	93 1/8	92 7/8	92 7/8	94 5/8	94 5/8	
	'E'	32 15/16	34 5/16	34 13/16	36 3/4	36 3/4	37 9/16	37 9/16	39 1/4	39 1/4	39	39	40 3/4	40 3/4	
2 1/2"	'A'	3													
	'B'	N/A	64 9/16	65 1/16	67	67	80 11/16	80 11/16	82 3/8	82 3/8	82 1/8	82 1/8	83 7/8	83 7/8	
	'C'	N/A	20 5/8	20 7/8	21 7/8	21 7/8	24 3/8	24 3/8	25 7/8	25 7/8	27 7/8	27 7/8	29 7/8	29 7/8	
	'D'	N/A	72 5/8	73 1/8	75 1/16	75 1/16	88 3/4	88 3/4	90 7/16	90 7/16	90 3/16	90 3/16	91 15/16	91 15/16	
	'E'	N/A	27 9/16	28 1/16	30	30	30 13/16	30 13/16	32 1/2	32 1/2	32 1/4	32 1/4	34	34	
3"	'A'	4													
	'B'	N/A	N/A	67 5/8	69 9/16	69 9/16	83 1/4	83 1/4	84 15/16	84 15/16	84 11/16	84 11/16	86 7/16	86 7/16	
	'C'	N/A	N/A	22 5/16	23 5/16	23 5/16	25 13/16	25 13/16	27 5/16	27 5/16	29 5/16	29 5/16	31 5/16	31 5/16	
	'D'	N/A	N/A	76 5/16	78 1/4	78 1/4	91 15/16	91 15/16	93 5/8	93 5/8	93 3/8	93 3/8	95 1/8	95 1/8	
	'E'	N/A	N/A	30 5/8	32 9/16	32 9/16	33 3/8	33 3/8	35 1/16	35 1/16	34 13/16	34 13/16	36 9/16	36 9/16	
4"	'A'	6													
	'B'	N/A	N/A	N/A	71 9/16	71 9/16	85 1/4	85 1/4	86 15/16	86 15/16	86 11/16	86 11/16	88 7/16	88 7/16	
	'C'	N/A	N/A	N/A	19 9/16	19 9/16	19 9/16	19 9/16	19 9/16	19 9/16	19 9/16	19 9/16	19 9/16	19 9/16	
	'D'	N/A	N/A	N/A	77 3/4	77 3/4	91 7/16	91 7/16	93 1/8	93 1/8	92 7/8	92 7/8	94 5/8	94 5/8	
	'E'	N/A	N/A	N/A	34 9/16	34 9/16	35 3/8	35 3/8	37 1/16	37 1/16	36 13/16	36 13/16	38 9/16	38 9/16	
5"	'A'	6													
	'B'	N/A	N/A	N/A	N/A	N/A	85 1/4	85 1/4	86 15/16	86 15/16	86 11/16	86 11/16	88 7/16	88 7/16	
	'C'	N/A	N/A	N/A	N/A	N/A	22 13/16	22 13/16	22 13/16	22 13/16	22 13/16	22 13/16	22 13/16	22 13/16	
	'D'	N/A	N/A	N/A	N/A	N/A	91 15/16	91 15/16	93 5/8	93 5/8	93 3/8	93 3/8	95 1/8	95 1/8	
	'E'	N/A	N/A	N/A	N/A	N/A	35 3/8	35 3/8	37 1/16	37 1/16	36 13/16	36 13/16	38 9/16	38 9/16	

ISOMETRIC VIEW



NOTES:

- 1/ DIMENSIONS IN INCHES, AND SUBJECT TO CHANGE WITHOUT NOTICE.
- 2/ DIM 'B', 'C', 'D', 'E' ARE TO BE APPROXIMATED ONLY, CONSULT FACTORY FOR TIGHT DIMENSIONS.

<b>ACE HEATERS, LLC</b> www.aceheaters.com		A.I:
<small>This document contains proprietary information from AHS, LLC. Do not reproduce or distribute without prior written consent of AHS, LLC.</small>		
<small>ASME Section VIII Div 1: 2015 Ed. Design Pressure: 150 psig Test Pressure: 195 psig Max Design Temperature: 370°F</small>		
SCALE: NA	Filename: SIHSW - COVER	SHEET 2 OF 2
Dwg By: JL	Orig Date: 12/22/15	Rev Date:
	Checked By:	
<b>MINIPACK SYSTEM - HORIZONTAL - SW</b> <b>STEAM - PILOT VALVE PACKAGE - DUAL UNIT ON DUAL RACK</b>		
Dwg #: SIHSWSP-2-DR - DIM	So:	REV 01