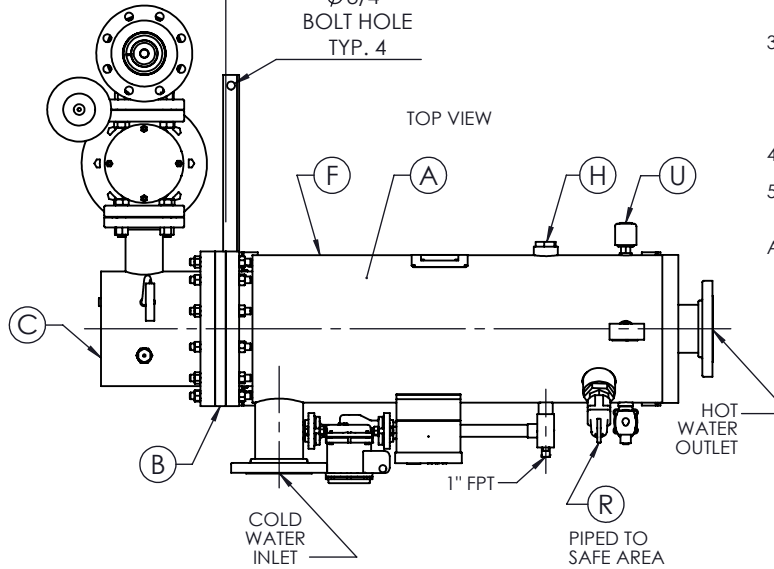


CLEARANCE FOR
BUNDLE REMOVAL
FROM SHELL FLANGE

11

Ø 3/4"
BOLT HOLE
TYP. 4

TOP VIEW



COLD WATER
INLET

1" FPT

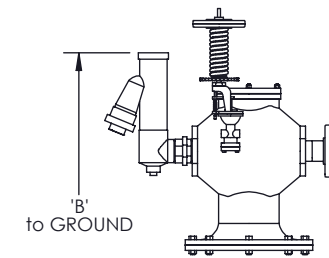
HOT
WATER
OUTLET

PIPED TO
SAFE AREA

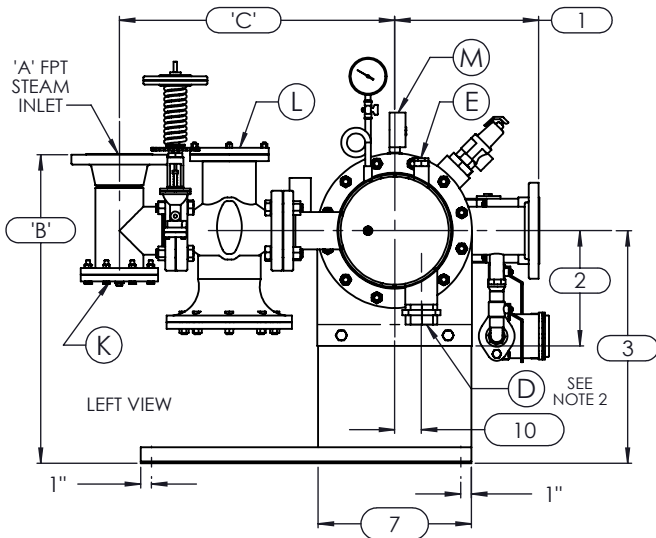
NOTES:

1. REFER TO PRODUCT SPECIFICATION FOR DESCRIPTION OF LETTERED ITEMS.
2. CONDENSATE:
CONDENSATE IS TO BE PIPED FROM HEATER WITHOUT LIFTS TO A VENTED RECEIVER OR DRAIN BELOW THE ELEVATION OF THE HEATER'S CONDENSATE OUTLET.
3. INSTALLATION:
ALL COMPONENTS SHOWN HERE ARE PREWIRED & PREPIPED BY ACE HEATERS. CUSTOMER WILL ONLY NEED TO PLUMB WATER TO BE HEATED, PIPE STEAM AND CONDENSATE LINES, AND BRING ELECTRICITY TO UNIT.
4. DIMENSIONS ARE SUBJECT TO CHANGE. CONSULT FACTORY FOR TIGHT DIMENSIONS.
5. THIS CONFIGURATION CHANGES FOR VALVE SIZE 1/2" TO 2". SEE DETAIL 1 FOR REFERENCE.

APPROX. EMPTY WT:



DETAIL 1

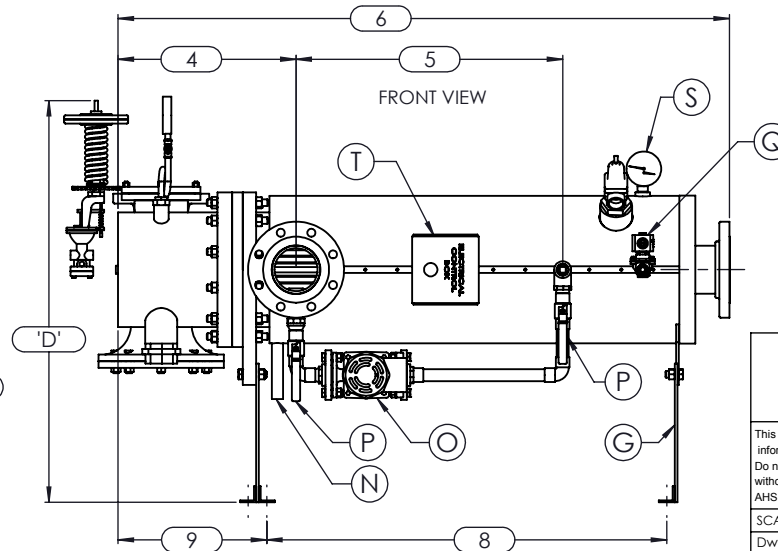


'A' FPT
STEAM
INLET

'B'

LEFT VIEW

SEE
NOTE 2



FRONT VIEW

	CERTIFIED BY	
	Ace Heaters, LLC www.aceheaters.com	
	MAXIMUM ALLOWABLE WORKING PRESSURE	
	SHELL	150 PSI @ 210 °F
	TUBES	150 PSI @ 370 °F
MIN. D.M.T. 0 °F @ 150 PSI		
S/N _____ YEAR BUILT _____		
MODEL _____		
CAPACITY _____ GAL SA. _____		
JOB NO. _____		

ACE HEATERS, LLC
www.aceheaters.com

This document contains proprietary information from AHS, LLC. Do not reproduce or distribute without prior written consent of AHS, LLC.	ASME Section VIII Div 1: 2015 Ed. Design Pressure: 150 psig Test Pressure: 195 psig Max Design Temperature: 370°F	A.I:
---	--	------

SCALE: NA	Filename: SIHSW	SHEET 1 OF 2
Dwg By: JL	Orig Date: 12/17/15	Rev Date: _____
	Checked By: _____	

MINIPACK SYSTEM - HORIZONTAL - SW
Steam - Pilot Operated Valve Package

Dwg #: SIHSWSP	SO: _____	REV 01
----------------	-----------	--------

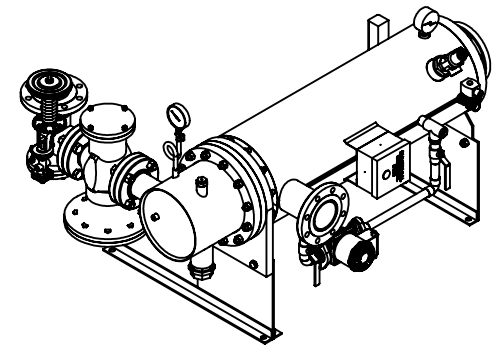
SIHSWSP, SW - STEAM - PILOT OPERATED VALVE PACKAGE SIZE AND LOCATION

MP SIZE	4	5	6	8	8L	10	10L	12	12L	14	14L	16	16L	
DIMENSION	1	9 1/2	11 1/2	12	11 9/16	11 9/16	13 7/16	13 7/16	14 7/16	14 7/16	15 3/4	15 3/4	17 5/8	17 5/8
	2	6 5/16	7 11/16	8 3/16	10 1/8	10 1/8	10 13/16	10 13/16	12 1/2	12 1/2	12 1/4	12 1/4	14	14
	3	13 1/2	14 7/8	15 3/8	18 5/16	18 5/16	22 3/16	22 3/16	26 7/8	26 7/8	26 5/8	26 5/8	28 3/8	28 3/8
	4	12 7/8	12 7/8	13 3/8	14 7/8	14 7/8	16 3/8	15 11/16	22 5/16	22 5/16	23 7/16	23 11/16	26 15/16	26 15/16
	5	30	23	30 1/4	24 3/4	30 3/4	25	31 11/16	24 1/2	36 1/2	30 1/2	45 3/4	40 1/2	54 1/2
	6	56	49	57 3/8	53 7/8	59 7/8	57	63	63 15/16	75 15/16	73 1/16	88 5/16	88 1/16	102
	7	7 5/8	8 3/4	9 7/8	11 7/8	11 7/8	14 1/2	14 1/2	16 5/8	16 5/8	18 1/2	18 1/2	20	20
	8	42 3/8	33 1/4	41 5/8	36 3/4	42 3/4	37 3/8	43 3/8	38 3/8	50 3/8	46 1/8	61 3/8	58 5/8	72 5/8
	9	10 5/8	10 3/4	10 3/4	11 5/8	11 5/8	13 5/8	13 5/8	18 15/16	18 15/16	19 13/16	19 13/16	22 5/16	22 5/16
	10	1	1 3/8	1 1/2	2 1/16	2 1/16	2 1/2	2 1/2	3 1/16	3 1/16	3 1/8	3 1/8	3 1/4	3 1/4
	11	37	31	38	33	39	34	40	35	47	42	57	53	67
INLET PIPE SIZE	2 THR.	2 1/2	2 1/2	3 FLG.	3 FLG.	4 FLG.	4 FLG.	4 FLG.	4 FLG.	5 FLG.	5 FLG.	6 FLG.	6 FLG.	
OUTLET PIPE SIZE	2 THR.	2 1/2	2 1/2	3 FLG.	3 FLG.	4 FLG.	4 FLG.	4 FLG.	4 FLG.	5 FLG.	5 FLG.	6 FLG.	6 FLG.	

VALVE SIZE AND OVERALL LOCATION

VALVE SIZE	ITEM													
1/2"	'A'	3/4												
	'B'	24	25 3/8	25 7/8	28 13/16	28 13/16	32 11/16	32 11/16	37 3/8	37 3/8	37 1/8	37 1/8	38 7/8	38 7/8
	'C'	17 7/8	18 3/8	18 5/8	19 5/8	19 5/8	22 1/8	22 1/8	23 5/8	23 5/8	25 5/8	25 5/8	27 5/8	27 5/8
	'D'	24 1/16	25 7/16	25 15/16	28 7/8	28 7/8	32 3/4	32 3/4	37 7/16	37 7/16	37 3/16	37 3/16	38 15/16	38 15/16
3/4"	'A'	1												
	'B'	24 1/16	25 7/16	25 15/16	28 7/8	28 7/8	32 3/4	32 3/4	37 7/16	37 7/16	37 3/16	37 3/16	38 15/16	38 15/16
	'C'	19 1/8	19 5/8	19 7/8	20 7/8	20 7/8	23 3/8	23 3/8	24 7/8	24 7/8	26 7/8	26 7/8	28 7/8	28 7/8
	'D'	24 1/16	25 7/16	25 15/16	28 7/8	28 7/8	32 3/4	32 3/4	37 7/16	37 7/16	37 3/16	37 3/16	38 15/16	38 15/16
1"	'A'	1 1/4												
	'B'	23 3/8	24 3/4	25 1/4	28 3/16	28 3/16	32 1/16	32 1/16	36 3/4	36 3/4	36 1/2	36 1/2	38 1/4	38 1/4
	'C'	20 5/16	22 1/8	22 3/8	23 3/8	23 3/8	25 7/8	25 7/8	27 3/8	27 3/8	29 3/8	29 3/8	31 3/8	31 3/8
	'D'	24 13/16	26 3/16	26 11/16	29 5/8	29 5/8	33 1/2	33 1/2	38 3/16	38 3/16	37 15/16	37 15/16	39 11/16	39 11/16
1 1/4"	'A'	1 1/2												
	'B'	24 7/16	25 13/16	26 5/16	29 1/4	29 1/4	33 1/8	33 1/8	37 13/16	37 13/16	37 9/16	37 9/16	39 5/16	39 5/16
	'C'	20 15/16	21 7/16	21 11/16	22 11/16	22 11/16	25 3/16	25 3/16	26 11/16	26 11/16	28 11/16	28 11/16	30 11/16	30 11/16
	'D'	25 5/16	26 11/16	27 3/16	30 1/8	30 1/8	34	34	38 11/16	38 11/16	38 7/16	38 7/16	40 3/16	40 3/16
1 1/2"	'A'	2												
	'B'	24 7/16	25 13/16	26 5/16	29 1/4	29 1/4	33 1/8	33 1/8	37 13/16	37 13/16	37 9/16	37 9/16	39 5/16	39 5/16
	'C'	22 11/16	23 3/16	23 7/16	24 7/16	24 7/16	26 15/16	26 15/16	28 7/16	28 7/16	30 7/16	30 7/16	32 7/16	32 7/16
	'D'	25 9/16	26 15/16	27 7/16	30 3/8	30 3/8	34 1/4	34 1/4	38 15/16	38 15/16	38 11/16	38 11/16	40 7/16	40 7/16
2"	'A'	2 1/2												
	'B'	24 7/8	26 1/4	26 3/4	29 11/16	29 11/16	33 9/16	33 9/16	38 1/4	38 1/4	38	38	39 3/4	39 3/4
	'C'	30 1/16	30 9/16	30 13/16	31 13/16	31 13/16	34 5/16	34 5/16	35 13/16	35 13/16	37 13/16	37 13/16	39 13/16	39 13/16
	'D'	28 7/8	30 1/4	30 3/4	33 11/16	33 11/16	37 9/16	37 9/16	42 1/4	42 1/4	42	42	43 3/4	43 3/4
2 1/2"	'A'	3												
	'B'	N/A	19 1/2	20	22 15/16	22 15/16	26 13/16	26 13/16	31 1/2	31 1/2	31 1/4	31 1/4	33	33
	'C'	N/A	20 5/8	20 7/8	21 7/8	21 7/8	24 3/8	24 3/8	25 7/8	25 7/8	27 7/8	27 7/8	29 7/8	29 7/8
	'D'	N/A	27 9/16	28 1/16	31	31	34 7/8	34 7/8	39 9/16	39 9/16	39 5/16	39 5/16	41 1/16	41 1/16
3"	'A'	4												
	'B'	N/A	N/A	22 9/16	25 1/2	25 1/2	29 3/8	29 3/8	34 1/16	34 1/16	33 13/16	33 13/16	35 9/16	35 9/16
	'C'	N/A	N/A	22 5/16	23 5/16	23 5/16	25 13/16	25 13/16	27 5/16	27 5/16	29 5/16	29 5/16	31 5/16	31 5/16
	'D'	N/A	N/A	31 1/4	34 3/16	34 3/16	38 1/16	38 1/16	42 3/4	42 3/4	42 1/2	42 1/2	44 1/4	44 1/4
4"	'A'	6												
	'B'	N/A	N/A	N/A	27 1/2	27 1/2	31 3/8	31 3/8	36 1/16	36 1/16	35 13/16	35 13/16	37 9/16	37 9/16
	'C'	N/A	N/A	N/A	19 9/16	19 9/16	19 9/16	19 9/16	19 9/16	19 9/16	19 9/16	19 9/16	19 9/16	19 9/16
	'D'	N/A	N/A	N/A	33 11/16	33 11/16	37 9/16	37 9/16	42 1/4	42 1/4	42	42	43 3/4	43 3/4
5"	'A'	6												
	'B'	N/A	N/A	N/A	N/A	N/A	31 3/8	31 3/8	36 1/16	36 1/16	35 13/16	35 13/16	37 9/16	37 9/16
	'C'	N/A	N/A	N/A	N/A	N/A	22 13/16	22 13/16	22 13/16	22 13/16	22 13/16	22 13/16	22 13/16	22 13/16
	'D'	N/A	N/A	N/A	N/A	N/A	38 1/16	38 1/16	42 3/4	42 3/4	42 1/2	42 1/2	44 1/4	44 1/4

ISOMETRIC VIEW



NOTES:

- 1/ DIMENSIONS IN INCHES, AND SUBJECT TO CHANGE WITHOUT NOTICE.
- 2/ DIM 'B', 'C', 'D' ARE TO BE APPROXIMATED ONLY, CONSULT FACTORY FOR TIGHT DIMENSIONS.

ACE HEATERS, LLC

www.aceheaters.com

This document contains proprietary information from AHS, LLC. Do not reproduce or distribute without prior written consent of AHS, LLC.	ASME Section VIII Div 1: 2015 Ed. Design Pressure: 150 psig Test Pressure: 195 psig Max Design Temperature: 370°F	A.I:
	SCALE: NA	Filename: SIHSW - COVER

Dwg By: JL	Orig Date: 12/17/15	Rev Date:	Checked By:
------------	---------------------	-----------	-------------

MINIPACK SYSTEM - HORIZONTAL - SW
Steam - Pilot Operated Valve Package