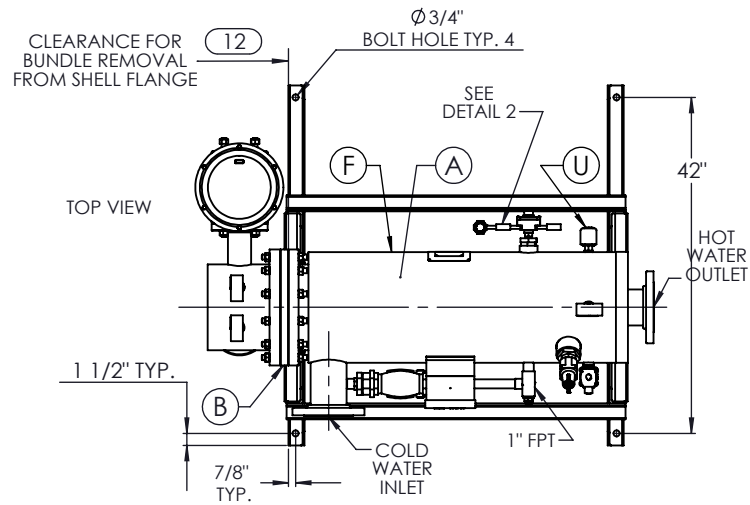
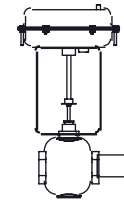


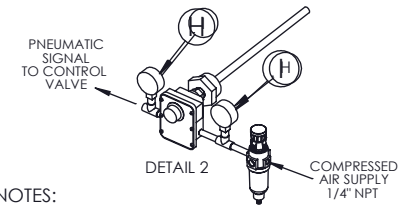
ISOMETRIC VIEW



TOP VIEW



DETAIL 1

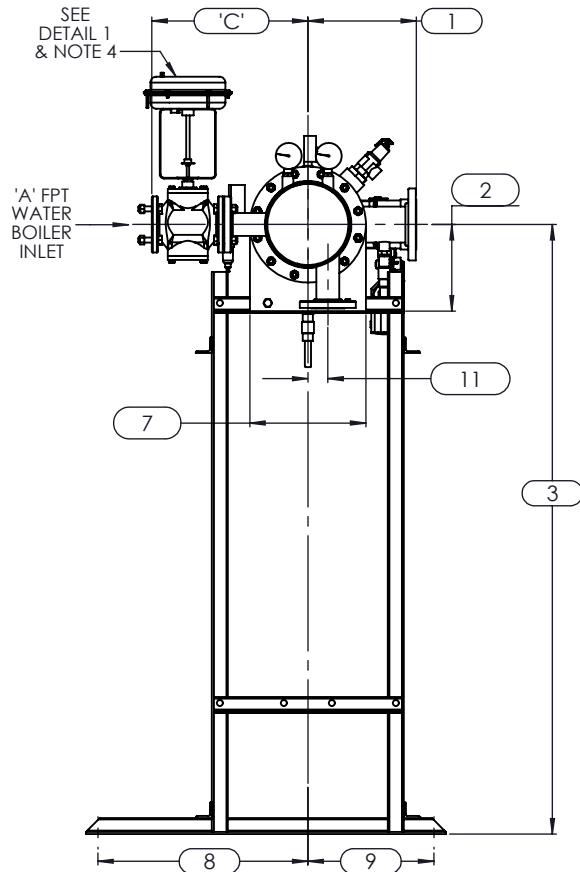


DETAIL 2

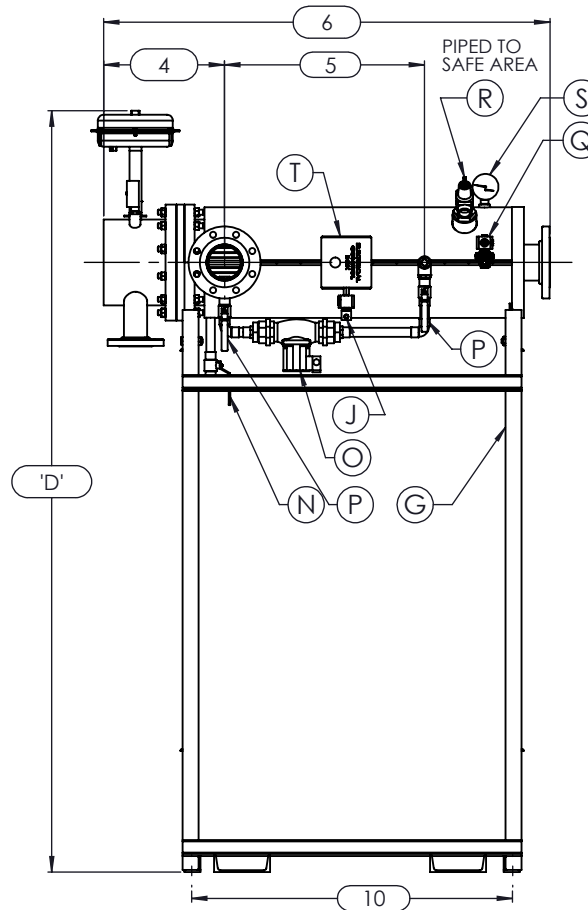
NOTES:

1. REFER TO PRODUCT SPECIFICATION FOR DESCRIPTION OF LETTERED ITEMS.
2. INSTALLATION: ALL COMPONENTS SHOWN HERE ARE PREWIRED & PREPIPED BY ACE HEATING SOLUTIONS, LLC. CUSTOMER WILL ONLY NEED TO PLUMB WATER TO BE HEATED, PIPE STEAM AND CONDENSATE LINES, AND BRING ELECTRICITY TO UNIT.
3. DIMENSIONS ARE SUBJECT TO CHANGE. CONSULT FACTORY FOR TIGHT DIMENSIONS.
4. THIS CONFIGURATION CHANGES FOR VALVE SIZE 1/2" TO 2". SEE DETAIL 1 FOR REFERENCE.

APPROX. EMPTY WT:



LEFT VIEW



FRONT VIEW

	CERTIFIED BY Ace Heaters, LLC www.aceheaters.com	
	MAXIMUM ALLOWABLE WORKING PRESSURE	
	SHELL 150 PSI @ 210 °F	TUBES 150 PSI @ 370 °F
	MIN. D.M.T. 0 °F @ 150 PSI	
	S/N _____ YEAR BUILT _____	
MODEL _____		
CAPACITY _____ GAL SA. _____		
JOB NO. _____ XXX		

ACE HEATERS, LLC
www.aceheaters.com

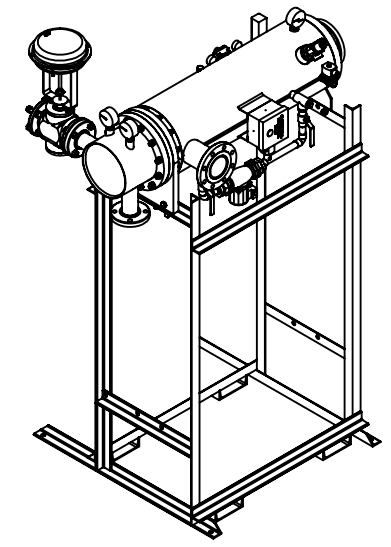
This document contains proprietary information from AHS, LLC. Do not reproduce or distribute without prior written consent of AHS, LLC.		ASME Section VIII Div 1: 2015 Ed. Design Pressure: 150 psig Test Pressure: 195 psig Max Design Temperature: 370°F		A.I:
SCALE: NA	Filename: SIHSW - COVER			
Dwg By: JL	Orig Date: 12/23/15	Rev Date:	Checked By:	
MINIPACK SYSTEM - HORIZONTAL - SW				
WATER 2W - PNEUMATIC VALVE PACKAGE - SINGLE UNIT ON DUAL RACK				
Dwg #: SIHSWWA-1-DR-2W				SO:
				REV 01

SIHSW W A-2W-1DR - DIM, SW - WATER - PNEUMATIC 2-WAY MIXING VALVE PACKAGE SIZE AND LOCATION: SINGLE UNIT ON RACK

ITEMS	MP SIZE	4	5	6	8	8L	10	10L	12	12L	14	14L	16	16L
		1	9 1/2	11 1/2	12	11 9/16	11 9/16	13 7/16	13 7/16	14 7/16	14 7/16	15 3/4	15 3/4	17 5/8
2	6 5/16	7 11/16	8 3/16	10 1/8	10 1/8	10 13/16	10 13/16	12 1/2	12 1/2	12 1/4	12 1/4	14	14	
3	58 9/16	59 15/16	60 7/16	62 3/8	62 3/8	76 1/16	76 1/16	77 3/4	77 3/4	77 1/2	77 1/2	79 1/4	79 1/4	
4	12 7/8	12 7/8	13 3/8	14 7/8	14 7/8	14 7/8	14 3/16	16 5/16	16 5/16	20 1/4	20 1/4	22 1/2	22 1/2	
5	30	23	30 1/4	24 3/4	30 3/4	25	31 11/16	24 1/2	36 1/2	30 1/2	45 3/4	40 1/2	54 1/2	
6	56	49	57 3/8	53 7/8	59 7/8	55 1/2	61 1/2	57 15/16	69 15/16	69 7/8	85 1/8	83 5/8	97 5/8	
7	7 1/2	8 5/8	9 3/4	11 3/4	11 3/4	14 3/8	14 3/8	16 1/2	16 1/2	18 1/2	18 1/2	20	20	
8	42 3/8	33 1/4	41 5/8	36 3/4	42 3/4	37 3/8	43 3/8	38 3/8	50 3/8	46 1/8	61 3/8	58 5/8	72 5/8	
9	10 5/8	10 3/4	10 3/4	11 5/8	11 5/8	12 1/8	12 1/8	12 15/16	12 15/16	16 5/8	16 5/8	17 7/8	17 7/8	
10	42 3/4	35 3/4	44 1/8	39 1/8	44 7/8	39 3/4	45 3/4	42	54 1/4	49 3/4	65	62 1/4	76 1/4	
11	1	1 3/8	1 1/2	2 1/16	2 1/16	2 1/2	2 1/2	3 1/16	3 1/16	3 1/8	3 1/8	3 1/4	3 1/4	
12	37	31	38	33	39	34	40	35	47	42	57	53	67	
INLET PIPE SIZE		2 THR.	2 1/2 FLG.	2 1/2 FLG.	3 FLG.	3 FLG.	4 FLG.	4 FLG.	4 FLG.	4 FLG.	5 FLG.	5 FLG.	6 FLG.	6 FLG.
OUTLET PIPE SIZE		2 THR.	2 1/2 FLG.	2 1/2 FLG.	3 FLG.	3 FLG.	4 FLG.	4 FLG.	4 FLG.	5 FLG.	5 FLG.	6 FLG.	6 FLG.	

VALVE SIZE 'A'	ITEM	VALVE SIZE AND OVERALL LOCATION													
1/2"	'C'	15 9/16	16 1/16	16 5/16	17 5/16	17 5/16	19 13/16	19 13/16	21 5/16	21 5/16	23 5/16	23 5/16	25 5/16	25 5/16	
	'D'	74 3/8	75 3/4	76 1/4	78 3/16	78 3/16	91 7/8	91 7/8	93 9/16	93 9/16	93 5/16	93 5/16	95 1/16	95 1/16	
3/4"	'C'	16 9/16	17 1/16	17 5/16	18 5/16	18 5/16	20 13/16	20 13/16	22 5/16	22 5/16	24 5/16	24 5/16	26 5/16	26 5/16	
	'D'	74 3/8	75 3/4	76 1/4	78 3/16	78 3/16	91 7/8	91 7/8	93 9/16	93 9/16	93 5/16	93 5/16	95 1/16	95 1/16	
1"	'C'	16 9/16	17 1/16	17 5/16	18 5/16	18 5/16	20 13/16	20 13/16	22 5/16	22 5/16	24 5/16	24 5/16	26 5/16	26 5/16	
	'D'	74 3/8	75 3/4	76 1/4	78 3/16	78 3/16	91 7/8	91 7/8	93 9/16	93 9/16	93 5/16	93 5/16	95 1/16	95 1/16	
1 1/4"	'C'	16 9/16	17 1/16	17 5/16	18 5/16	18 5/16	20 13/16	20 13/16	22 5/16	22 5/16	24 5/16	24 5/16	26 5/16	26 5/16	
	'D'	74 3/8	75 3/4	76 1/4	78 3/16	78 3/16	91 7/8	91 7/8	93 9/16	93 9/16	93 5/16	93 5/16	95 1/16	95 1/16	
1 1/2"	'C'	16 9/16	17 1/16	17 5/16	18 5/16	18 5/16	20 13/16	20 13/16	22 5/16	22 5/16	24 5/16	24 5/16	26 5/16	26 5/16	
	'D'	75 1/8	76 1/2	77	78 15/16	78 15/16	92 5/8	92 5/8	94 5/16	94 5/16	94 1/16	94 1/16	95 13/16	95 13/16	
2"	'C'	17 15/16	18 7/16	18 11/16	19 11/16	19 11/16	22 3/16	22 3/16	23 11/16	23 11/16	25 11/16	25 11/16	27 11/16	27 11/16	
	'D'	76 13/16	78 3/16	78 11/16	80 5/8	80 5/8	94 5/16	94 5/16	96	96	95 3/4	95 3/4	97 1/2	97 1/2	
2 1/2"	'C'	N/A	15 3/4	16	17	17	19 1/2	19 1/2	21	21	23	23	25	25	
	'D'	N/A	78 15/16	79 7/16	81 3/8	81 3/8	95 1/16	95 1/16	96 3/4	96 3/4	96 1/2	96 1/2	98 1/4	98 1/4	
3"	'C'	N/A	N/A	17	18	18	20 1/2	20 1/2	22	22	24	24	26	26	
	'D'	N/A	N/A	81 5/16	83 1/4	83 1/4	96 15/16	96 15/16	98 5/8	98 5/8	98 3/8	98 3/8	100 1/8	100 1/8	
4"	'C'	N/A	N/A	N/A	21	21	23 1/2	23 1/2	25	25	27	27	29	29	
	'D'	N/A	N/A	N/A	85 1/4	85 1/4	98 15/16	98 15/16	100 5/8	100 5/8	100 3/8	100 3/8	102 1/8	102 1/8	
5"	'C'	N/A	N/A	N/A	N/A	N/A	26 1/4	26 1/4	27 3/4	27 3/4	29 3/4	29 3/4	31 3/4	31 3/4	
	'D'	N/A	N/A	N/A	N/A	N/A	98 15/16	98 15/16	100 5/8	100 5/8	100 3/8	100 3/8	102 1/8	102 1/8	

ISOMETRIC VIEW



- NOTES:
- 1/ DIMENSIONS IN INCHES, AND SUBJECT TO CHANGE WITHOUT NOTICE.
 - 2/ DIM 'B', 'C', 'D' ARE TO BE APPROXIMATED ONLY, CONSULT FACTORY FOR TIGHT DIMENSIONS.

ACE HEATERS, LLC		
This document contains proprietary information from AHS, LLC. Do not reproduce or distribute without prior written consent of AHS, LLC.	ASME Section VIII Div 1: 2015 Ed. Design Pressure: 150 psig Test Pressure: 195 psig Max Design Temperature: 370°F	A.I.
SCALE: NA	Filename: SIHSW - COVER	SHEET 2 OF 2
Dwg By: JL	Orig Date: 12/23/15	Rev Date: _____ Checked By: _____
MINIPACK SYSTEM - HORIZONTAL - SW WATER 2W - PNEUMATIC VALVE PACKAGE - SINGLE UNIT ON DUAL RACK		
Dwg #: SIHSWAA-1-DR-2W - DIM	SO:	REV 01