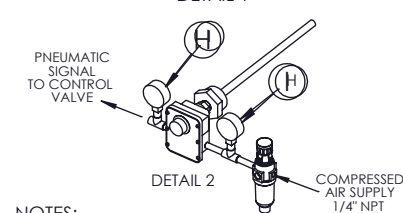
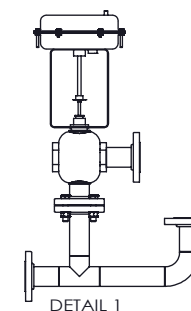
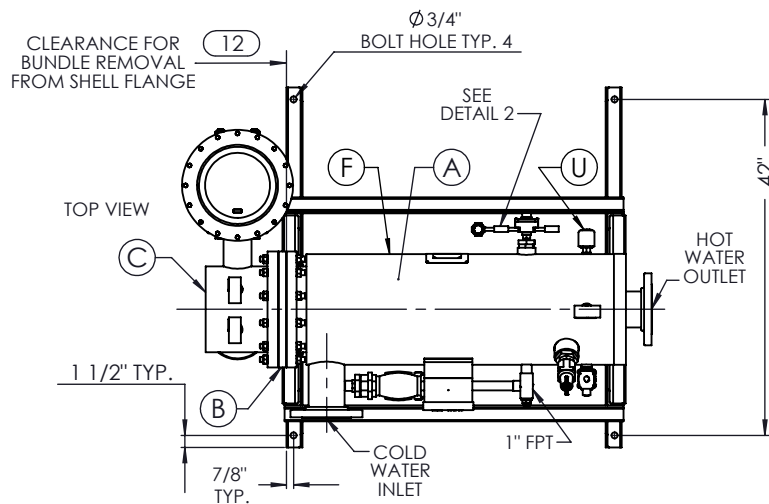


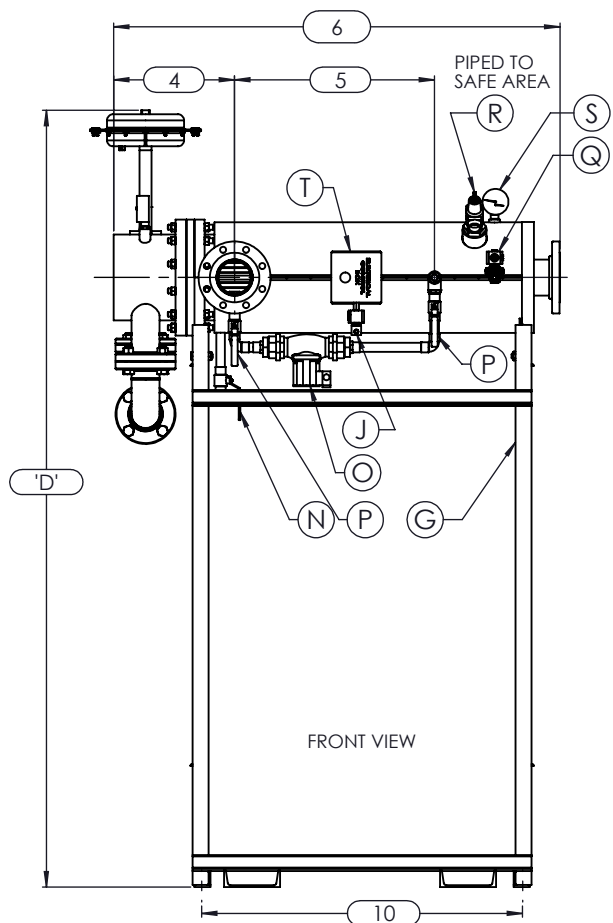
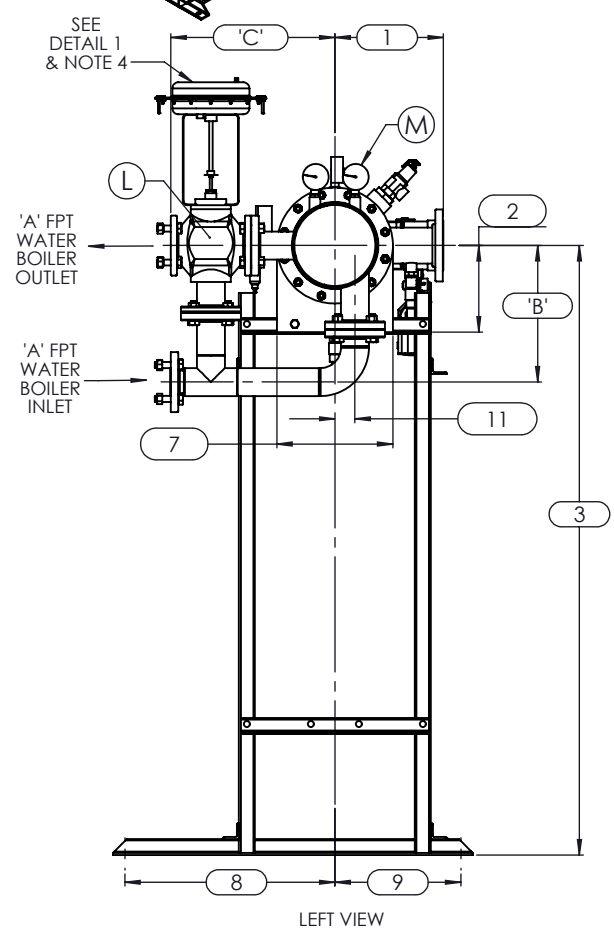
ISOMETRIC VIEW



NOTES:

1. REFER TO PRODUCT SPECIFICATION FOR DESCRIPTION OF LETTERED ITEMS.
2. INSTALLATION:
ALL COMPONENTS SHOWN HERE ARE PREWIRED & PREPARED BY ACE HEATERS. CUSTOMER WILL ONLY NEED TO PLUMB WATER TO BE HEATED, PIPE STEAM AND CONDENSATE LINES, AND BRING ELECTRICITY TO UNIT.
3. DIMENSIONS ARE SUBJECT TO CHANGE. CONSULT FACTORY FOR TIGHT DIMENSIONS.
4. THIS CONFIGURATION CHANGES FOR VALVE SIZE 1/2" TO 2". SEE DETAIL 1 FOR REFERENCE.

APPROX. EMPTY WT.:



 U W RES	CERTIFIED BY Ace Heaters, LLC www.aceheaters.com
	MAXIMUM ALLOWABLE WORKING PRESSURE SHELL 150 PSI @ 210 °F TUBES 150 PSI @ 370 °F
	MIN. D.M.T. 0 °F @ 150 PSI S/N _____ YEAR BUILT _____
	MODEL _____ CAPACITY _____ GAL SA. _____
	JOB NO. _____ XXX

ACE HEATERS, LLC
www.aceheaters.com

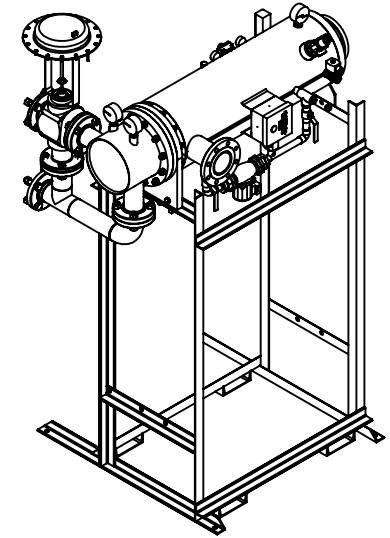
This document contains proprietary information from AHS, LLC. Do not reproduce or distribute without prior written consent of AHS, LLC.	ASME Section VIII Div 1: 2015 Ed. Design Pressure: 150 psig Test Pressure: 195 psig Max Design Temperature: 370°F	A.I.:
SCALE: NA Dwg By: JL Orig Date: 12/23/15 Rev Date:	Filename: SIHSW - COVER Rev Date:	Checked By:
MINIPACK SYSTEM - HORIZONTAL - SW WATER 3W - PNEUMATIC VALVE PACKAGE - SINGLE UNIT ON DUAL RACK		
Dwg #: SIHSWWA-1-DR-3W [SO:		REV 01

SIHSW W A-3W-1DR - DIM, SW - WATER - PNEUMATIC 3-WAY MIXING VALVE PACKAGE SIZE AND LOCATION: SINGLE UNIT ON RACK

ITEMS	MP SIZE	4	5	6	8	8L	10	10L	12	12L	14	14L	16	16L
	DIMENSION	1	9 1/2	11 7/16	12	11 1/2	11 1/2	13 3/8	13 3/8	14 3/8	14 3/8	15 3/4	15 3/4	17 5/8
2		6 5/16	7 11/16	8 3/16	10 1/8	10 1/8	10 13/16	10 13/16	12 1/2	12 1/2	12 1/4	12 1/4	14	14
3		58 9/16	59 15/16	60 7/16	62 3/8	62 3/8	76 1/16	76 1/16	77 3/4	77 3/4	77 1/2	77 1/2	79 1/4	79 1/4
4		12 7/8	12 7/8	13 3/8	14 7/8	14 7/8	16 3/8	15 11/16	22 5/16	22 5/16	23 7/16	23 11/16	26 15/16	26 15/16
5		30	23	30 1/4	24 3/4	30 3/4	25	31 11/16	24 1/2	36 1/2	30 1/2	45 3/4	40 1/2	54 1/2
6		56	49	57 3/8	53 7/8	59 7/8	55 1/2	61 1/2	57 15/16	69 15/16	69 7/8	85 1/8	83 5/8	97 5/8
7		7 5/8	8 3/4	9 7/8	11 7/8	11 7/8	14 1/2	14 1/2	16 5/8	16 5/8	18 1/2	18 1/2	20	20
8		26 1/2	26 1/2	26 1/2	26 1/2	26 1/2	26 1/2	26 1/2	26 1/2	26 1/2	26 1/2	26 1/2	26 1/2	26 1/2
9		15 1/2	15 1/2	15 1/2	15 1/2	15 1/2	15 1/2	15 1/2	15 1/2	15 1/2	15 1/2	15 1/2	15 1/2	15 1/2
10		42 3/4	35 3/4	44 1/8	39 1/8	44 7/8	39 3/4	45 3/4	42	54 1/4	49 3/4	65	62 1/4	76 1/4
11		1	1 3/8	1 1/2	2 1/16	2 1/16	2 1/2	2 1/2	3 1/16	3 1/16	3 1/8	3 1/8	3 1/4	3 1/4
12		37	31	38	33	39	34	40	35	47	42	57	53	67
INLET PIPE SIZE		2 THR.	2 1/2 FLG.	2 1/2 FLG.	3 FLG.	3 FLG.	4 FLG.	4 FLG.	4 FLG.	4 FLG.	5 FLG.	5 FLG.	6 FLG.	6 FLG.
OUTLET PIPE SIZE		2 THR.	2 1/2 FLG.	2 1/2 FLG.	3 FLG.	3 FLG.	4 FLG.	4 FLG.	4 FLG.	4 FLG.	5 FLG.	5 FLG.	6 FLG.	6 FLG.

VALVE SIZE 'A'	ITEM	VALVE SIZE AND OVERALL LOCATION													
1/2"	'B'	12 1/8	12 1/8	12 1/8	12 1/8	12 1/8	12 1/8	12 1/8	12 1/8	12 1/8	12 1/8	12 1/8	12 1/8	12 1/8	
	'C'	15 9/16	16 1/16	16 5/16	17 5/16	17 5/16	19 13/16	19 13/16	21 5/16	21 5/16	23 5/16	23 5/16	25 5/16	25 5/16	
	'D'	74 3/8	75 3/4	76 1/4	78 3/16	78 3/16	91 7/8	91 7/8	93 9/16	93 9/16	93 5/16	93 5/16	95 1/16	95 1/16	
3/4"	'B'	12 9/16	12 9/16	12 9/16	12 9/16	12 9/16	12 9/16	12 9/16	12 9/16	12 9/16	12 9/16	12 9/16	12 9/16	12 9/16	
	'C'	16 9/16	17 1/16	17 5/16	18 5/16	18 5/16	20 13/16	20 13/16	22 5/16	22 5/16	24 5/16	24 5/16	26 5/16	26 5/16	
	'D'	74 3/8	75 3/4	76 1/4	78 3/16	78 3/16	91 7/8	91 7/8	93 9/16	93 9/16	93 5/16	93 5/16	95 1/16	95 1/16	
1"	'B'	13	13	13	13	13	13	13	13	13	13	13	13	13	
	'C'	16 9/16	17 1/16	17 5/16	18 5/16	18 5/16	20 13/16	20 13/16	22 5/16	22 5/16	24 5/16	24 5/16	26 5/16	26 5/16	
	'D'	74 3/8	75 3/4	76 1/4	78 3/16	78 3/16	91 7/8	91 7/8	93 9/16	93 9/16	93 5/16	93 5/16	95 1/16	95 1/16	
1 1/4"	'B'	13 3/4	13 3/4	13 3/4	13 3/4	13 3/4	13 3/4	13 3/4	13 3/4	13 3/4	13 3/4	13 3/4	13 3/4	13 3/4	
	'C'	16 9/16	17 1/16	17 5/16	18 5/16	18 5/16	20 13/16	20 13/16	22 5/16	22 5/16	24 5/16	24 5/16	26 5/16	26 5/16	
	'D'	74 3/8	75 3/4	76 1/4	78 3/16	78 3/16	91 7/8	91 7/8	93 9/16	93 9/16	93 5/16	93 5/16	95 1/16	95 1/16	
1 1/2"	'B'	13 9/16	13 9/16	13 9/16	13 9/16	13 9/16	13 9/16	13 9/16	13 9/16	13 9/16	13 9/16	13 9/16	13 9/16	13 9/16	
	'C'	16 9/16	17 1/16	17 5/16	18 5/16	18 5/16	20 13/16	20 13/16	22 5/16	22 5/16	24 5/16	24 5/16	26 5/16	26 5/16	
	'D'	75 1/8	76 1/2	77	78 15/16	78 15/16	92 5/8	92 5/8	94 5/16	94 5/16	94 1/16	94 1/16	95 13/16	95 13/16	
2"	'B'	14 5/16	14 5/16	14 5/16	14 5/16	14 5/16	14 5/16	14 5/16	14 5/16	14 5/16	14 5/16	14 5/16	14 5/16	14 5/16	
	'C'	17 15/16	18 7/16	18 11/16	19 11/16	19 11/16	22 3/16	22 3/16	23 11/16	23 11/16	25 11/16	25 11/16	27 11/16	27 11/16	
	'D'	76 13/16	78 3/16	78 11/16	80 5/8	80 5/8	94 5/16	94 5/16	96	96	95 3/4	95 3/4	97 1/2	97 1/2	
2 1/2"	'B'		21	21	21	21	21	21	21	21	21	21	21	21	
	'C'	N/A	15 3/4	16	17	17	19 1/2	19 1/2	21	21	23	23	25	25	
	'D'		78 15/16	79 7/16	81 3/8	81 3/8	95 1/16	95 1/16	96 3/4	96 3/4	96 1/2	96 1/2	98 1/4	98 1/4	
3"	'B'			23 13/16	23 13/16	23 13/16	23 13/16	23 13/16	23 13/16	23 13/16	23 13/16	23 13/16	23 13/16	23 13/16	
	'C'	N/A	N/A	17	18	18	20 1/2	20 1/2	22	22	24	24	26	26	
	'D'			81 5/16	83 1/4	83 1/4	96 15/16	96 15/16	98 5/8	98 5/8	98 3/8	98 3/8	100 1/8	100 1/8	
4"	'B'			26 3/16	26 3/16	26 3/16	26 3/16	26 3/16	26 3/16	26 3/16	26 3/16	26 3/16	26 3/16	26 3/16	
	'C'	N/A	N/A	N/A	21	21	23 1/2	23 1/2	25	25	27	27	29	29	
	'D'			85 1/4	85 1/4	98 15/16	98 15/16	100 5/8	100 5/8	100 3/8	100 3/8	102 1/8	102 1/8		
5"	'B'			27 1/4	27 1/4	27 1/4	27 1/4	27 1/4	27 1/4	27 1/4	27 1/4	27 1/4	27 1/4	27 1/4	
	'C'	N/A	N/A	N/A	N/A	N/A	26 1/4	26 1/4	27 3/4	27 3/4	29 3/4	29 3/4	31 3/4	31 3/4	
	'D'			98 15/16	98 15/16	100 5/8	100 5/8	100 3/8	100 3/8	100 3/8	100 3/8	102 1/8	102 1/8		

ISOMETRIC VIEW



NOTES:

1/ DIMENSIONS IN INCHES, AND SUBJECT TO CHANGE WITHOUT NOTICE.

2/ DIM 'B', 'C', 'D' ARE TO BE APPROXIMATED ONLY, CONSULT FACTORY FOR TIGHT DIMENSIONS.

ACE HEATERS, LLC

This document contains proprietary information from AHS, LLC. Do not reproduce or distribute without prior written consent of AHS, LLC.	ASME Section VIII Div 1: 2015 Ed.	A.I.:
	Design Pressure: 150 psig Test Pressure: 195 psig Max Design Temperature: 370°F	
SCALE: NA	Filename: SIHSW - COVER	SHEET 2 OF 2
Dwg By: JL	Orig Date: 12/23/15	Rev Date: _____
MINIPACK SYSTEM - HORIZONTAL - SW		Checked By: _____
WATER 3W - PNEUMATIC VALVE PACKAGE - SINGLE UNIT ON DUAL RACK		
Dwg #: SIHSWAA-1-DR-3W - DIM	SO:	REV 01