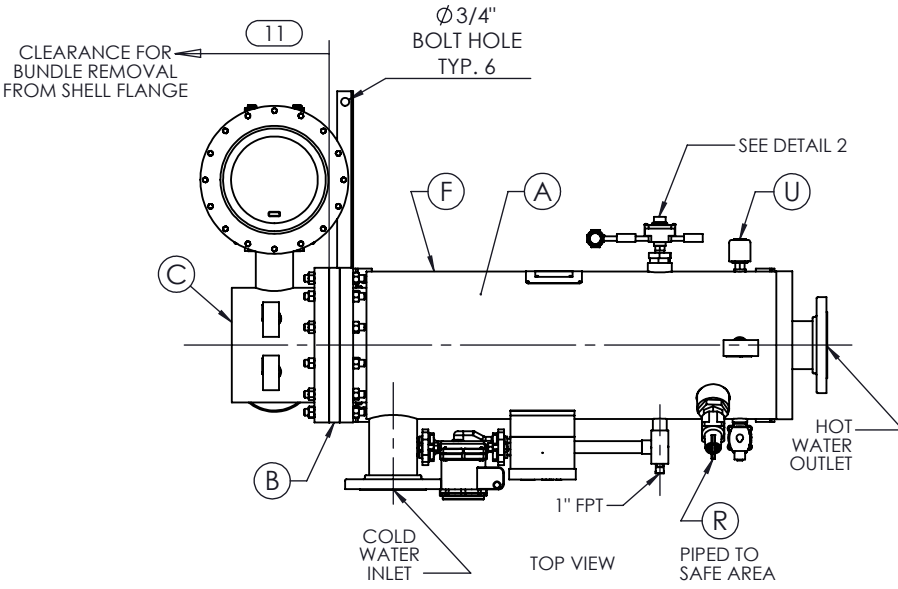
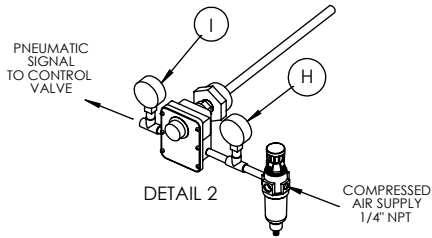
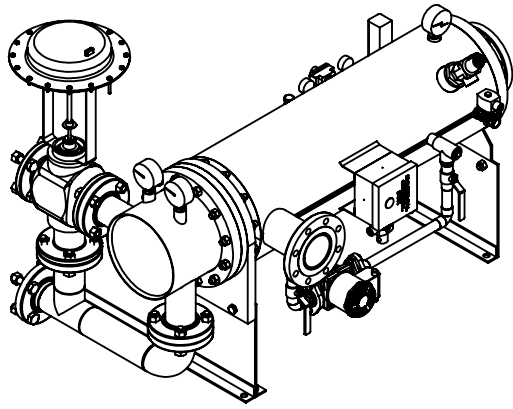


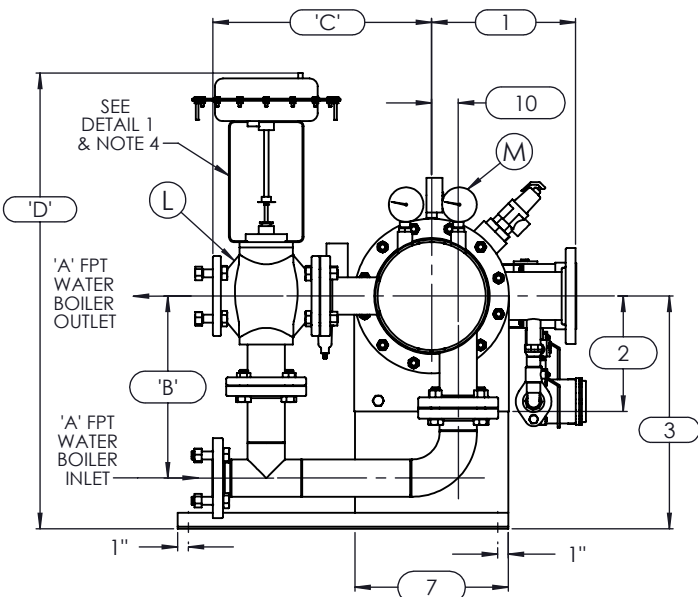
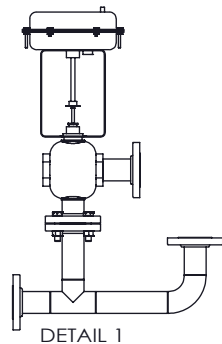
ISOMETRIC VIEW



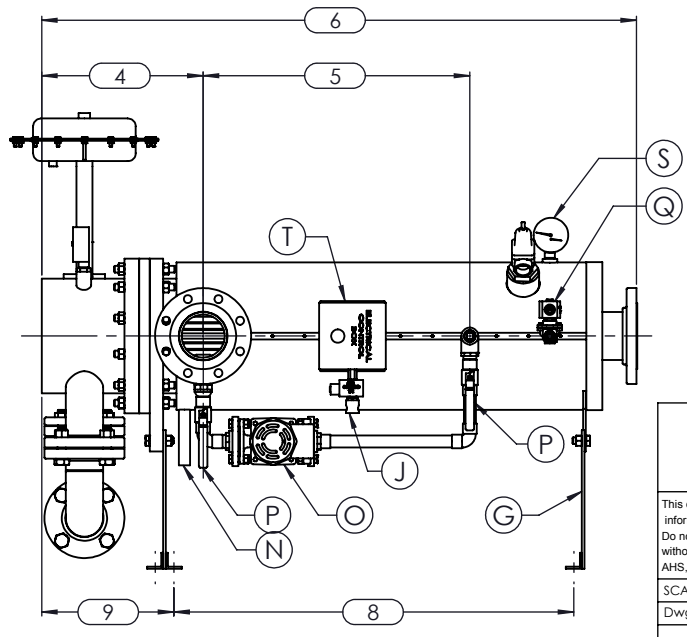
NOTES:

1. REFER TO PRODUCT SPECIFICATION FOR DESCRIPTION OF LETTERED ITEMS.
2. INSTALLATION:  
ALL COMPONENTS SHOWN HERE ARE PREWIRED & PREPIPED BY ACE HEATERS.  
CUSTOMER WILL ONLY NEED TO PLUMB WATER TO BE HEATED, PIPE STEAM AND CONDENSATE LINES, AND BRING ELECTRICITY TO UNIT.
3. DIMENSIONS ARE SUBJECT TO CHANGE.  
CONSULT FACTORY FOR TIGHT DIMENSIONS.
4. THIS CONFIGURATION CHANGES FOR VALVE SIZE 1/2" TO 2". SEE DETAIL 1 FOR REFERENCE.

APPROX. EMPTY WT:



LEFT VIEW



FRONT VIEW

	CERTIFIED BY	
	<b>Ace Heaters, LLC</b> www.aceheaters.com	
	MAXIMUM ALLOWABLE WORKING PRESSURE	
	SHELL	150 PSI @ 210 °F
	TUBES	150 PSI @ 370 °F
MIN. D.M.T. 0 °F @ 150 PSI		
S/N _____ YEAR BUILT _____		
MODEL _____		
CAPACITY _____ GAL SA. _____		
JOB NO. _____ XXX		

**ACE HEATERS, LLC**  
www.aceheaters.com

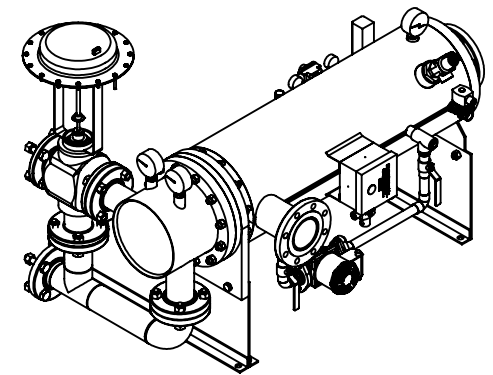
This document contains proprietary information from AHS, LLC. Do not reproduce or distribute without prior written consent of AHS, LLC.		ASME Section VIII Div 1: 2015 Ed. Design Pressure: 150 psig Test Pressure: 195 psig Max Design Temperature: 370°F	A.I:
SCALE: NA	Filename: SIHSW - COVER	SHEET 1 OF 2	
Dwg By: JL	Orig Date: 12/23/15	Rev Date:	Checked By:
<b>MINIPACK SYSTEM - HORIZONTAL - SW</b> Water 3W - Pneumatic Operated Valve Package			
Dwg #: SIHSWWA-3W [SO:			REV 01

SIHSWWA-3W, SW - WATER - PNEUMATIC 3-WAY MIXING VALVE PACKAGE SIZE AND LOCATION

MP SIZE	4	5	6	8	8L	10	10L	12	12L	14	14L	16	16L	
DIMENSION	1	9 1/2	11 1/2	12	11 9/16	11 9/16	13 7/16	13 7/16	14 7/16	14 7/16	15 3/4	15 3/4	17 5/8	17 5/8
	2	6 5/16	7 11/16	8 3/16	10 1/8	10 1/8	10 13/16	10 13/16	12 1/2	12 1/2	12 1/4	12 1/4	14	14
	3	13 1/2	14 7/8	15 3/8	18 5/16	18 5/16	22	22	26 7/8	26 7/8	26 5/8	26 5/8	28 3/8	28 3/8
	4	12 7/8	12 7/8	13 3/8	14 7/8	14 7/8	14 7/8	14 3/16	16 5/16	16 5/16	20 1/4	20 1/4	22 1/2	22 1/2
	5	30	23	30 1/4	24 3/4	30 3/4	25	31 11/16	24 1/2	36 1/2	30 1/2	45 3/4	40 1/2	54 1/2
	6	56	49	57 3/8	53 7/8	59 7/8	55 1/2	61 1/2	57 15/16	69 15/16	69 7/8	85 1/8	83 5/8	97 5/8
	7	7 1/2	8 5/8	9 3/4	11 3/4	11 3/4	14 3/8	14 3/8	16 1/2	16 1/2	18 1/2	18 1/2	20	20
	8	42 3/8	33 1/4	41 5/8	36 3/4	42 3/4	37 3/8	43 3/8	38 3/8	50 3/8	46 1/8	61 3/8	58 5/8	72 5/8
	9	10 5/8	10 3/4	10 3/4	11 5/8	11 5/8	12 1/8	12 1/8	12 15/16	12 15/16	16 5/8	16 5/8	17 7/8	17 7/8
	10	1	1 3/8	1 1/2	2 1/16	2 1/16	2 1/2	2 1/2	3 1/16	3 1/16	3 1/8	3 1/8	3 1/4	3 1/4
	11	3/	31	38	33	39	34	40	35	4/	42	5/	53	6/
INLET PIPE SIZE	2 IHR.	2 1/2	2 1/2	3 FLG.	3 FLG.	4 FLG.	4 FLG.	4 FLG.	4 FLG.	5 FLG.	5 FLG.	6 FLG.	6 FLG.	
OUTLET PIPE SIZE	2 IHR.	2 1/2	2 1/2	3 FLG.	3 FLG.	4 FLG.	4 FLG.	4 FLG.	4 FLG.	5 FLG.	5 FLG.	6 FLG.	6 FLG.	

VALVE SIZE 'A'	ITEM	VALVE SIZE AND OVERALL LOCATION												
1/2"	'B'	11 1/2	12 7/8	13 3/8	16 1/3	16 1/3	20	20	24 7/8	24 7/8	24 5/8	24 5/8	26 3/8	26 3/8
	'C'	15 9/16	16 1/16	16 5/16	17 5/16	17 5/16	19 13/16	19 13/16	21 5/16	21 5/16	23 5/16	23 5/16	25 5/16	25 5/16
	'D'	29 5/16	30 11/16	31 3/16	34 1/8	34 1/8	37 13/16	37 13/16	42 11/16	42 11/16	42 7/16	42 7/16	44 3/16	44 3/16
3/4"	'B'	11 1/4	12 5/8	13 1/8	16	16	19 3/4	19 3/4	24 5/8	24 5/8	24 3/8	24 3/8	26 1/8	26 1/8
	'C'	16 9/16	17 1/16	17 5/16	18 5/16	18 5/16	20 13/16	20 13/16	22 5/16	22 5/16	24 5/16	24 5/16	26 5/16	26 5/16
	'D'	29 5/16	30 11/16	31 3/16	34 1/8	34 1/8	37 13/16	37 13/16	42 11/16	42 11/16	42 7/16	42 7/16	44 3/16	44 3/16
1"	'B'	11 1/4	12 5/8	13 1/8	16 1/16	16 1/16	19 3/4	19 3/4	24 5/8	24 5/8	24 3/8	24 3/8	26 1/8	26 1/8
	'C'	16 9/16	17 1/16	17 5/16	18 5/16	18 5/16	20 13/16	20 13/16	22 5/16	22 5/16	24 5/16	24 5/16	26 5/16	26 5/16
	'D'	29 5/16	30 11/16	31 3/16	34 1/8	34 1/8	37 13/16	37 13/16	42 11/16	42 11/16	42 7/16	42 7/16	44 3/16	44 3/16
1 1/4"	'B'	11	12 3/8	12 7/8	15 4/5	15 4/5	19 1/2	19 1/2	24 3/8	24 3/8	24 1/8	24 1/8	25 7/8	25 7/8
	'C'	16 9/16	17 1/16	17 5/16	18 5/16	18 5/16	20 13/16	20 13/16	22 5/16	22 5/16	24 5/16	24 5/16	26 5/16	26 5/16
	'D'	29 5/16	30 11/16	31 3/16	34 1/8	34 1/8	37 13/16	37 13/16	42 11/16	42 11/16	42 7/16	42 7/16	44 3/16	44 3/16
1 1/2"	'B'	10 1/2	11 7/8	12 3/8	15 5/16	15 5/16	19	19	23 7/8	23 7/8	23 5/8	23 5/8	25 3/8	25 3/8
	'C'	16 9/16	17 1/16	17 5/16	18 5/16	18 5/16	20 13/16	20 13/16	22 5/16	22 5/16	24 5/16	24 5/16	26 5/16	26 5/16
	'D'	30 1/16	31 7/16	31 15/16	34 7/8	34 7/8	38 9/16	38 9/16	43 7/16	43 7/16	43 3/16	43 3/16	44 15/16	44 15/16
2"	'B'	9 1/2	10 7/8	11 3/8	14 5/16	14 5/16	18	18	22 7/8	22 7/8	22 5/8	22 5/8	24 3/8	24 3/8
	'C'	17 15/16	18 7/16	18 11/16	19 11/16	19 11/16	22 3/16	22 3/16	23 11/16	23 11/16	25 11/16	25 11/16	27 11/16	27 11/16
	'D'	31 3/4	33 1/8	33 5/8	36 9/16	36 9/16	40 1/4	40 1/4	45 1/8	45 1/8	44 7/8	44 7/8	46 5/8	46 5/8
2 1/2"	'B'	N/A	10 7/8	11 3/8	14 5/16	14 5/16	18	18	22 7/8	22 7/8	22 5/8	22 5/8	24 3/8	24 3/8
	'C'	N/A	15 3/4	16	17	17	19 1/2	19 1/2	21	21	23	23	25	25
	'D'	N/A	33 7/8	34 3/8	37 5/16	37 5/16	41	41	45 7/8	45 7/8	45 5/8	45 5/8	47 3/8	47 3/8
3"	'B'	N/A	N/A	11 1/8	14 1/16	14 1/16	17 3/4	17 3/4	22 5/8	22 5/8	22 3/8	22 3/8	24 1/8	24 1/8
	'C'	N/A	N/A	17	18	18	20 1/2	20 1/2	22	22	24	24	26	26
	'D'	N/A	N/A	36 1/4	39 3/16	39 3/16	42 7/8	42 7/8	47 3/4	47 3/4	47 1/2	47 1/2	49 1/4	49 1/4
4"	'B'	N/A	N/A	N/A	13 5/16	13 5/16	17	17	21 7/8	21 7/8	21 5/8	21 5/8	23 3/8	23 3/8
	'C'	N/A	N/A	N/A	21	21	23 1/2	23 1/2	25	25	27	27	29	29
	'D'	N/A	N/A	N/A	41 3/16	41 3/16	44 7/8	44 7/8	49 3/4	49 3/4	49 1/2	49 1/2	51 1/4	51 1/4
5"	'B'	N/A	N/A	N/A	N/A	N/A	16	16	20 7/8	20 7/8	20 5/8	20 5/8	22 3/8	22 3/8
	'C'	N/A	N/A	N/A	N/A	N/A	26 1/4	26 1/4	27 3/4	27 3/4	29 3/4	29 3/4	31 3/4	31 3/4
	'D'	N/A	N/A	N/A	N/A	N/A	44 7/8	44 7/8	49 3/4	49 3/4	49 1/2	49 1/2	51 1/4	51 1/4

ISOMETRIC VIEW



NOTES:

- 1/ DIMENSIONS IN INCHES, AND SUBJECT TO CHANGE WITHOUT NOTICE.
- 2/ DIM 'B', 'C', 'D' ARE TO BE APPROXIMATED ONLY, CONSULT FACTORY FOR TIGHT DIMENSIONS.

ACE HEATERS, LLC

www.aceheaters.com

This document contains proprietary information from AHS, LLC. Do not reproduce or distribute without prior written consent of AHS, LLC.	ASME Section VIII Div 1: 2015 Ed.	A.I:
	Design Pressure: 150 psig Test Pressure: 195 psig Max Design Temperature: 370°F	

SCALE: NA	Filename: SIHSW - COVER	SHEET 2 OF 2
Dwg By: JL	Orig Date: 12/23/15	Rev Date: _____ Checked By: _____

MINIPACK SYSTEM - HORIZONTAL - SW  
Water 3W - Pneumatic Operated Valve Package

Dwg #: SIHSWWA-3W - DIM	SO: _____	REV 01
-------------------------	-----------	--------