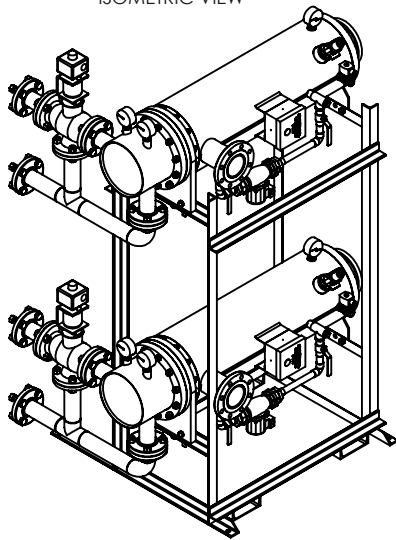
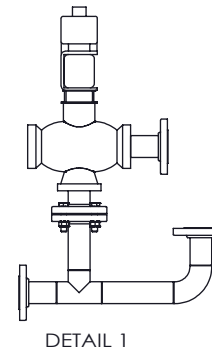
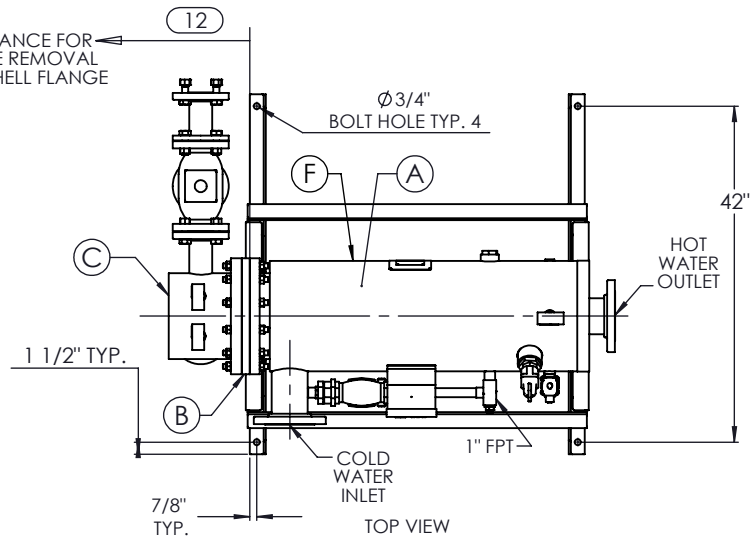


ISOMETRIC VIEW



CLEARANCE FOR BUNDLE REMOVAL FROM SHELL FLANGE

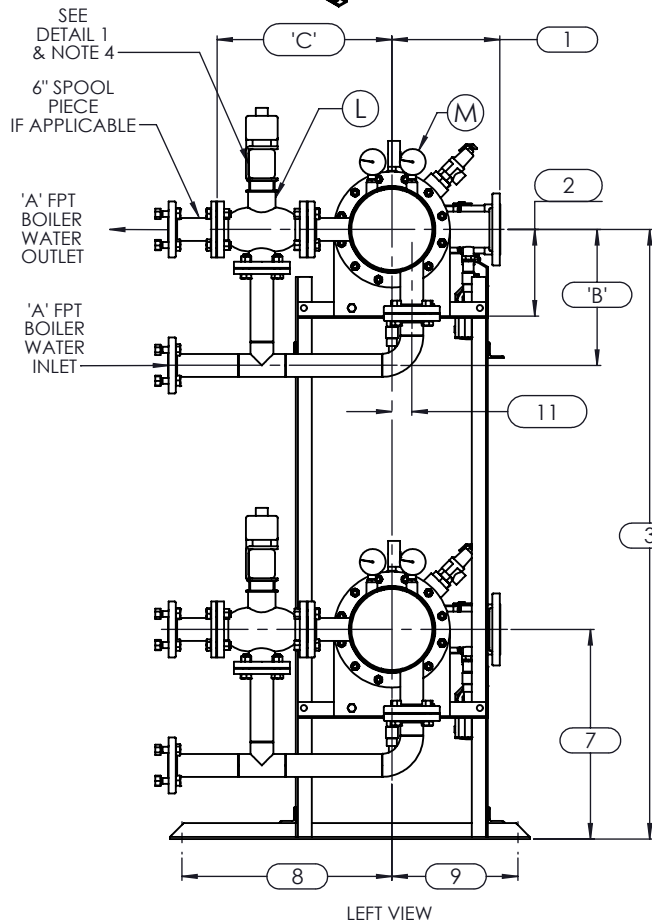


DETAIL 1

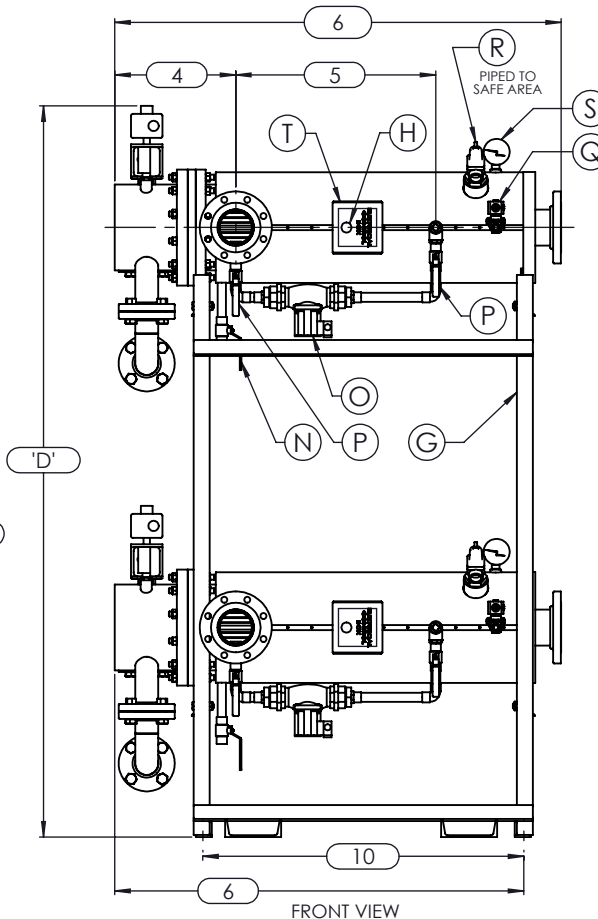
NOTES:

1. REFER TO PRODUCT SPECIFICATION FOR DESCRIPTION OF LETTERED ITEMS.
2. INSTALLATION: ALL COMPONENTS SHOWN HERE ARE PREWIRED & PREPIPED BY ACE HEATERS. CUSTOMER WILL ONLY NEED TO PLUMB WATER TO BE HEATED, PIPE STEAM AND CONDENSATE LINES, AND BRING ELECTRICITY TO UNIT.
3. DIMENSIONS ARE SUBJECT TO CHANGE. CONSULT FACTORY FOR TIGHT DIMENSIONS.
4. THIS CONFIGURATION CHANGES FOR VALVE SIZE 1/2" TO 2". SEE DETAIL 1 FOR REFERENCE.

APPROX. EMPTY WT:



LEFT VIEW



FRONT VIEW

	CERTIFIED BY <i>Ace Heaters, LLC</i> www.aceheaters.com
	MAXIMUM ALLOWABLE WORKING PRESSURE
	SHELL 150 PSI @ 210 °F
	TUBES 150 PSI @ 370 °F
	MIN. D.M.T. 0 °F @ 150 PSI
S/N _____ YEAR BUILT _____	
MODEL _____	
CAPACITY _____ GAL SA. _____	
JOB NO. _____ XXX	

ACE HEATERS, LLC

www.aceheaters.com

This document contains proprietary information from AHS, LLC. Do not reproduce or distribute without prior written consent of AHS, LLC.	ASME Section VIII Div 1: 2015 Ed. Design Pressure: 150 psig Test Pressure: 195 psig Max Design Temperature: 370°F	A.I.:
---	--	-------

SCALE: NA	Filename: SIHSW - COVER	SHEET 1 OF 2
Dwg By: JL	Orig Date: 12/22/15	Rev Date: _____
	Checked By: _____	

MINIPACK SYSTEM - HORIZONTAL - SW
WATER 3W - SIEMENS ELECTRIC. VALVE PACKAGE
DUAL UNIT ON DUAL RACK

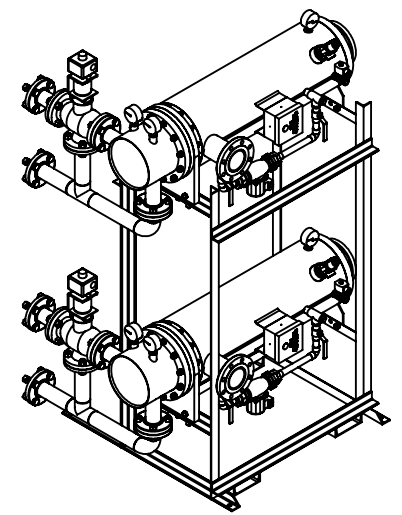
Dwg #: SIHSWWE-2-DR-3W-SIE	SO: _____	REV 01
----------------------------	-----------	--------

SIHSW W E-2-DR-3W -SIE, SW - W ATER - SIEMENS ELECTRIC 3-W AY MIXING VALVE PACKAGE SIZE AND LOCATION: DUAL UNIT ON RACK

MP SIZE	4	5	6	8	8L	10	10L	12	12L	14	14L	16	16L	
ITEMS	1	9 1/2	11 1/2	12	11 9/16	11 9/16	13 7/16	13 7/16	14 7/16	14 7/16	15 3/4	15 3/4	17 5/8	17 5/8
	2	6 5/16	7 11/16	8 3/16	10 1/8	10 1/8	10 13/16	10 13/16	12 1/2	12 1/2	12 1/4	12 1/4	14	14
	3	58 9/16	59 15/16	60 7/16	62 3/8	62 3/8	76 1/16	76 1/16	77 3/4	77 3/4	77 1/2	77 1/2	79 1/4	79 1/4
	4	12 7/8	12 7/8	13 3/8	14 7/8	14 7/8	14 7/8	14 3/16	16 5/16	16 5/16	20 1/4	20 1/4	22 1/2	22 1/2
	5	30	23	30 1/4	24 3/4	30 3/4	25	31 11/16	24 1/2	36 1/2	30 1/2	45 3/4	40 1/2	54 1/2
	6	56	49	57 3/8	53 7/8	59 7/8	55 1/2	61 1/2	57 15/16	69 15/16	69 7/8	85 1/8	83 5/8	97 5/8
	7	21 9/16	22 15/16	23 7/16	25 3/8	25 3/8	26 3/16	26 3/16	27 7/8	27 7/8	27 5/8	27 5/8	29 3/8	29 3/8
	8	26 1/2	26 1/2	26 1/2	26 1/2	26 1/2	26 1/2	26 1/2	26 1/2	26 1/2	26 1/2	26 1/2	26 1/2	26 1/2
	9	15 1/2	15 1/2	15 1/2	15 1/2	15 1/2	15 1/2	15 1/2	15 1/2	15 1/2	15 1/2	15 1/2	15 1/2	15 1/2
	10	42 3/4	35 3/4	44 1/8	39 1/8	44 7/8	39 3/4	45 3/4	42	54 1/4	49 3/4	65	62 1/4	76 1/4
	11	1	1 3/8	1 1/2	2 1/16	2 1/16	2 1/2	2 1/2	3 1/16	3 1/16	3 1/8	3 1/8	3 1/4	3 1/4
	12	37	31	38	33	39	34	40	35	47	42	57	53	67
INLET PIPE SIZE	2 THR.	2 1/2	2 1/2	3 FLG.	3 FLG.	4 FLG.	4 FLG.	4 FLG.	4 FLG.	5 FLG.	5 FLG.	6 FLG.	6 FLG.	
OUTLET PIPE SIZE	2 THR.	2 1/2	2 1/2	3 FLG.	3 FLG.	4 FLG.	4 FLG.	4 FLG.	4 FLG.	5 FLG.	5 FLG.	6 FLG.	6 FLG.	

VALVE SIZE 'A'	ITEM	VALVE SIZE AND OVERALL LOCATION												
1/2"	'B'	56 4/7	58	58 4/9	60 3/8	60 3/8	74	74	75 3/4	75 3/4	75 1/2	75 1/2	77 1/4	77 1/4
	'C'	11 9/16	12 1/16	12 5/16	13 5/16	13 5/16	15 13/16	15 13/16	17 5/16	17 5/16	19 5/16	19 5/16	21 5/16	21 5/16
	'D'	68	69 3/8	69 7/8	71 13/16	71 13/16	85 1/2	85 1/2	87 3/16	87 3/16	86 15/16	86 15/16	88 11/16	88 11/16
3/4"	'B'	56 1/3	57 2/3	58 1/5	60 1/8	60 1/8	73 4/5	73 4/5	75 1/2	75 1/2	75 1/4	75 1/4	77	77
	'C'	12 3/16	12 11/16	12 15/16	13 15/16	13 15/16	16 7/16	16 7/16	17 15/16	17 15/16	19 15/16	19 15/16	21 15/16	21 15/16
	'D'	68 13/16	70 3/16	70 11/16	72 5/8	72 5/8	86 5/16	86 5/16	88	88	87 3/4	87 3/4	89 1/2	89 1/2
1"	'B'	56 5/16	57 11/16	58 3/16	60 1/8	60 1/8	73 13/16	73 13/16	75 1/2	75 1/2	75 1/4	75 1/4	77	77
	'C'	12 3/4	13 1/4	13 1/2	14 1/2	14 1/2	17	17	18 1/2	18 1/2	20 1/2	20 1/2	22 1/2	22 1/2
	'D'	69 3/16	70 9/16	71 1/16	73	73	86 11/16	86 11/16	88 3/8	88 3/8	88 1/8	88 1/8	89 7/8	89 7/8
1 1/4"	'B'	56	57 4/9	58	59 7/8	59 7/8	73 4/7	73 4/7	75 1/4	75 1/4	75	75	76 3/4	76 3/4
	'C'	13 3/8	13 7/8	14 1/8	15 1/8	15 1/8	17 5/8	17 5/8	19 1/8	19 1/8	21 1/8	21 1/8	23 1/8	23 1/8
	'D'	69 13/16	71 3/16	71 11/16	73 5/8	73 5/8	87 5/16	87 5/16	89	89	88 3/4	88 3/4	90 1/2	90 1/2
1 1/2"	'B'	55 9/16	56 15/16	57 7/16	59 3/8	59 3/8	73 1/16	73 1/16	74 3/4	74 3/4	74 1/2	74 1/2	76 1/4	76 1/4
	'C'	13 15/16	14 7/16	14 11/16	15 11/16	15 11/16	18 3/16	18 3/16	19 11/16	19 11/16	21 11/16	21 11/16	23 11/16	23 11/16
	'D'	71 3/16	72 9/16	73 1/16	75	75	88 11/16	88 11/16	90 3/8	90 3/8	90 1/8	90 1/8	91 7/8	91 7/8
2"	'B'	54 9/16	55 15/16	56 7/16	58 3/8	58 3/8	72 1/16	72 1/16	73 3/4	73 3/4	73 1/2	73 1/2	75 1/4	75 1/4
	'C'	15 1/8	15 5/8	15 7/8	16 7/8	16 7/8	19 3/8	19 3/8	20 7/8	20 7/8	22 7/8	22 7/8	24 7/8	24 7/8
	'D'	71 15/16	73 5/16	73 13/16	75 3/4	75 3/4	89 7/16	89 7/16	91 1/8	91 1/8	90 7/8	90 7/8	92 5/8	92 5/8
2 1/2"	'B'	N/A	55 15/16	56 7/16	58 3/8	58 3/8	72 1/16	72 1/16	73 3/4	73 3/4	73 1/2	73 1/2	75 1/4	75 1/4
	'C'	N/A	18 3/16	18 7/16	19 7/16	19 7/16	21 15/16	21 15/16	23 7/16	23 7/16	25 7/16	25 7/16	27 7/16	27 7/16
	'D'	N/A	75 1/8	75 5/8	77 9/16	77 9/16	91 1/4	91 1/4	92 15/16	92 15/16	92 11/16	92 11/16	94 7/16	94 7/16
3"	'B'	N/A	N/A	56 3/16	58 1/8	58 1/8	71 13/16	71 13/16	73 1/2	73 1/2	73 1/4	73 1/4	75	75
	'C'	N/A	N/A	19 1/4	20 1/4	20 1/4	22 3/4	22 3/4	24 1/4	24 1/4	26 1/4	26 1/4	28 1/4	28 1/4
	'D'	N/A	N/A	80 11/16	82 5/8	82 5/8	96 5/16	96 5/16	98	98	97 3/4	97 3/4	99 1/2	99 1/2
4"	'B'	N/A	N/A	N/A	57 3/8	57 3/8	71 1/16	71 1/16	72 3/4	72 3/4	72 1/2	72 1/2	74 1/4	74 1/4
	'C'	N/A	N/A	N/A	21 3/4	21 3/4	24 1/4	24 1/4	25 3/4	25 3/4	27 3/4	27 3/4	29 3/4	29 3/4
	'D'	N/A	N/A	N/A	85 3/16	85 3/16	98 7/8	98 7/8	100 9/16	100 9/16	100 5/16	100 5/16	102 1/16	102 1/16
5"	'B'	N/A	N/A	N/A	N/A	N/A	70	70	71 3/4	71 3/4	71 1/2	71 1/2	73 1/4	73 1/4
	'C'	N/A	N/A	N/A	N/A	N/A	24 1/2	24 1/2	26	26	28	28	30	30
	'D'	N/A	N/A	N/A	N/A	N/A	98 7/8	98 7/8	100 9/16	100 9/16	100 5/16	100 5/16	102 1/16	102 1/16

ISOMETRIC VIEW



NOTES:
 1/ DIMENSIONS IN INCHES, AND SUBJECT TO CHANGE WITHOUT NOTICE.
 2/ DIM 'B', 'C', 'D' ARE TO BE APPROXIMATED ONLY, CONSULT FACTORY FOR TIGHT DIMENSIONS.

ACE HEATERS, LLC

This document contains proprietary information from AHS, LLC. Do not reproduce or distribute without prior written consent of AHS, LLC.		ASME Section VIII Div 1: 2015 Ed. Design Pressure: 150 psig Test Pressure: 195 psig Max Design Temperature: 370°F	A.I:
SCALE: NA	Filename: SIHSW - COVER	SHEET 2 OF 2	
Dwg By: J.L.	Orig Date: 12/22/2015	Rev Date:	Checked By:
MINIPACK SYSTEM - HORIZONTAL - SW WATER 3W - SIEMENS ELECTRIC - VALVE PACKAGE DUAL UNIT ON DUAL RACK			
Dwg #: SIHSWWE-2-DR-3W-SIE - DIM			REV 01