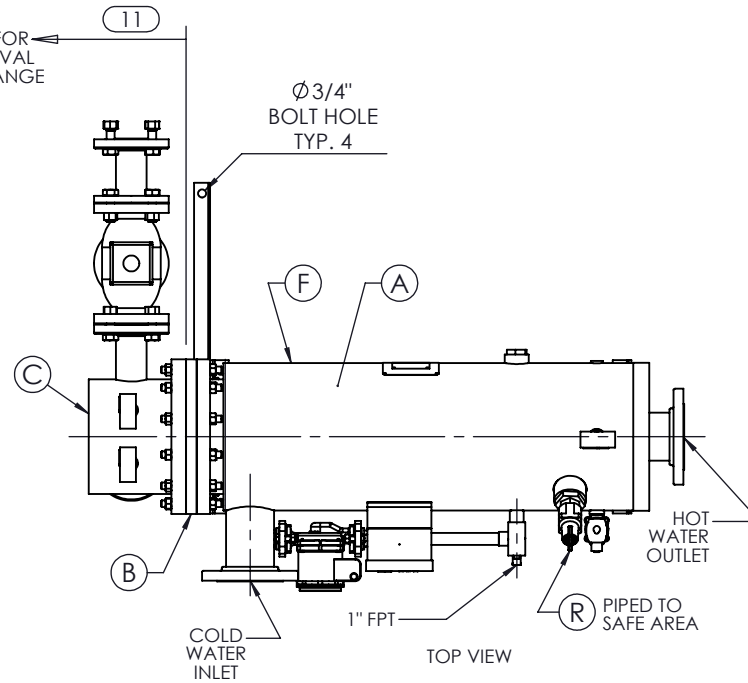


ISOMETRIC VIEW

CLEARANCE FOR
BUNDLE REMOVAL
FROM SHELL FLANGE

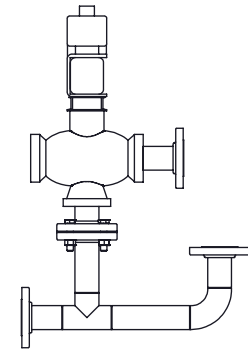


TOP VIEW

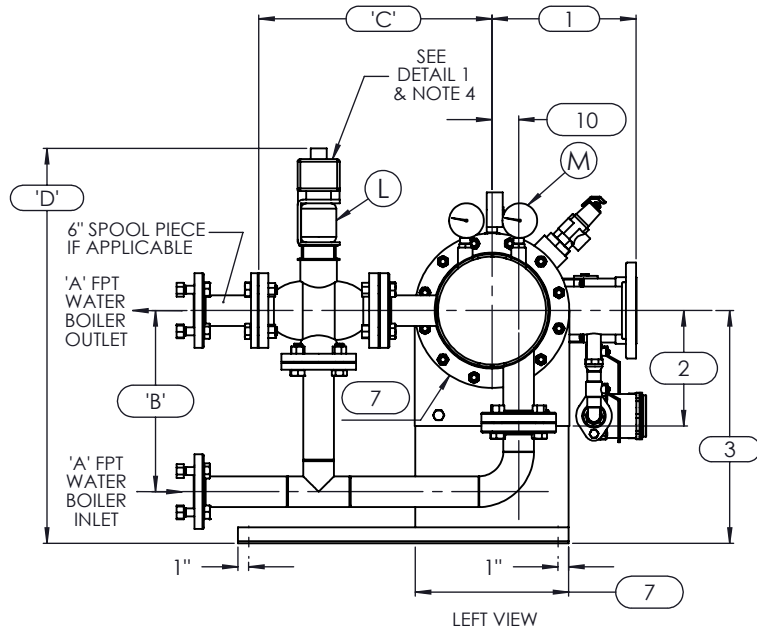
NOTES:

1. REFER TO PRODUCT SPECIFICATION FOR DESCRIPTION OF LETTERED ITEMS.
2. INSTALLATION:
ALL COMPONENTS SHOWN HERE ARE PREWIRED & PREPIPED BY ACE HEATERS.
CUSTOMER WILL ONLY NEED TO PLUMB WATER TO BE HEATED, PIPE STEAM AND CONDENSATE LINES, AND BRING ELECTRICITY TO UNIT.
3. DIMENSIONS ARE SUBJECT TO CHANGE.
CONSULT FACTORY FOR TIGHT DIMENSIONS.
4. THIS CONFIGURATION CHANGES FOR VALVE SIZE 1/2" TO 2". SEE DETAIL 1 FOR REFERENCE.

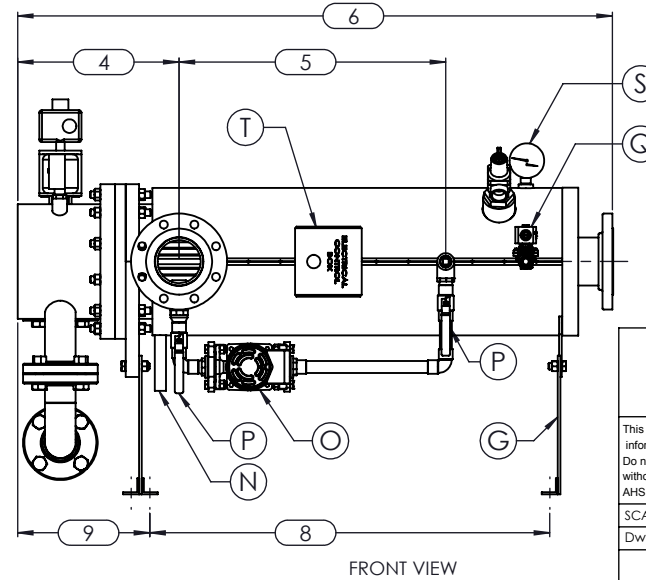
APPROX. EMPTY WT:



DETAIL 1



LEFT VIEW



FRONT VIEW

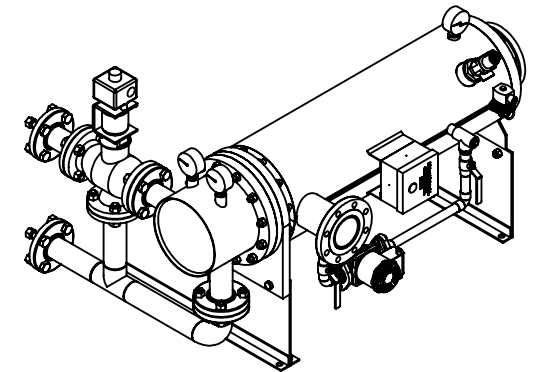
	CERTIFIED BY Ace Heaters, LLC www.aceheaters.com	
	MAXIMUM ALLOWABLE WORKING PRESSURE SHELL 150 PSI @ 210 °F TUBES 150 PSI @ 370 °F MIN. D.M.T. 0 °F @ 150 PSI S/N _____ YEAR BUILT _____	
	MODEL _____ CAPACITY _____ GAL SA. _____ JOB NO. _____ XXX	

ACE HEATERS, LLC
www.aceheaters.com

This document contains proprietary information from AHS, LLC. Do not reproduce or distribute without prior written consent of AHS, LLC.		ASME Section VIII Div 1: 2015 Ed. Design Pressure: 150 psig Test Pressure: 195 psig Max Design Temperature: 370°F		A.I.: _____	
SCALE: NA	Filename: SIHSW - COVER	SHEET 1 OF 2			
Dwg By: JL	Orig Date: 12/22/15	Rev Date:	Checked By:		
MINIPACK SYSTEM - HORIZONTAL - SW Water 3W - Siemens Elect. Operated Valve Package					
Dwg #: SIHSWWE-3W-SIE		So:		REV 01	

SIHSWWE-3W-SIE, SW - WATER - SIEMENS ELECTRIC 3-WAY MIXING VALVE PACKAGE SIZE AND LOCATION

MP SIZE		4	5	6	8	8L	10	10L	12	12L	14	14L	16	16L	
DIMENSION	ITEMS	1	11 1/2	12	11 9/16	11 9/16	13 7/16	13 7/16	14 7/16	14 7/16	15 3/4	15 3/4	17 5/8	17 5/8	
	2	6 5/16	7 11/16	8 3/16	10 1/8	10 1/8	10 13/16	10 13/16	12 1/2	12 1/2	12 1/4	12 1/4	14	14	
	3	13 1/2	14 7/8	15 3/8	18 5/16	18 5/16	22	22	26 7/8	26 7/8	26 5/8	26 5/8	28 3/8	28 3/8	
	4	12 7/8	12 7/8	13 3/8	14 7/8	14 7/8	14 7/8	14 3/16	16 5/16	16 5/16	20 1/4	20 1/4	22 1/2	22 1/2	
	5	30	23	30 1/4	24 3/4	30 3/4	25	31 11/16	24 1/2	36 1/2	30 1/2	45 3/4	40 1/2	54 1/2	
	6	56	49	57 3/8	53 7/8	59 7/8	55 1/2	61 1/2	57 15/16	69 15/16	69 7/8	85 1/8	83 5/8	97 5/8	
	7	7 1/2	8 5/8	9 3/4	11 3/4	11 3/4	14 3/8	14 3/8	16 1/2	16 1/2	18 1/2	18 1/2	20	20	
	8	40 3/8	33 1/4	41 5/8	36 3/4	42 3/4	37 3/8	43 3/8	38 3/8	50 3/8	46 1/8	61 3/8	58 5/8	72 5/8	
	9	10 5/8	10 3/4	10 3/4	11 5/8	11 5/8	12 1/8	12 1/8	12 15/16	12 15/16	16 5/8	16 5/8	17 7/8	17 7/8	
	10	1	3 1/8	1 1/2	2 1/16	2 1/16	2 1/2	2 1/2	3 1/16	3 1/16	3 1/8	3 1/8	3 1/4	3 1/4	
	11	37	31	38	33	39	34	40	35	47	42	57	53	67	
INLET PIPE SIZE		2 THR.	2 1/2	2 1/2	3 FLG.	3 FLG.	4 FLG.	4 FLG.	4 FLG.	4 FLG.	5 FLG.	5 FLG.	6 FLG.	6 FLG.	
OUTLET PIPE SIZE		2 THR.	2 1/2	2 1/2	3 FLG.	3 FLG.	4 FLG.	4 FLG.	4 FLG.	4 FLG.	5 FLG.	5 FLG.	6 FLG.	6 FLG.	
VALVE SIZE 'A'	ITEM	VALVE SIZE AND OVERALL LOCATION													
1/2"	'B'	11 1/2	12 7/8	13 3/8	16 1/3	16 1/3	20	20	24 7/8	24 7/8	24 5/8	24 5/8	26 3/8	26 3/8	
	'C'	11 9/16	12 1/16	12 5/16	13 5/16	13 5/16	15 13/16	15 13/16	17 5/16	17 5/16	19 5/16	19 5/16	21 5/16	21 5/16	
	'D'	22 15/16	24 5/16	24 13/16	27 3/4	27 3/4	31 7/16	31 7/16	36 5/16	36 5/16	36 1/16	36 1/16	37 13/16	37 13/16	
3/4"	'B'	11 1/4	12 5/8	13 1/8	16	16	19 3/4	19 3/4	24 5/8	24 5/8	24 3/8	24 3/8	26 1/8	26 1/8	
	'C'	12 3/16	12 11/16	12 15/16	13 15/16	13 15/16	16 7/16	16 7/16	17 15/16	17 15/16	19 15/16	19 15/16	21 15/16	21 15/16	
	'D'	23 3/4	25 1/8	25 5/8	28 9/16	28 9/16	32 1/4	32 1/4	37 1/8	37 1/8	36 7/8	36 7/8	38 5/8	38 5/8	
1"	'B'	11 1/4	12 5/8	13 1/8	16 1/16	16 1/16	19 3/4	19 3/4	24 5/8	24 5/8	24 3/8	24 3/8	26 1/8	26 1/8	
	'C'	12 3/4	13 1/4	13 1/2	14 1/2	14 1/2	17	17	18 1/2	18 1/2	20 1/2	20 1/2	22 1/2	22 1/2	
	'D'	24 1/8	25 1/2	26	28 15/16	28 15/16	32 5/8	32 5/8	37 1/2	37 1/2	37 1/4	37 1/4	39	39	
1 1/4"	'B'	11	12 3/8	12 7/8	15 4/5	15 4/5	19 1/2	19 1/2	24 3/8	24 3/8	24 1/8	24 1/8	25 7/8	25 7/8	
	'C'	13 3/8	13 7/8	14 1/8	15 1/8	15 1/8	17 5/8	17 5/8	19 1/8	19 1/8	21 1/8	21 1/8	23 1/8	23 1/8	
	'D'	24 3/4	26 1/8	26 5/8	29 9/16	29 9/16	33 1/4	33 1/4	38 1/8	38 1/8	37 7/8	37 7/8	39 5/8	39 5/8	
1 1/2"	'B'	10 1/2	11 7/8	12 3/8	15 5/16	15 5/16	19	19	23 7/8	23 7/8	23 5/8	23 5/8	25 3/8	25 3/8	
	'C'	13 15/16	14 7/16	14 11/16	15 11/16	15 11/16	18 3/16	18 3/16	19 11/16	19 11/16	21 11/16	21 11/16	23 11/16	23 11/16	
	'D'	26 1/8	27 1/2	28	30 15/16	30 15/16	34 5/8	34 5/8	39 1/2	39 1/2	39 1/4	39 1/4	41	41	
2"	'B'	9 1/2	10 7/8	11 3/8	14 5/16	14 5/16	18	18	22 7/8	22 7/8	22 5/8	22 5/8	24 3/8	24 3/8	
	'C'	15 1/8	15 5/8	15 7/8	16 7/8	16 7/8	19 3/8	19 3/8	20 7/8	20 7/8	22 7/8	22 7/8	24 7/8	24 7/8	
	'D'	26 7/8	28 1/4	28 3/4	31 11/16	31 11/16	35 3/8	35 3/8	40 1/4	40 1/4	40	40	41 3/4	41 3/4	
2 1/2"	'B'	10 7/8	11 3/8	14 5/16	14 5/16	18	18	22 7/8	22 7/8	22 5/8	22 5/8	24 3/8	24 3/8		
	'C'	N/A	18 3/16	18 7/16	19 7/16	19 7/16	21 15/16	21 15/16	23 7/16	23 7/16	25 7/16	25 7/16	27 7/16	27 7/16	
	'D'	30 1/16	30 9/16	33 1/2	33 1/2	37 3/16	37 3/16	42 1/16	42 1/16	41 13/16	41 13/16	43 9/16	43 9/16		
3"	'B'	N/A	N/A	11 1/8	14 1/16	14 1/16	17 3/4	17 3/4	22 5/8	22 5/8	22 3/8	22 3/8	24 1/8	24 1/8	
	'C'	N/A	N/A	19 1/4	20 1/4	20 1/4	22 3/4	22 3/4	24 1/4	24 1/4	26 1/4	26 1/4	28 1/4	28 1/4	
	'D'	N/A	N/A	35 5/8	38 9/16	38 9/16	42 1/4	42 1/4	47 1/8	47 1/8	46 7/8	46 7/8	48 5/8	48 5/8	
4"	'B'	N/A	N/A	N/A	13 5/16	13 5/16	17	17	21 7/8	21 7/8	21 5/8	21 5/8	23 3/8	23 3/8	
	'C'	N/A	N/A	N/A	21 3/4	21 3/4	24 1/4	24 1/4	25 3/4	25 3/4	27 3/4	27 3/4	29 3/4	29 3/4	
	'D'	N/A	N/A	N/A	41 1/8	41 1/8	44 13/16	44 13/16	49 11/16	49 11/16	49 7/16	49 7/16	51 3/16	51 3/16	
5"	'B'	N/A	N/A	N/A	N/A	N/A	16	16	20 7/8	20 7/8	20 5/8	20 5/8	22 3/8	22 3/8	
	'C'	N/A	N/A	N/A	N/A	N/A	24 1/2	24 1/2	26	26	28	28	30	30	
	'D'	N/A	N/A	N/A	N/A	N/A	44 13/16	44 13/16	49 11/16	49 11/16	49 7/16	49 7/16	51 3/16	51 3/16	



ISOMETRIC VIEW

NOTES:

- 1/ DIMENSIONS IN INCHES, AND SUBJECT TO CHANGE WITHOUT NOTICE.
- 2/ DIM 'B', 'C', 'D' ARE TO BE APPROXIMATED ONLY, CONSULT FACTORY FOR TIGHT DIMENSIONS.

ACE HEATERS, LLC

www.aceheaters.com

This document contains proprietary information from AHS, LLC. Do not reproduce or distribute without prior written consent of AHS, LLC.		ASME Section VIII Div 1: 2015 Ed. Design Pressure: 150 psig Test Pressure: 195 psig Max Design Temperature: 370°F	A.I:
SCALE: NA	Filename: SIHSW - COVER	SHEET 2 OF 2	
Dwg By: JL	Orig Date: 12/22/15	Rev Date:	Checked By:
MINIPACK SYSTEM - HORIZONTAL - SW Water 3W - Siemens Elect. Operated Valve Package			
Dwg #: SIHSWWE-3W-SIE - DIM [so:			REV 01