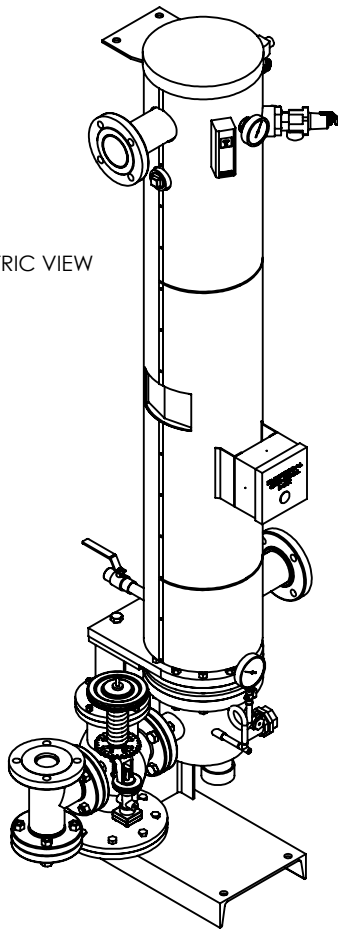


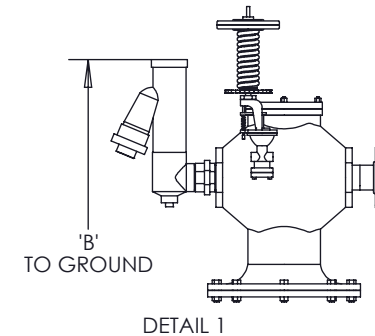
ISOMETRIC VIEW



NOTES:

1. REFER TO PRODUCT SPECIFICATION FOR DESCRIPTION OF LETTERED ITEMS.
2. CONDENSATE:
CONDENSATE IS TO BE PIPED FROM HEATER WITHOUT LIFTS TO A VENTED RECEIVER OR DRAIN BELOW THE ELEVATION OF THE HEATER'S CONDENSATE OUTLET.
3. INSTALLATION:
ALL COMPONENTS SHOWN HERE ARE PREWIRED & PREPIPED BY ACE HEATERS. CUSTOMER WILL ONLY NEED TO PLUMB WATER TO BE HEATED, PIPE STEAM AND CONDENSATE LINES, AND BRING ELECTRICITY TO UNIT.
4. DIMENSIONS ARE SUBJECT TO CHANGE. CONSULT FACTORY FOR TIGHT DIMENSIONS.
5. THIS CONFIGURATION CHANGES FOR VALVE SIZE 1/2" TO 2". SEE DETAIL 1 FOR REFERENCE.

APPROX. EMPTY WT:



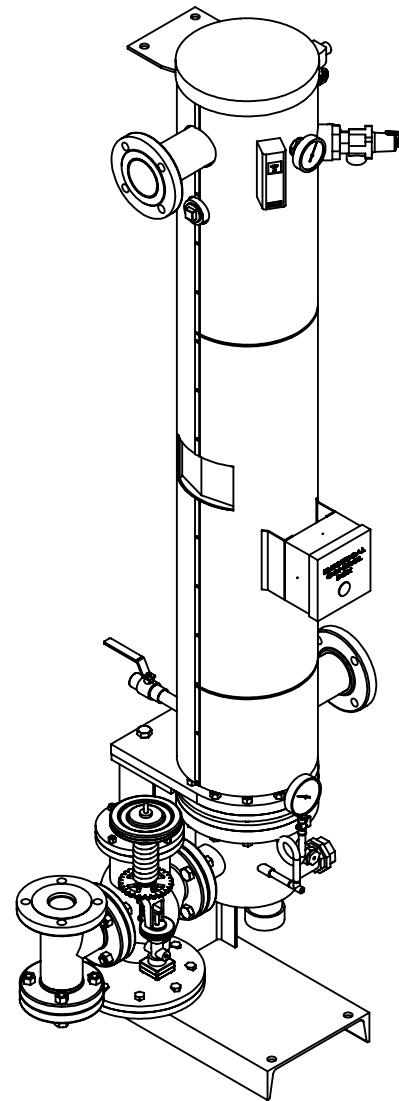
	CERTIFIED BY Ace Heaters, LLC www.aceheaters.com	
	MAXIMUM ALLOWABLE WORKING PRESSURE SHELL 150 PSI @ 210 °F TUBES 150 PSI @ 370 °F MIN. D.M.T. 0 °F @ 150 PSI S/N _____ YEAR BUILT _____	
	MODEL _____ CAPACITY _____ GAL SA. _____ JOB NO. _____	

Ace Heaters, LLC www.aceheaters.com		
This document contains proprietary information from AHS, LLC. Do not reproduce or distribute without prior written consent of AHS, LLC.	ASME Section VIII Div 1: 2015 Ed. Design Pressure: 150 psig Test Pressure: 195 psig Max Design Temperature: 370°F	A.I.:
SCALE: NA Dwg By: JL	Filename: SIVDW Orig Date: 12/17/15 Rev Date:	SHEET 1 OF 1 Checked By:
MINIPACK SYSTEM - VERICAL DW Steam - Pilot Electric Operated Valve Package		
Dwg #: SIVDWSP	SO:	REV 1

SIVDWSP, STEAM - PILOT OPERATED VALVE PACKAGE SIZE AND LOCATION

MP SIZE	5	6	8	10	12	14	16	
ITEMS	1	10	10 1/2	11 1/2	13 1/2	14 1/2	15 1/2	16 1/2
D	2	4	4 1/4	5 15/16	5 1/2	6 5/8	7 13/16	8 15/16
I	3	12 1/8	14 1/4	13 11/16	16 1/8	12 1/2	13 1/4	12 1/2
M	4	27 9/16	30 9/16	31 5/16	35 5/8	39 3/8	41 5/8	43 7/8
E	5	55	54 1/2	55 1/4	56	54 1/2	63	66 3/4
S	6	93 7/8	97 3/8	98 5/8	105 1/4	110	121	127
I	7	12	12	12	18	18	18	18
O	8	11 1/16	10 3/8	9 1/4	13 11/16	12	15 1/4	13 1/2
N	9	9 15/16	10 5/8	11 3/4	13 5/16	15	14 3/4	16 1/2
S	10	1 3/8	1 1/2	2 1/16	2 1/2	3 1/16	3 1/8	3 1/4
	11	4 13/16	4 3/4	5 9/16	5 5/16	7 3/4	6 7/8	7
INLET PIPE SIZE		2 1/2 FLG.	2 1/2 FLG.	3 FLG.	4 FLG.	4 FLG.	5 FLG.	6 FLG.
OUTLET PIPE SIZE		2 1/2 FLG.	2 1/2 FLG.	3 FLG.	4 FLG.	4 FLG.	5 FLG.	6 FLG.

VALVE SIZE	ITEM	VALVE SIZE AND OVERALL LOCATION						
1/2"	'A'	3/4						
	'B'	27 7/16	29 13/16	29 15/16	32 3/4	33	35 1/8	36
	'C'	18 3/8	18 5/8	19 5/8	22 1/8	23 5/8	25 5/8	27 5/8
	'D'	27 1/2	29 7/8	30	32 13/16	33 1/16	35 3/16	36 1/16
3/4"	'A'	1						
	'B'	27 1/2	29 7/8	30	32 13/16	33 1/16	35 3/16	36 1/16
	'C'	19 5/8	19 7/8	20 7/8	23 3/8	24 7/8	26 7/8	28 7/8
	'D'	30 3/4	33 1/8	33 1/4	36 1/16	36 5/16	38 7/16	39 5/16
1"	'A'	1 1/2						
	'B'	26 13/16	29 3/16	29 5/16	32 1/8	32 3/8	34 1/2	35 3/8
	'C'	20 13/16	21 1/16	22 1/16	24 9/16	26 1/16	28 1/16	30 1/16
	'D'	28 1/4	30 5/8	30 3/4	33 9/16	33 13/16	35 15/16	36 13/16
1 1/4"	'A'	1 1/2						
	'B'	27 7/8	30 1/4	30 3/8	33 3/16	33 7/16	35 9/16	36 7/16
	'C'	21 7/16	21 11/16	22 11/16	25 3/16	26 11/16	28 11/16	30 11/16
	'D'	28 3/4	31 1/8	31 1/4	34 1/16	34 5/16	36 7/16	37 5/16
1 1/2"	'A'	2						
	'B'	27 7/8	30 1/4	30 3/8	33 3/16	33 7/16	35 9/16	36 7/16
	'C'	23 3/16	23 7/16	24 7/16	26 15/16	28 7/16	30 7/16	32 7/16
	'D'	29	31 3/8	31 1/2	34 5/16	34 9/16	36 11/16	37 9/16
2"	'A'	2 1/2						
	'B'	28 5/16	30 11/16	30 13/16	33 5/8	33 7/8	36	36 7/8
	'C'	30 9/16	30 13/16	31 13/16	34 5/16	35 13/16	37 13/16	39 13/16
	'D'	32 5/16	34 11/16	34 13/16	37 5/8	37 7/8	40	40 7/8
2 1/2"	'A'	3						
	'B'	21 9/16	23 15/16	24 1/16	26 7/8	27 1/8	29 1/4	30 1/8
	'C'	20 5/8	20 7/8	21 7/8	24 3/8	25 7/8	27 7/8	29 7/8
	'D'	29 5/8	32	32 1/8	34 15/16	35 3/16	37 5/16	38 3/16
3"	'A'	4						
	'B'	N/A	26 1/2	26 5/8	29 7/16	29 11/16	31 13/16	32 11/16
	'C'	N/A	22 5/16	23 5/16	25 13/16	27 5/16	29 5/16	31 5/16
	'D'	N/A	35 3/16	35 5/16	38 1/8	38 3/8	40 1/2	41 3/8
4"	'A'	6						
	'B'	N/A	N/A	28 5/8	31 7/16	31 11/16	33 13/16	34 11/16
	'C'	N/A	N/A	27 9/16	30 1/16	31 9/16	33 9/16	35 9/16
	'D'	N/A	N/A	34 13/16	37 5/8	37 7/8	40	40 7/8
5"	'A'	6						
	'B'	N/A	N/A	N/A	31 7/16	31 11/16	33 13/16	34 11/16
	'C'	N/A	N/A	N/A	33 5/16	34 13/16	36 13/16	38 13/16
	'D'	N/A	N/A	N/A	38 1/8	38 3/8	40 1/2	41 3/8



ISOMETRIC VIEW

NOTES:

- 1/ DIMENSIONS IN INCHES, AND SUBJECT TO CHANGE WITHOUT NOTICE.
- 2/ DIM 'B', 'C', 'D' ARE TO BE APPROXIMATED ONLY, CONSULT FACTORY FOR TIGHT DIMENSIONS.

Ace Heaters, LLC
www.aceheaters.com

This document contains proprietary information from AHS, LLC. Do not reproduce or distribute without prior written consent of AHS, LLC.		ASME Section VIII Div 1: 2015 Ed. Design Pressure: 150 psig Test Pressure: 195 psig Max Design Temperature: 370°F	A.I.:
SCALE: NA	Filename: SIVDW	SHEET 1 OF 1	
Dwg By: JL	Orig Date: 12/17/15	Rev Date:	Checked By:
MINIPACK SYSTEM - VERICAL DW Steam - Pilot Operated Valve Package			
Dwg #: SIVDWSP-DIM		SO:	REV 1