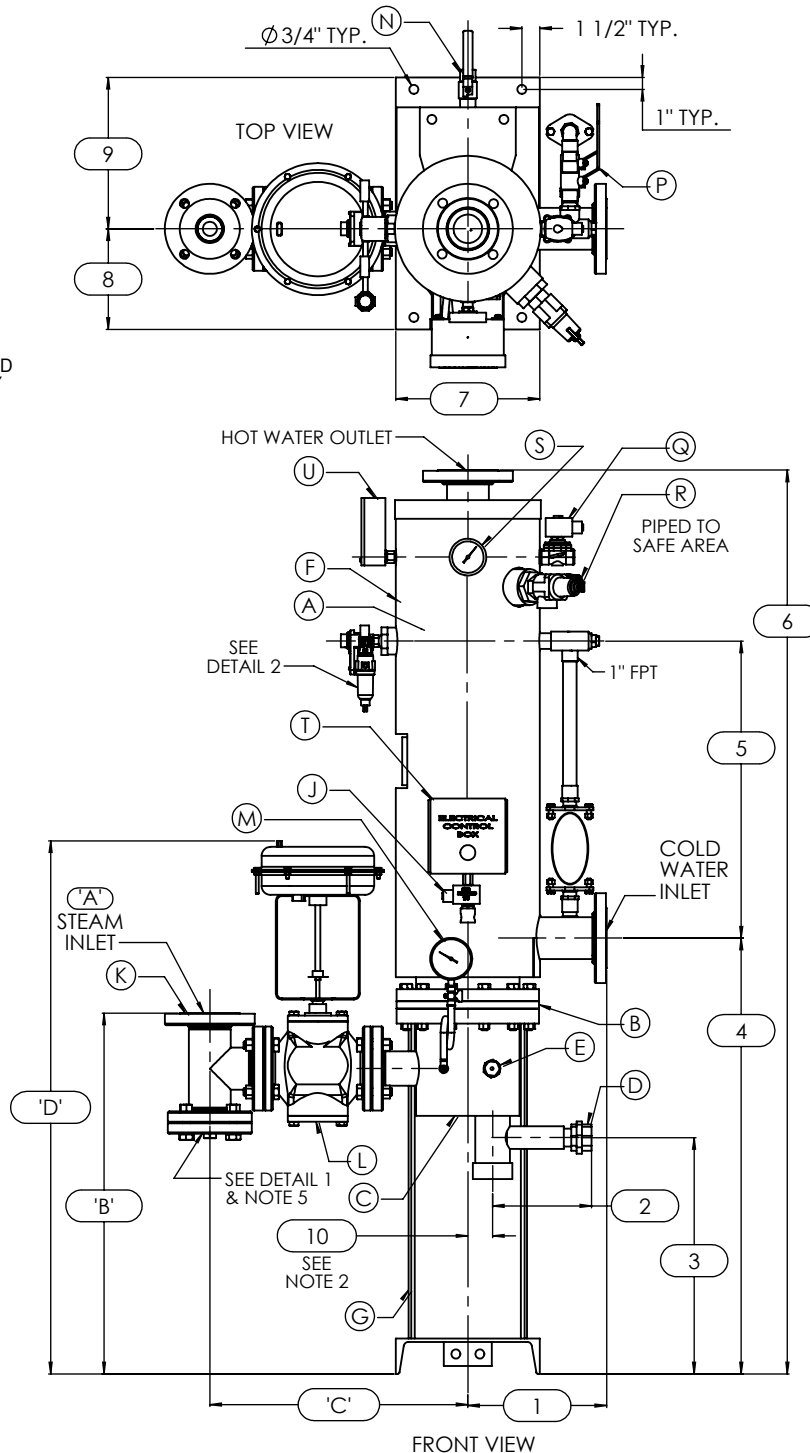
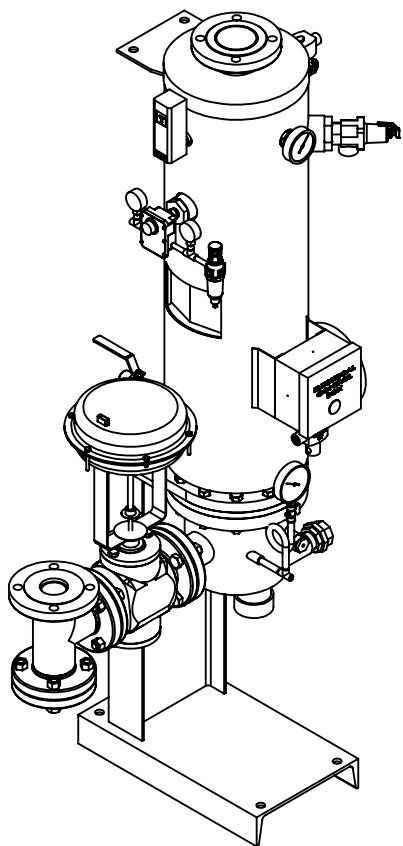


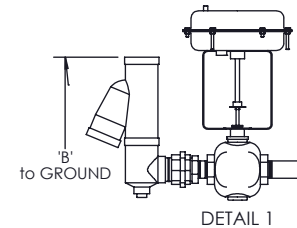
ISOMETRIC VIEW



**NOTES:**

1. REFER TO PRODUCT SPECIFICATION FOR DESCRIPTION OF LETTERED ITEMS.
2. CONDENSATE: CONDENSATE IS TO BE PIPED FROM HEATER WITHOUT LIFTS TO A VENTED RECEIVER OR DRAIN BELOW THE ELEVATION OF THE HEATER'S CONDENSATE OUTLET.
3. INSTALLATION: ALL COMPONENTS SHOWN HERE ARE PREWIRED & PREPIPED BY ACE HEATERS. CUSTOMER WILL ONLY NEED TO PLUMB WATER TO BE HEATED, PIPE STEAM AND CONDENSATE LINES, AND BRING ELECTRICITY TO UNIT.
4. DIMENSIONS ARE SUBJECT TO CHANGE. CONSULT FACTORY FOR TIGHT DIMENSIONS.
5. THIS CONFIGURATION CHANGES FOR VALVE SIZE 1/2" TO 2". SEE DETAIL 1 FOR REFERENCE.

APPROX. EMPTY WT:



	CERTIFIED BY	Ace Heaters, LLC www.aceheaters.com
	MAXIMUM ALLOWABLE WORKING PRESSURE	
	SHELL 150 PSI @ 210 °F	
	TUBES 150 PSI @ 370 °F	
	MIN. D.M.T. 0 °F @ 150 PSI	
S/N	YEAR BUILT 2016	
MODEL		
CAPACITY	GAL SA.	
JOB NO.		

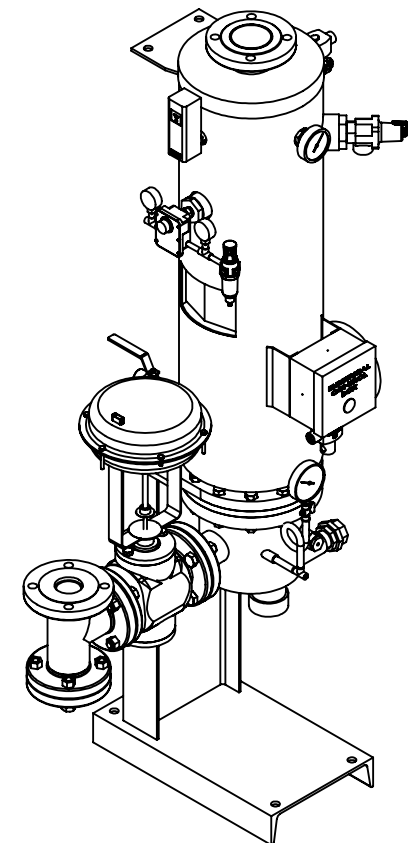
**Ace Heaters, LLC**  
www.aceheaters.com

This document contains proprietary information from AHS, LLC. Do not reproduce or distribute without prior written consent of AHS, LLC.		ASME Section VIII Div 1: 2015 Ed. Design Pressure: 150 psig Test Pressure: 195 psig Max Design Temperature: 370°F	A.I:
SCALE: NA	Filename: SIVSW	SHEET 1 OF 1	
Dwg By: JL	Orig Date: 12/17/15	Rev Date:	Checked By:
<b>MINIPACK SYSTEM - VERICAL SW</b> Steam - Pneumatic Operated Valve Package			
Dwg #: SIVSWSA	SO:	REV 1	

SIVSWA, STEAM - PNEUMATIC OPERATED VALVE PACKAGE SIZE AND LOCATION

		MP SIZE	4	5	6	8	8L	10	10L	12	12L	14	14L	16	16L
DIMENSIONS	ITEMS	1	9 1/2	11 1/2	12	11 9/16	11 9/16	13 7/16	13 7/16	14 7/16	14 7/16	15 3/4	15 3/4	17 5/8	17 5/8
		2	1 5/16	4	4 1/4	5 15/16	5 15/16	5 1/2	5 1/2	6 5/8	6 5/8	7 13/16	7 13/16	8 15/16	8 15/16
		3	25 3/8	19 1/8	26 5/8	19 11/16	19 11/16	20 1/8	20 1/8	16 1/8	16 1/8	21 3/8	21 3/8	30 1/8	30 1/8
		4	39 13/16	33 9/16	41 13/16	36 5/16	43 5/16	30 5/8	44 15/16	41 5/8	53 5/8	48 5/8	63 7/8	60 5/8	74 5/8
		5	30	23	30 1/4	24 3/4	30 3/4	25	31 11/16	24 1/2	36 1/2	30 1/2	45 3/4	40 1/2	54 1/2
		6	82 15/16	69 11/16	85 13/16	75 5/16	88 5/16	79 1/4	92 1/4	83 1/4	107 1/4	98 1/4	128 1/2	121 3/4	149 3/4
		7	12	12	12	12	12	18	18	18	18	18	18	18	18
		8	12 3/16	11 1/16	10 3/8	9 1/4	9 1/4	13 11/16	13 11/16	12	12	15 1/4	15 1/4	13 1/2	13 1/2
		9	8 13/16	9 15/16	10 5/8	11 3/4	11 3/4	13 5/16	13 5/16	15	15	14 3/4	14 3/4	16 1/2	16 1/2
		10	1	1	1	2 1/16	2 1/16	2 1/2	2 1/2	3 1/16	3 1/16	3 1/8	3 1/8	3 1/4	3 1/4
		INLET PIPE SIZE	2 THR.	2 1/2 FLG.	2 1/2 FLG.	3 FLG.	3 FLG.	4 FLG.	4 FLG.	4 FLG.	4 FLG.	5 FLG.	5 FLG.	6 FLG.	6 FLG.
	OUTLET PIPE SIZE	2 THR.	2 1/2 FLG.	2 1/2 FLG.	3 FLG.	3 FLG.	4 FLG.	4 FLG.	4 FLG.	4 FLG.	5 FLG.	5 FLG.	6 FLG.	6 FLG.	
VALVE SIZE AND OVERALL LOCATION															
VALVE SIZE	ITEM														
		3/4													
1/2"	A														
	B	40 11/16	34 7/16	42 3/16	35 15/16	42 15/16	36 3/4	43 3/4	36 5/8	48 5/8	43 1/4	58 1/4	53 5/8	67 5/8	
	C	19 13/16	20 5/16	20 9/16	21 9/16	21 9/16	24 1/16	24 1/16	25 9/16	25 9/16	27 9/16	27 9/16	29 9/16	29 9/16	
	D	40 3/4	34 1/2	42 1/4	36	43	36 13/16	43 13/16	36 11/16	48 11/16	43 5/16	58 5/16	53 11/16	67 11/16	
3/4"	A														
	B	40 3/4	34 1/2	42 1/4	36	43	36 13/16	43 13/16	36 11/16	48 11/16	43 5/16	58 5/16	53 11/16	67 11/16	
	C	20 13/16	21 5/16	21 9/16	22 9/16	22 9/16	25 1/16	25 1/16	26 9/16	26 9/16	28 9/16	28 9/16	30 9/16	30 9/16	
	D	46	39 3/4	47 1/2	41 1/4	48 1/4	42 1/16	49 1/16	41 15/16	53 15/16	48 9/16	63 9/16	58 15/16	72 15/16	
1"	A														
	B	40 1/16	33 13/16	41 9/16	35 5/16	42 5/16	36 1/8	43 1/8	36	48	42 5/8	57 5/8	53	67	
	C	21 5/8	22 1/8	22 3/8	23 3/8	23 3/8	25 7/8	25 7/8	27 3/8	27 3/8	29 3/8	29 3/8	31 3/8	31 3/8	
	D	46	39 3/4	47 1/2	41 1/4	48 1/4	42 1/16	49 1/16	41 15/16	53 15/16	48 9/16	63 9/16	58 15/16	72 15/16	
1 1/4"	A														
	B	41 1/8	34 7/8	42 5/8	36 3/8	43 3/8	37 3/16	44 3/16	37 1/16	49 1/16	43 11/16	58 11/16	54 1/16	68 1/16	
	C	20 15/16	21 7/16	21 11/16	22 11/16	22 11/16	25 3/16	25 3/16	26 11/16	26 11/16	28 11/16	28 11/16	30 11/16	30 11/16	
	D	46	39 3/4	47 1/2	41 1/4	48 1/4	42 1/16	49 1/16	41 15/16	53 15/16	48 9/16	63 9/16	58 15/16	72 15/16	
1 1/2"	A														
	B	41 1/8	34 7/8	42 5/8	36 3/8	43 3/8	37 3/16	44 3/16	37 1/16	49 1/16	43 11/16	58 11/16	54 1/16	68 1/16	
	C	21 9/16	22 1/16	22 5/16	23 5/16	23 5/16	25 13/16	25 13/16	27 5/16	27 5/16	29 5/16	29 5/16	31 5/16	31 5/16	
	D	46 3/4	40 1/2	48 1/4	42	49	42 13/16	49 13/16	42 11/16	54 11/16	49 5/16	64 5/16	59 11/16	73 11/16	
2"	A														
	B	41 9/16	35 5/16	43 1/16	36 13/16	43 13/16	37 5/8	44 5/8	37 1/2	49 1/2	44 1/8	59 1/8	54 1/2	68 1/2	
	C	23 3/4	24 1/4	24 1/2	25 1/2	25 1/2	28	28	29 1/2	29 1/2	31 1/2	31 1/2	33 1/2	33 1/2	
	D	48 7/16	42 3/16	49 15/16	43 11/16	50 11/16	44 1/2	51 1/2	44 3/8	56 3/8	51	66	61 3/8	75 3/8	
2 1/2"	A														
	B		28 9/16	36 5/16	30 1/16	37 1/16	30 7/8	37 7/8	30 3/4	42 3/4	37 3/8	52 3/8	47 3/4	61 3/4	
	C	N/A	20 1/4	20 1/2	21 1/2	21 1/2	24	24	25 1/2	25 1/2	27 1/2	27 1/2	29 1/2	29 1/2	
	D		42 15/16	50 11/16	44 7/16	51 7/16	45 1/4	52 1/4	45 1/8	57 1/8	51 3/4	66 3/4	62 1/8	76 1/8	
3"	A														
	B			38 7/8	32 5/8	39 5/8	33 7/16	40 7/16	33 5/16	45 5/16	39 15/16	54 15/16	50 5/16	64 5/16	
	C	N/A	N/A	22 5/16	23 5/16	23 5/16	25 13/16	25 13/16	27 5/16	27 5/16	29 5/16	29 5/16	31 5/16	31 5/16	
	D			52 9/16	46 5/16	53 5/16	47 1/8	54 1/8	47	59	53 5/8	68 5/8	64	78	
4"	A														
	B				34 5/8	41 5/8	35 7/16	42 7/16	35 5/16	47 5/16	41 15/16	56 15/16	52 5/16	66 5/16	
	C	N/A	N/A	N/A	27 3/16	27 3/16	29 11/16	29 11/16	31 3/16	31 3/16	33 3/16	33 3/16	35 3/16	35 3/16	
	D				48 5/16	55 5/16	49 1/8	56 1/8	49	61	55 5/8	70 5/8	66	80	
5"	A														
	B						35 7/16	42 7/16	35 5/16	47 5/16	41 15/16	56 15/16	52 5/16	66 5/16	
	C	N/A	N/A	N/A	N/A	N/A	33 5/16	33 5/16	34 13/16	34 13/16	36 13/16	36 13/16	38 13/16	38 13/16	
	D						49 1/8	56 1/8	49	61	55 5/8	70 5/8	66	80	

ISOMETRIC VIEW



NOTES:

1/ DIMENSIONS IN INCHES, AND SUBJECT TO CHANGE WITHOUT NOTICE.

2/ DIM 'B', 'C', 'D' ARE TO BE APPROXIMATED ONLY, CONSULT FACTORY FOR TIGHT DIMENSIONS.

Ace Heaters, LLC

www.aceheaters.com

This document contains proprietary information from AHS, LLC. Do not reproduce or distribute without prior written consent of AHS, LLC.	ASME Section VIII Div 1: 2015 Ed.	A.I.:
	Design Pressure: 150 psig Test Pressure: 195 psig Max Design Temperature: 370°F	

SCALE: NA	Filename: SIVSW -	SHEET 1 OF 1
Dwg By: JL	Orig Date: 12/17/15	Rev Date:
	Checked By:	

MINIPACK SYSTEM - VERICAL SW  
Steam - Pneumatic Operated Valve Package

Dwg #: SIVSWA-DIM	SO:	REV 1
-------------------	-----	-------