

8

7

6

5

4

3

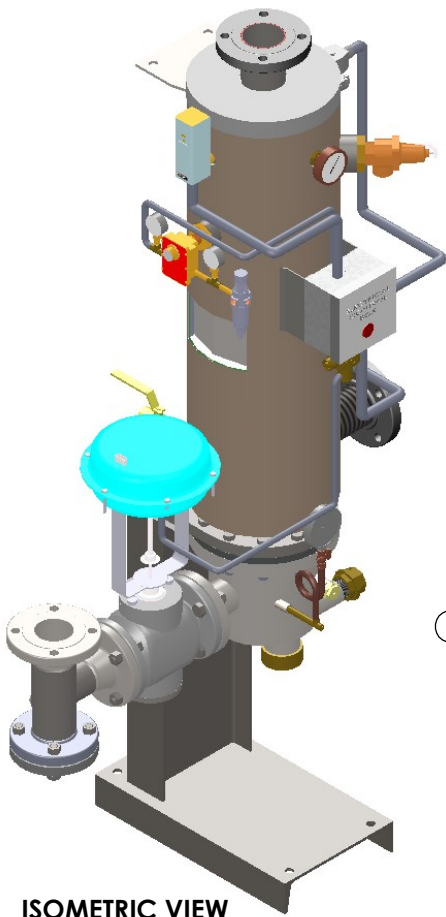
2

1

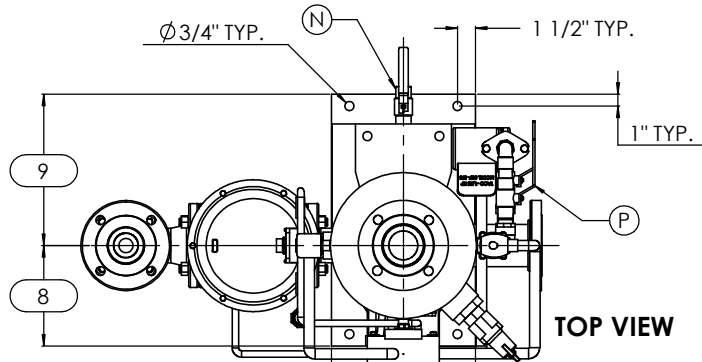
PNEUMATIC SIGNAL TO CONTROL VALVE

DETAIL 2

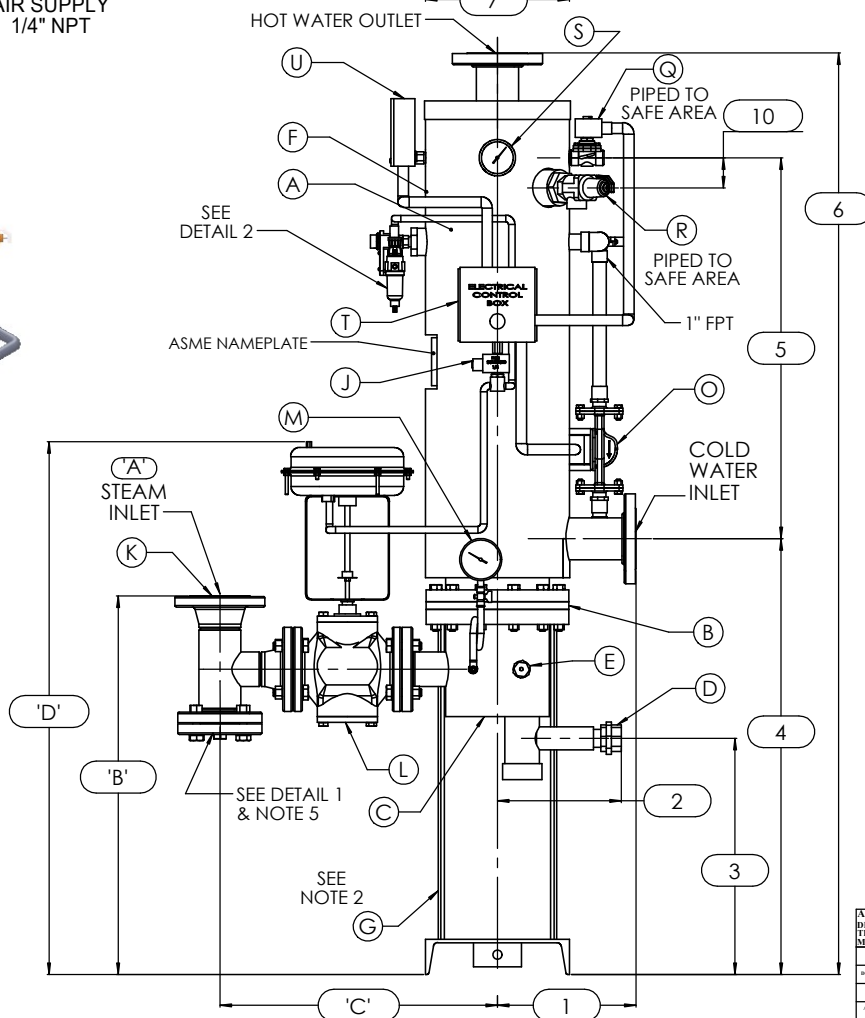
COMPRESSED AIR SUPPLY 1/4" NPT



ISOMETRIC VIEW



TOP VIEW

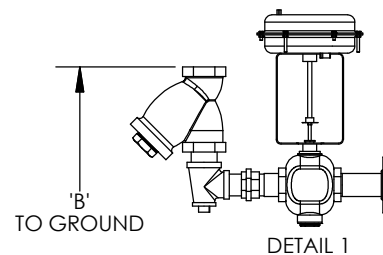


FRONT VIEW

NOTES:

1. REFER TO PRODUCT SPECIFICATION FOR DESCRIPTION OF LETTERED ITEMS.
2. **CONDENSATE:** CONDENSATE IS TO BE PIPED FROM HEATER WITHOUT LIFTS TO A VENTED RECEIVER OR DRAIN BELOW THE ELEVATION OF THE HEATER'S CONDENSATE OUTLET.
3. **INSTALLATION:** ALL COMPONENTS SHOWN HERE ARE PREWIRED & PREPARED BY ACE HEATERS, LLC. CUSTOMER WILL ONLY NEED TO PLUMB WATER TO BE HEATED, PIPE STEAM AND CONDENSATE LINES, AND BRING ELECTRICITY TO UNIT.
4. DIMENSIONS ARE SUBJECT TO CHANGE. CONSULT FACTORY FOR TIGHT DIMENSIONS.
5. THIS CONFIGURATION CHANGES FOR VALVE SIZE 1/2" TO 2". SEE DETAIL 1 FOR REFERENCE.

APPROX. EMPTY WT:



DETAIL 1



	CERTIFIED BY	
	Ace Heaters, LLC www.aceheatingllc.com	
	MAXIMUM ALLOWABLE WORKING PRESSURE SHELL 150 PSI @ 210 °F TUBES 150 PSI @ 370 °F MIN. D.M.T. 0 °F @ 150 PSI S/N _____ YEAR BUILT _____	
	MODEL _____ CAPACITY _____ GAL SA _____ SQFT JOB NO. _____ XXX	



ASME SECTION VIII DIV 1: DESIGN PRESSURE: (150) psig TEST PRESSURE: (195) psig MAX DESIGN TEMPERATURE: 370 °F		
NAME	DATE	
DRWNS K. JIMENEZ	04/12/2023	
CHDR		
APPRD		
MRG		
QA		

Ace Heaters, LLC
www.aceheaters.com

MATERIAL:	TITLE: SIVSW - COVER MINIPACK SYSTEM - VERTICAL SW STEAM - PNEUMATIC VALVE PACKAGE
FINISH:	
WEIGHT:	
UNLESS OTHERWISE SPECIFIED DIMENSIONS ARE IN INCHES TOLERANCE	
DECIMALS .XX ± .010	ANGULAR ± .5
SCALE: NA	SO#
DWG NO. SIVSWSA	REV. 02
SHEET: 1 OF 2	

THE INFORMATION CONTAINED WITHIN THIS DRAWING IS PROPRIETARY AND THE SOLE PROPERTY OF ACE HEATERS, LLC. ANY REPRODUCTION IN PART OR AS A WHOLE WITHOUT THE WRITTEN PERMISSION OF ACE HEATERS, LLC IS PROHIBITED.

8

7

6

5

4

3

2

1

8

7

6

5

4

3

2

1

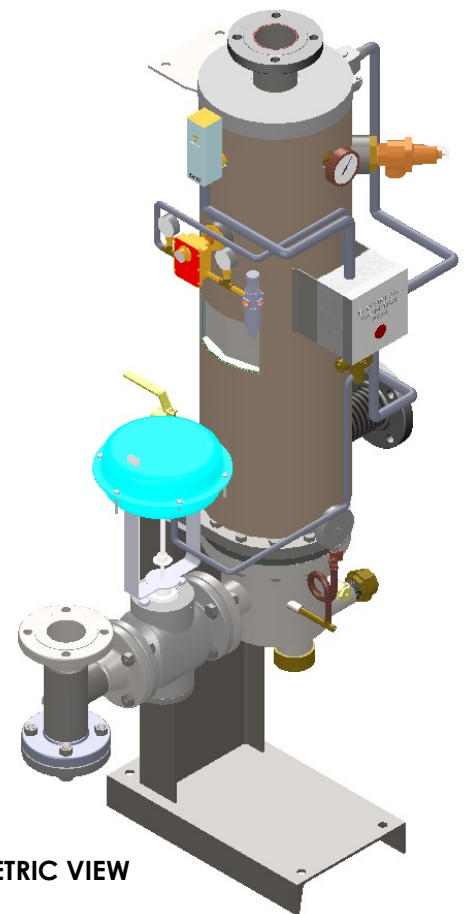
SIVSWSA, STEAM - PNEUMATIC OPERATED VALVE PACKAGE SIZE AND LOCATION

Table with columns for MP SIZE (4, 5, 6, 8, 8L, 10, 10L, 12, 12L, 14, 14L, 16, 16L) and rows for DIMENSIONS (ITEMS 1-10) and PIPE SIZES (INLET/OUTLET).

Table with columns for VALVE SIZE (1/2", 3/4", 1", 1 1/4", 1 1/2", 2", 2 1/2", 3", 4", 5") and rows for ITEM (A, B, C, D) under the heading VALVE SIZE AND OVERALL LOCATION.

NOTES:

- 1/ DIMENSIONS IN INCHES, AND SUBJECT TO CHANGE WITHOUT NOTICE.
2/ DIM 'B', 'C', 'D' ARE TO BE APPROXIMATED ONLY, CONSULT FACTORY FOR TIGHT DIMENSIONS.



ISOMETRIC VIEW



a nudyne company

Ace Heaters, LLC



Table with columns for NAME, DATE, and rows for DRAWN, CHECKED, APP'D, MISC, QA.

Table with columns for MATERIAL, FINISH, WEIGHT, DWG NO., and rows for TITLE, TOLERANCE, DECIMALS, SCALE, SHEET.

THE INFORMATION CONTAINED WITHIN THIS DRAWING IS PROPRIETARY AND THE SOLE PROPERTY OF ACE HEATERS, LLC. ANY REPRODUCTION IN PART OR AS A WHOLE WITHOUT THE WRITTEN PERMISSION OF ACE HEATERS, LLC IS PROHIBITED.

8

7

6

5

4

3

2

1