

8

7

6

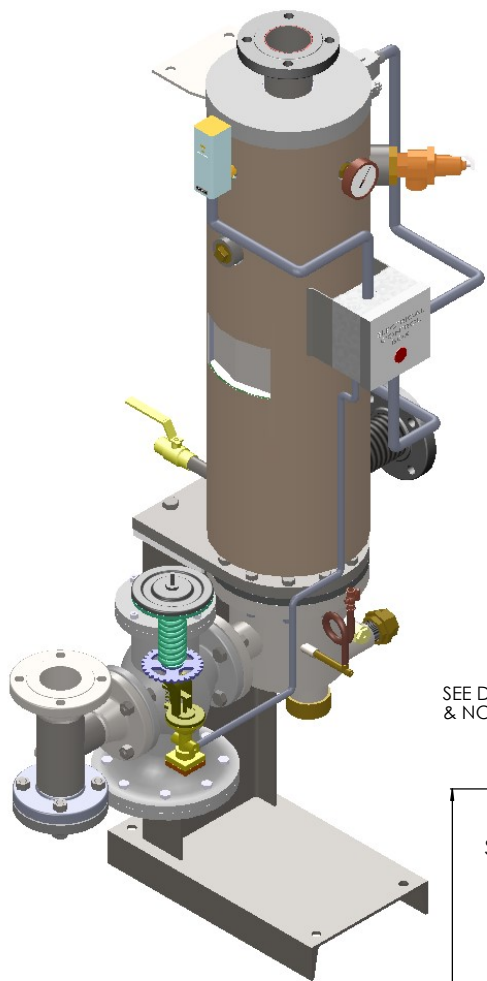
5

4

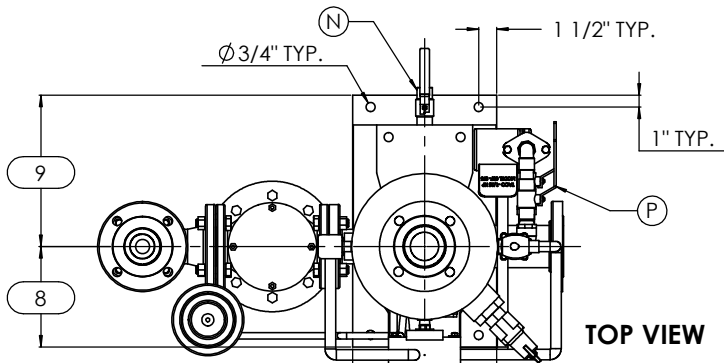
3

2

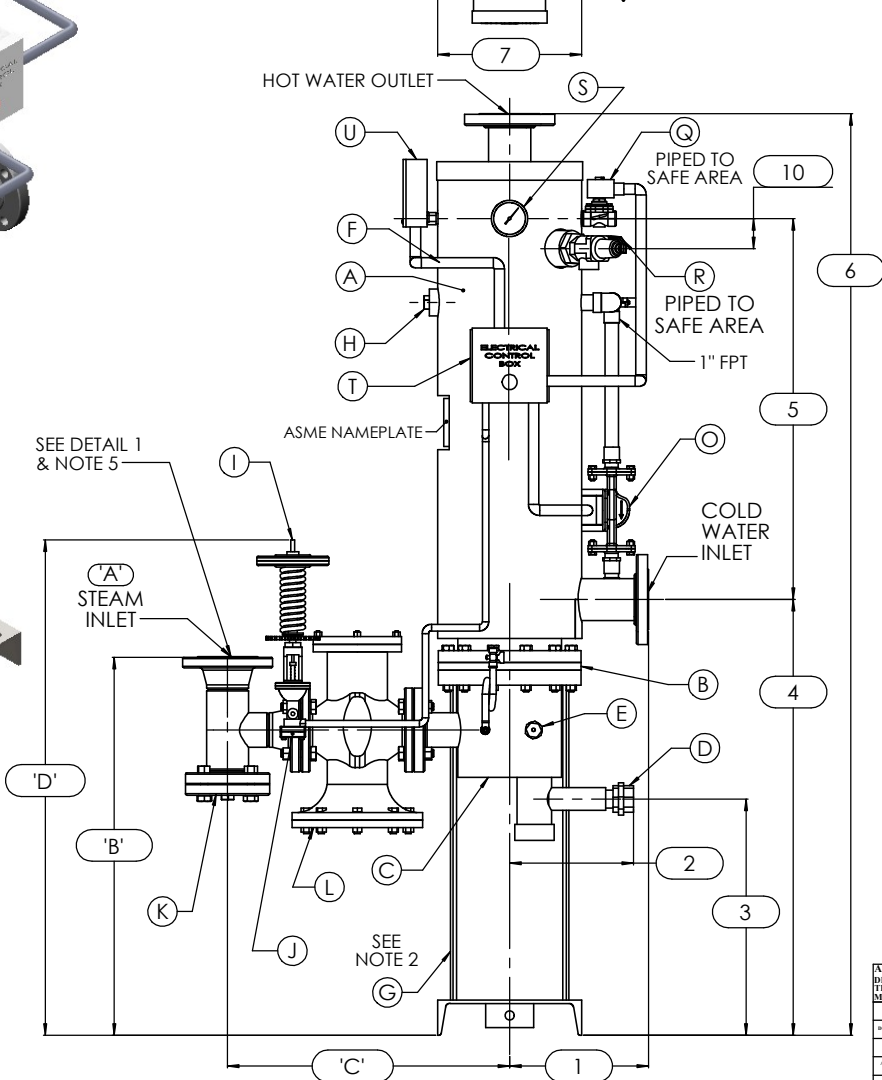
1



ISOMETRIC VIEW



TOP VIEW

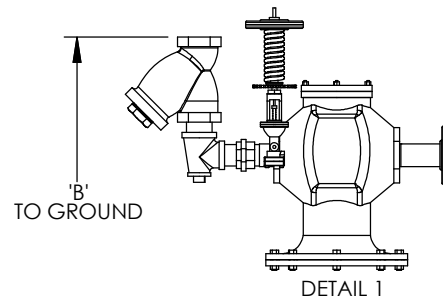


FRONT VIEW

NOTES:

1. REFER TO PRODUCT SPECIFICATION FOR DESCRIPTION OF LETTERED ITEMS.
2. **CONDENSATE:**
CONDENSATE IS TO BE PIPED FROM HEATER WITHOUT LIFTS TO A VENTED RECEIVER OR DRAIN BELOW THE ELEVATION OF THE HEATER'S CONDENSATE OUTLET.
3. **INSTALLATION:**
ALL COMPONENTS SHOWN HERE ARE PREWIRED & PREPARED BY ACE HEATERS. CUSTOMER WILL ONLY NEED TO PLUMB WATER TO BE HEATED, PIPE STEAM AND CONDENSATE LINES, AND BRING ELECTRICITY TO UNIT.
4. DIMENSIONS ARE SUBJECT TO CHANGE. CONSULT FACTORY FOR TIGHT DIMENSIONS.
5. THIS CONFIGURATION CHANGES FOR VALVE SIZE 1/2" TO 2". SEE DETAIL 1 FOR REFERENCE.

APPROX. EMPTY WT:



DETAIL 1



	CERTIFIED BY Ace Heaters, LLC www.aceheatingllc.com	
	MAXIMUM ALLOWABLE WORKING PRESSURE SHELL 150 PSI @ 210 °F TUBES 150 PSI @ 370 °F MIN. D.M.T. 0 °F @ 150 PSI S/N _____ YEAR BUILT _____	
MODEL _____ CAPACITY _____ GAL SA _____ SQFT JOB NO. _____ XXX		



ASME SECTION VIII DIV 1 DESIGN PRESSURE: (150) psig TEST PRESSURE: (195) psig MAX DESIGN TEMPERATURE: 370 °F	
NAME	DATE
K. JIMENEZ	04/12/2023
CHD	
APPD	
MR	
QA	

Ace Heaters, LLC

MATERIAL:	TITLE: SIVSW - COVER
FINISH:	MINIPACK SYSTEM - VERTICAL SW
WEIGHT:	STEAM - PILOT OPERATED VALVE PACKAGE
UNLESS OTHERWISE SPECIFIED DIMENSIONS ARE IN INCHES TOLERANCE	
DECIMALS .XX	ANGULAR ± 3
XX ± .010	MAX SURF
DWG NO. SIVSWSP	REV. 02
SCALE: NA	SHEET: 1 OF 2

THE INFORMATION CONTAINED WITHIN THIS DRAWING IS PROPRIETARY AND THE SOLE PROPERTY OF ACE HEATERS, LLC. ANY REPRODUCTION IN PART OR AS A WHOLE WITHOUT THE WRITTEN PERMISSION OF ACE HEATERS, LLC IS PROHIBITED.

8

7

6

5

4

3

2

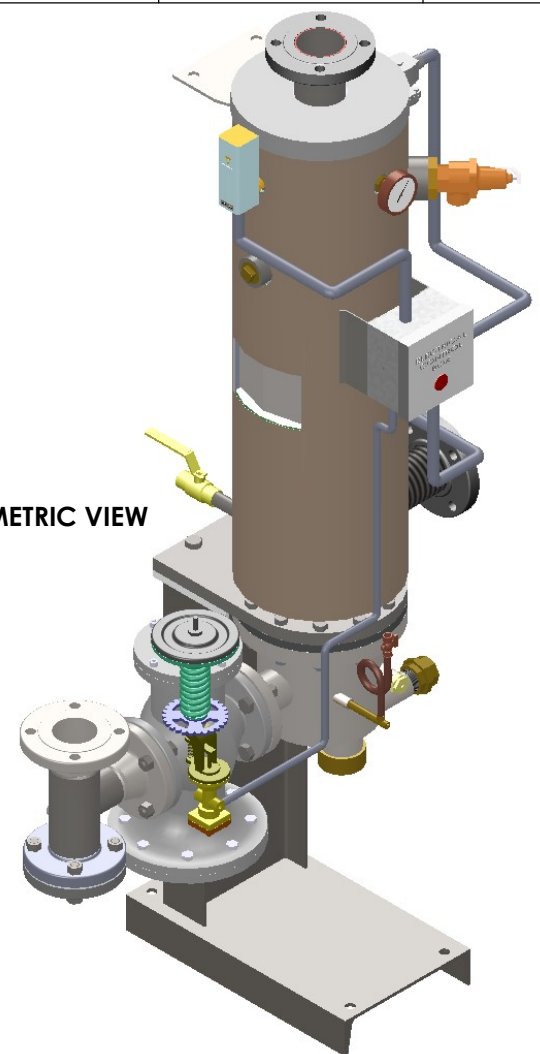
1

SIVSWSP, STEAM - PILOT OPERATED VALVE PACKAGE SIZE AND LOCATION

MP SIZE	4	5	6	8	8L	10	10L	12	12L	14	14L	16	16L	
ITEMS	1	11 1/2	12	11 9/16	11 9/16	13 7/16	13 7/16	14 7/16	14 7/16	15 3/4	15 3/4	17 5/8	17 5/8	
DIMENSIONS	2	4 7/16	7 5/8	8	10 5/16	10 5/16	9 5/16	10 3/8	11 9/16	11 9/16	14 1/8	14 1/8	15 3/8	15 3/8
	3	25 3/8	19 1/8	26 5/8	19 11/16	19 11/16	20 1/8	20 1/8	16 1/8	16 1/8	21 3/8	21 3/8	30 1/8	30 1/8
	4	39 13/16	33 9/16	41 13/16	36 5/16	43 5/16	30 5/8	44 15/16	41 5/8	53 5/8	48 5/8	63 7/8	60 5/8	74 5/8
	5	36	30	36 3/4	31 3/4	37 3/4	32 1/2	38 1/2	33 1/4	45 1/4	40 1/2	55 3/4	50 1/2	65 3/4
	6	82 15/16	69 11/16	85 13/16	75 5/16	88 5/16	79 1/4	92 1/4	83 1/4	107 1/4	98 1/4	128 1/2	121 3/4	149 3/4
	7	12	12	12	12	12	12	18	18	18	18	18	18	18
	8	12 3/16	11 1/16	10 3/8	9 1/4	9 1/4	13 11/16	13 11/16	12	12	15 1/4	15 1/4	13 1/2	13 1/2
	9	8 13/16	9 15/16	10 5/8	11 3/4	11 3/4	13 5/16	13 5/16	15	15	14 3/4	14 3/4	16 1/2	16 1/2
	10	2 1/2	2 1/2	2 1/2	2 1/2	2 1/2	2 1/2	2 1/2	2 1/2	2 1/2	2 1/2	2 1/2	2 1/2	2 1/2
	INLET PIPE SIZE	2 THR.	2 1/2 FLG.	2 1/2 FLG.	3 FLG.	3 FLG.	4 FLG.	4 FLG.	4 FLG.	4 FLG.	5 FLG.	5 FLG.	6 FLG.	6 FLG.
OUTLET PIPE SIZE	2 THR.	2 1/2 FLG.	2 1/2 FLG.	3 FLG.	3 FLG.	4 FLG.	4 FLG.	4 FLG.	4 FLG.	5 FLG.	5 FLG.	6 FLG.	6 FLG.	

VALVE SIZE	ITEM	VALVE SIZE AND OVERALL LOCATION												
1/2"	'A'	3/4												
	'B'	35 3/8	29 1/8	36 7/8	30 5/8	37 5/8	31 7/16	38 7/16	31 5/16	43 5/16	37 15/16	52 15/16	48 5/16	62 5/16
	'C'	17 7/8	18 3/8	18 5/8	19 5/8	19 5/8	22 1/8	22 1/8	23 5/8	23 5/8	25 5/8	25 5/8	27 5/8	27 5/8
	'D'	40 3/4	34 1/2	42 1/4	36	43	36 13/16	43 13/16	36 11/16	48 11/16	43 5/16	58 5/16	53 11/16	67 11/16
3/4"	'A'	1												
	'B'	36 7/16	30 3/16	37 15/16	31 11/16	38 11/16	32 1/2	39 1/2	32 3/8	44 3/8	39	54	49 3/8	63 3/8
	'C'	19 1/8	19 5/8	19 7/8	20 7/8	20 7/8	23 3/8	23 3/8	24 7/8	24 7/8	26 7/8	26 7/8	28 7/8	28 7/8
	'D'	44	37 3/4	45 1/2	39 1/4	46 1/4	40 1/16	47 1/16	39 15/16	51 15/16	46 9/16	61 9/16	56 15/16	70 15/16
1"	'A'	1 1/2												
	'B'	36 7/8	30 5/8	38 3/8	32 1/8	39 1/8	32 15/16	39 15/16	32 13/16	44 13/16	39 7/16	54 7/16	49 13/16	63 13/16
	'C'	20 5/16	20 13/16	21 1/16	22 1/16	22 1/16	24 9/16	24 9/16	26 1/16	26 1/16	28 1/16	28 1/16	30 1/16	30 1/16
	'D'	41 1/2	35 1/4	43	36 3/4	43 3/4	37 9/16	44 9/16	37 7/16	49 7/16	44 1/16	59 1/16	54 7/16	68 7/16
1 1/4"	'A'	1 1/2												
	'B'	37 7/8	31 5/8	39 3/8	33 1/8	40 1/8	33 15/16	40 15/16	33 13/16	45 13/16	40 7/16	55 7/16	50 13/16	64 13/16
	'C'	20 15/16	21 7/16	21 11/16	22 11/16	22 11/16	25 3/16	25 3/16	26 11/16	26 11/16	28 11/16	28 11/16	30 11/16	30 11/16
	'D'	42	35 3/4	43 1/2	37 1/4	44 1/4	38 1/16	45 1/16	37 15/16	49 15/16	44 9/16	59 9/16	54 15/16	68 15/16
1 1/2"	'A'	2												
	'B'	39 7/16	33 3/16	40 15/16	34 11/16	41 11/16	35 1/2	42 1/2	35 3/8	47 3/8	42	57	52 3/8	66 3/8
	'C'	22 11/16	23 3/16	23 7/16	24 7/16	24 7/16	26 15/16	26 15/16	28 7/16	28 7/16	30 7/16	30 7/16	32 7/16	32 7/16
	'D'	42 1/4	36	43 3/4	37 1/2	44 1/2	38 5/16	45 5/16	38 3/16	50 3/16	44 13/16	59 13/16	55 3/16	69 3/16
2"	'A'	2 1/2												
	'B'	41 7/16	35 3/16	42 15/16	36 11/16	43 11/16	37 1/2	44 1/2	37 3/8	49 3/8	44	59	54 3/8	68 3/8
	'C'	30 1/16	30 9/16	30 13/16	31 13/16	31 13/16	34 5/16	34 5/16	35 13/16	35 13/16	37 13/16	37 13/16	39 13/16	39 13/16
	'D'	45 9/16	39 5/16	47 1/16	40 13/16	47 13/16	41 5/8	48 5/8	41 1/2	53 1/2	48 1/8	63 1/8	58 1/2	72 1/2
2 1/2"	'A'	3												
	'B'	N/A	30 1/16	37 13/16	31 9/16	38 9/16	32 3/8	39 3/8	32 1/4	44 1/4	38 7/8	53 7/8	49 1/4	63 1/4
	'C'	N/A	20 5/8	20 7/8	21 7/8	21 7/8	24 3/8	24 3/8	25 7/8	25 7/8	27 7/8	27 7/8	29 7/8	29 7/8
	'D'	N/A	36 5/8	44 3/8	38 1/8	45 1/8	38 15/16	45 15/16	38 13/16	50 13/16	45 7/16	60 7/16	55 13/16	69 13/16
3"	'A'	4												
	'B'	N/A	N/A	38 7/8	32 5/8	39 5/8	33 7/16	40 7/16	33 5/16	45 5/16	39 15/16	54 15/16	50 5/16	64 5/16
	'C'	N/A	N/A	22 5/16	23 5/16	23 5/16	25 13/16	25 13/16	27 5/16	27 5/16	29 5/16	29 5/16	31 5/16	31 5/16
	'D'	N/A	N/A	47 9/16	41 5/16	48 5/16	42 1/8	49 1/8	42	54	48 5/8	63 5/8	59	73
4"	'A'	6												
	'B'	N/A	N/A	N/A	34 9/16	41 9/16	35 3/8	42 3/8	35 1/4	47 1/4	41 7/8	56 7/8	52 1/4	66 1/4
	'C'	N/A	N/A	N/A	27 9/16	27 9/16	30 1/16	30 1/16	31 9/16	31 9/16	33 9/16	33 9/16	35 9/16	35 9/16
	'D'	N/A	N/A	N/A	40 13/16	47 13/16	41 5/8	48 5/8	41 1/2	53 1/2	48 1/8	63 1/8	58 1/2	72 1/2
5"	'A'	6												
	'B'	N/A	N/A	N/A	N/A	N/A	35 3/8	42 3/8	35 1/4	47 1/4	41 7/8	56 7/8	52 1/4	66 1/4
	'C'	N/A	N/A	N/A	N/A	N/A	33 5/16	33 5/16	34 13/16	34 13/16	36 13/16	36 13/16	38 13/16	38 13/16
	'D'	N/A	N/A	N/A	N/A	N/A	42 1/8	49 1/8	42	54	48 5/8	63 5/8	59	73

ISOMETRIC VIEW



a nudyne company

Ace Heaters, LLC
www.aceheaters.com



REV	DATE	BY	APPD
04/12/2023	K. JIMENEZ		

MATERIAL:	TITLE: SIVSW - COVER MINIPACK SYSTEM - VERTICAL SW STEAM - PILOT OPERATED VALVE PACKAGE
FINISH:	
WEIGHT:	
UNLESS OTHERWISE SPECIFIED DIMENSIONS ARE IN INCHES TOLERANCE	DWG NO. SIVSWSP-DIM
DECIMALS .XX ± .010	ANGULAR ± .5
SCALE: NA	SHEET: 2 OF 2

NOTES:
1/ DIMENSIONS IN INCHES, AND SUBJECT TO CHANGE WITHOUT NOTICE.
2/ DIM 'B', 'C', 'D' ARE TO BE APPROXIMATED ONLY, CONSULT FACTORY FOR TIGHT DIMENSIONS.

THE INFORMATION CONTAINED WITHIN THIS DRAWING IS PROPRIETARY AND THE SOLE PROPERTY OF ACE HEATERS, LLC. ANY REPRODUCTION IN PART OR AS A WHOLE WITHOUT THE WRITTEN PERMISSION OF ACE HEATERS, LLC IS PROHIBITED.