



# AJAX E-4000WH

## High Efficiency Gas Condensing Water Heater

### Submittal Sheet

Section 1 - Specifications  
Section 2 - Dimensions  
Section 3 - Electrical

**Project Name:** \_\_\_\_\_ **Date:** \_\_\_\_\_

**Location:** \_\_\_\_\_

**Engineer:** \_\_\_\_\_

**Contractor:** \_\_\_\_\_ **Rep:** \_\_\_\_\_

## 1 SPECIFICATIONS

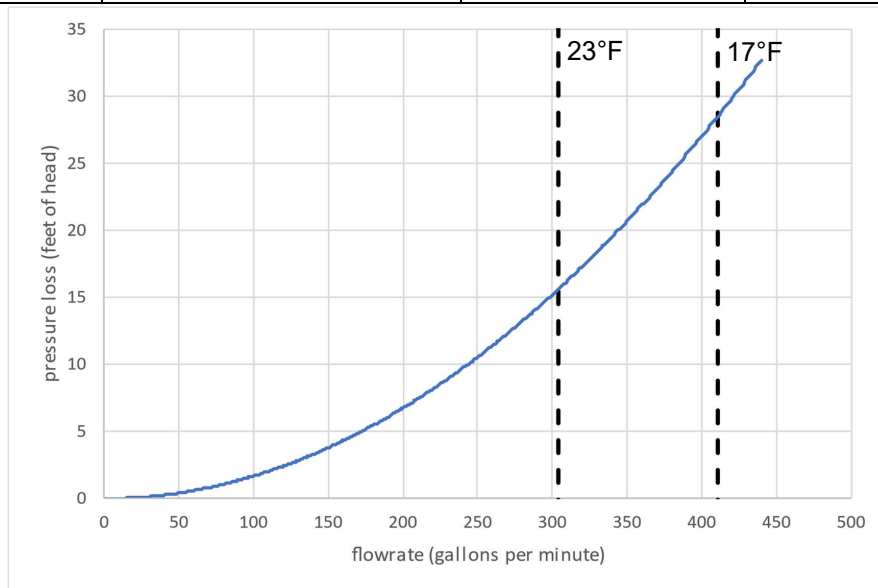
### General Specifications

- ▶ **Product Features**
  - Certified to ANSI Z21.10.3 / CSA 4.3 Gas Water Heater Standard
  - ASME “HLW” stamped, designed and constructed in compliance with the ASME Boiler and Pressure Vessel Code Section IV
  - SA-249 TP316L Stainless Steel Heat Exchanger
  - Maximum System Water Pressure 160 psi [1100 kPa]
  - Field conversion from Natural Gas (factory) to Propane
  - Modulating Burner, 8:1 Turndown, Low Nox emissions <20ppm
  - Direct Spark Ignition, Sealed Combustion
  - Outdoor Model Std. with Freeze Protection
  - Easy serviceability
- ▶ **Factory Supplied Items**
  - 150PSI ASME Pressure Relief Valve
  - ANSI Flange Adapters
- ▶ **Control Features**
  - Integrated cascade manager up to 16 units
  - Optimized connectivity options (0-10V, Modbus, etc.)
  - Low Water Flow Safety Control and Indication
- ▶ **Touchscreen Features**
  - Performance Graphs for Single and Cascaded units
  - Live status screen for 10+ values (temp, flow rate, etc.)

Water Connections ANSI FLG, in.	Gas Connection NPT, in.	Vent/Air-inlet Pipe Diameter, in.	Vent/Air-inlet Max. Length, NG/LP, ft.	Approx. Weight with Water, lb.
4	2 (Male)	12 / 12	150 / 150	2692

### Performance Specifications

Input Modulation, MBH	Rated Volume, gal.	Thermal Efficiency, %	Recovery Rate @ 100°F Rise, GPH
4000	45.3	99	4754





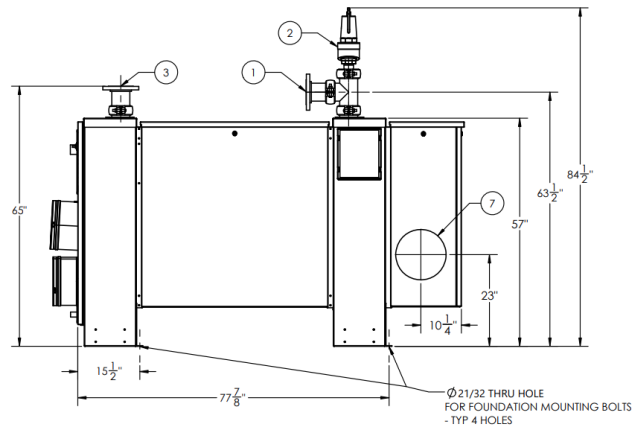
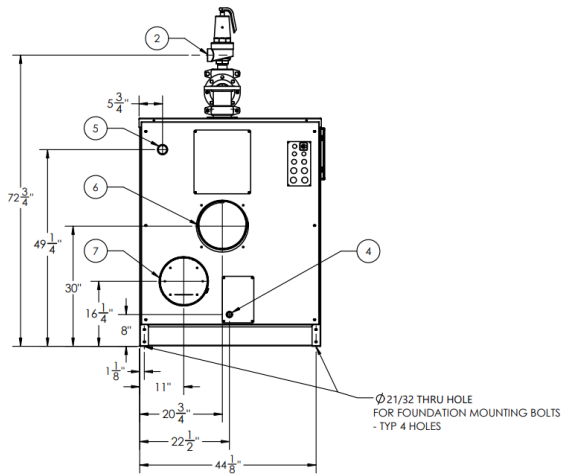
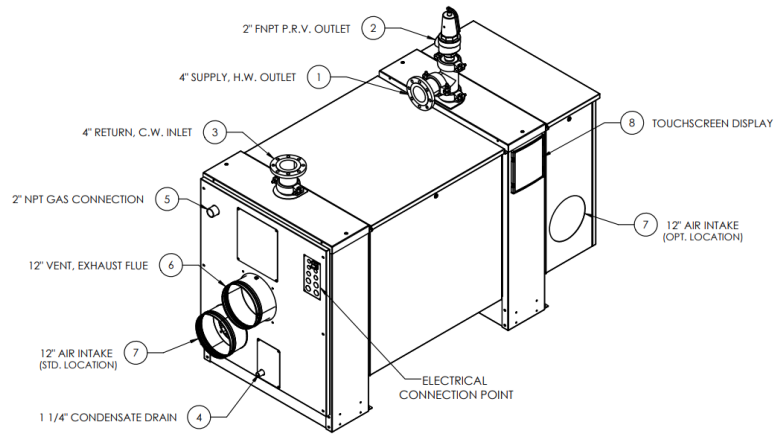
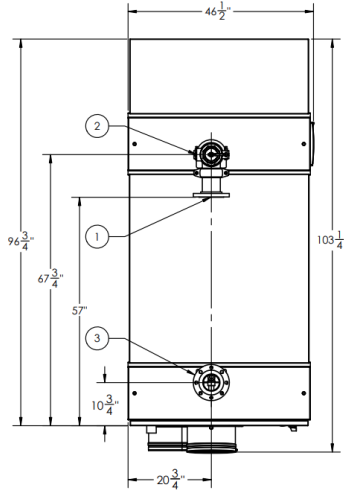
# AJAX E-4000WH High Efficiency Gas Condensing Water Heater

## Submittal Sheet

Section 1 - Specifications  
Section 2 - Dimensions  
Section 3 - Electrical

### 2 DIMENSIONS

#### Product Dimensions – in.



#### Installation and Service Clearances (Minimum / Recommended) – in.

Top	Front	Left	Right	Back	Bottom
30/36	20/50	24/50	2/36	20/36	0/0





# AJAX E-4000WH High Efficiency Gas Condensing Water Heater

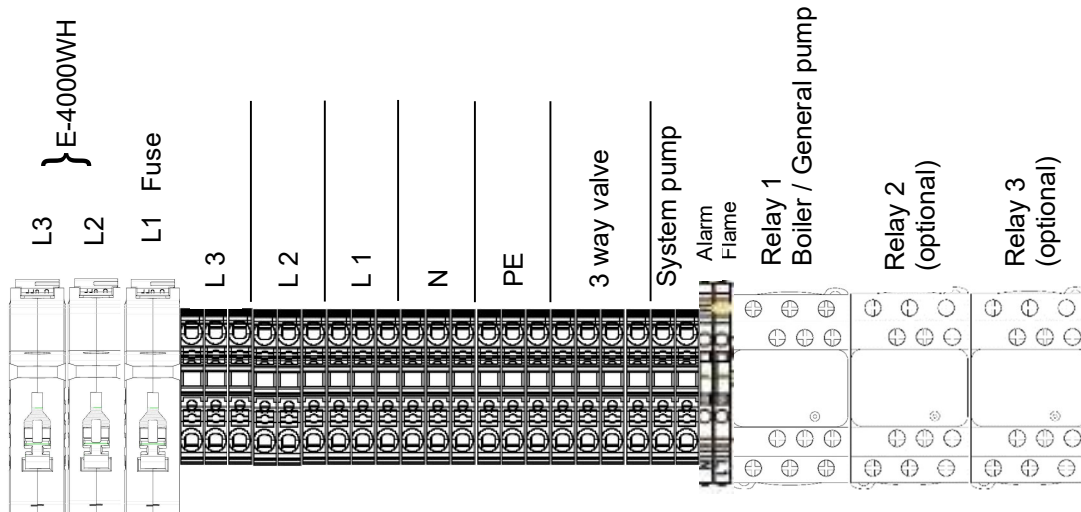
## Submittal Sheet

Section 1 - Specifications  
Section 2 - Dimensions  
Section 3 - Electrical

### 3 ELECTRICAL

#### Mains Voltage Connections:

- ▶ 480VAC / 3 Phase / 60 Hz / 3x 3A (Standard)
  - 480VAC / 3 Phase / 60 Hz or 277VAC / 1 Phase / 60 Hz pumps can be selected.
  - Note: Pumps are field supplied.
- ▶ The boiler circulator (Heating or DHW) can be mounted to relay 1 in the electrical housing. When more circulators are needed (a system circulator, or a DHW circulator with a heating boiler) extra relays must be applied. These are available as an accessory.



#### Low Voltage Connections:

29	28	27	26	25	24	23	22	21	20	19	18	17	16	15	14	13	12	11	10	9	8	7	6	5	4	3	2	1
						-	+	-	+	Gnd		Gnd	+	-	+			-	+	B	A	Gnd						
Safety switch 2	Safety switch 1	Flue Damper	LWCO Extern	AL-BUS managing boiler	Pump control PWM	Pump control 0-10V	0-10 Vdc	On/Off thermostat or modulating thermostat	AL-BUS depending boiler	Modbus			DHW sensor	System sensor	Outdoor sensor													
Interrupteur de sécurité 2	Interrupteur de sécurité 1	Clapet de cheminée	Eau basse coupure à l'extérieur	AL-BUS chaudière gérant	Commande de pompe PWM	Commande de pompe 0-10V	0-10 Vcc	Thermostat marche/arrêt ou thermostat modulant	AL-BUS chaudière dépendant				Capteur ECS	Capteur de système	Capteur extérieur													

