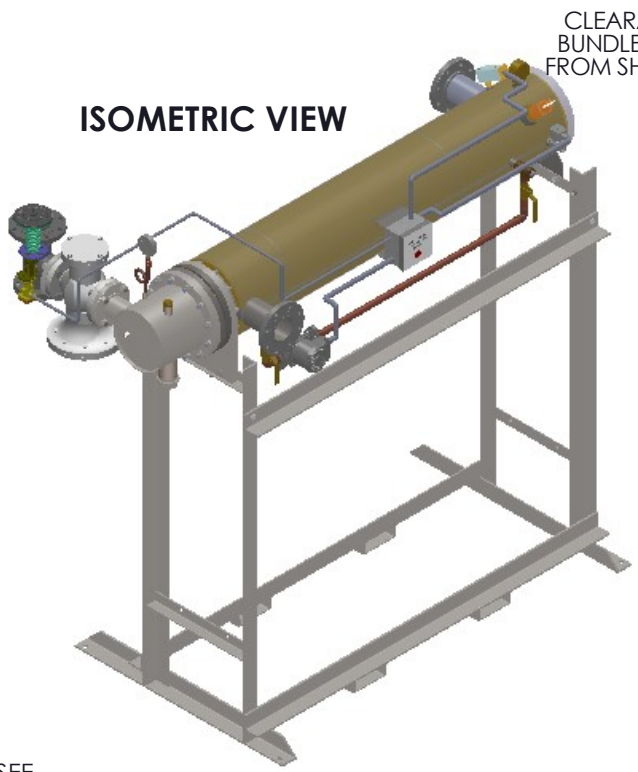
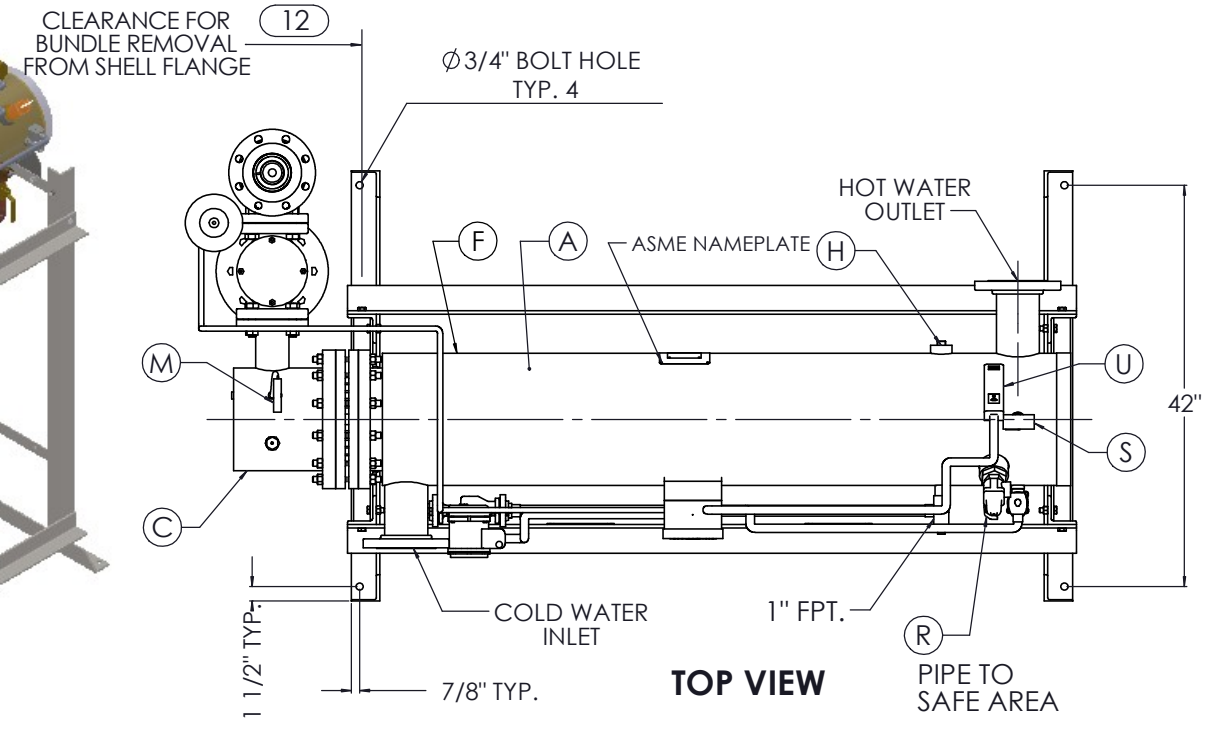


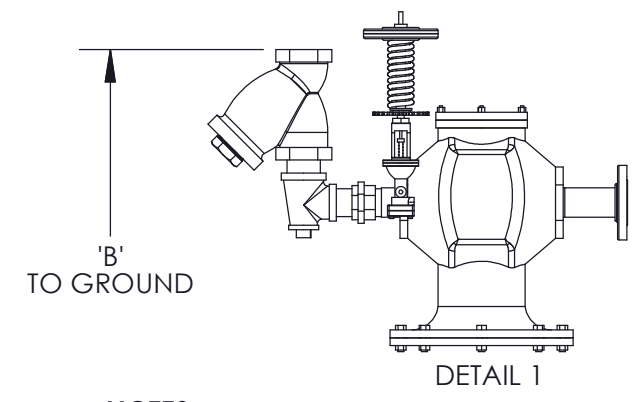
8 7 6 5 4 3 2 1



ISOMETRIC VIEW

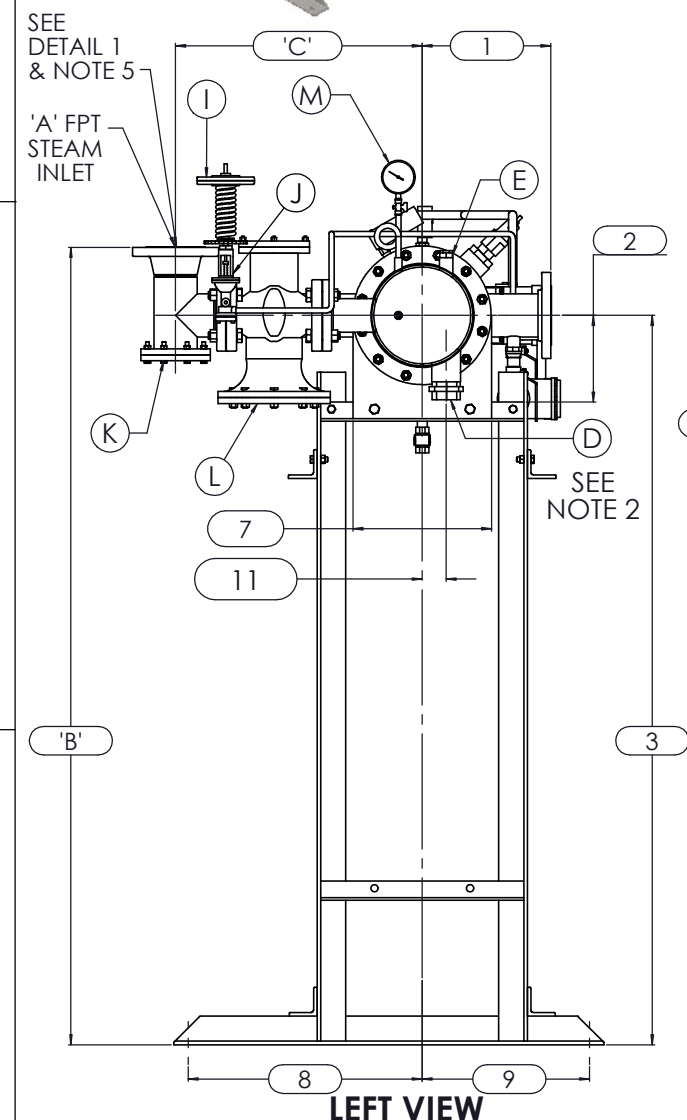


TOP VIEW

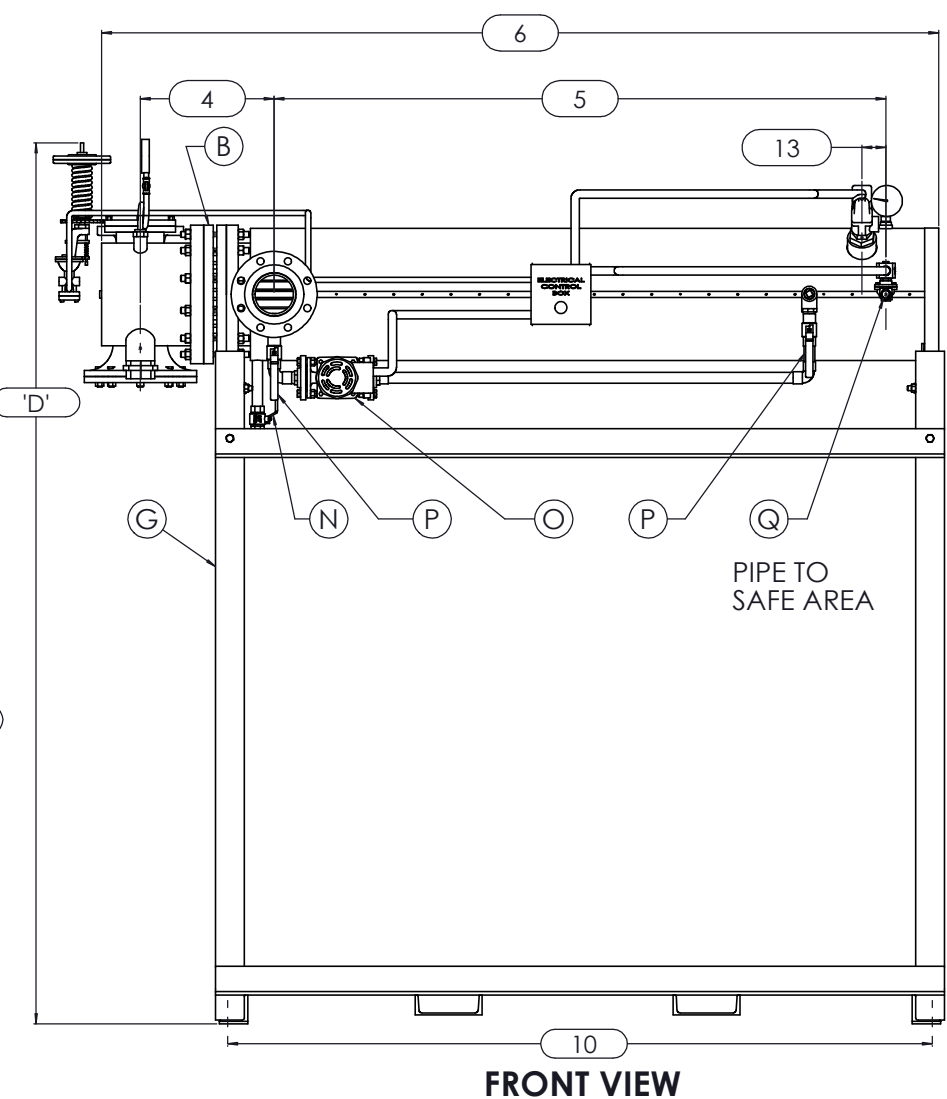


**NOTES:**

1. REFER TO PRODUCT SPECIFICATION FOR DESCRIPTION OF LETTERED ITEMS.
2. CONDENSATE: CONDENSATE IS TO BE PIPED FROM HEATER WITHOUT LIFTS TO A VENTED RECEIVER OR DRAIN BELOW THE ELEVATION OF THE HEATER'S CONDENSATE OUTLET.
3. INSTALLATION: ALL COMPONENTS SHOWN HERE ARE PREWIRED & PREPIPED BY ACE HEATERS, LLC. CUSTOMER WILL ONLY NEED TO PLUMB WATER TO BE HEATED, PIPE STEAM AND CONDENSATE LINES, AND BRING ELECTRICITY TO UNIT.
4. DIMENSIONS ARE SUBJECT TO CHANGE. CONSULT FACTORY FOR TIGHT DIMENSIONS.
5. THIS CONFIGURATION CHANGES FOR VALVE SIZE 1/2" TO 2". SEE DETAIL 1 FOR REFERENCE. APPROX. EMPTY WT:



LEFT VIEW



FRONT VIEW



NB ASME U	CERTIFIED BY <b>Ace Heaters, LLC</b> www.aceheatingllc.com
	MAXIMUM ALLOWABLE WORKING PRESSURE SHELL 150 PSI @ 210 °F TUBES 150 PSI @ 370 °F MIN. D.M.T. 0 °F @ 150 PSI S/N _____ YEAR BUILT _____
MODEL _____ CAPACITY _____ GAL SA. SQFT JOB NO. _____ XXX	



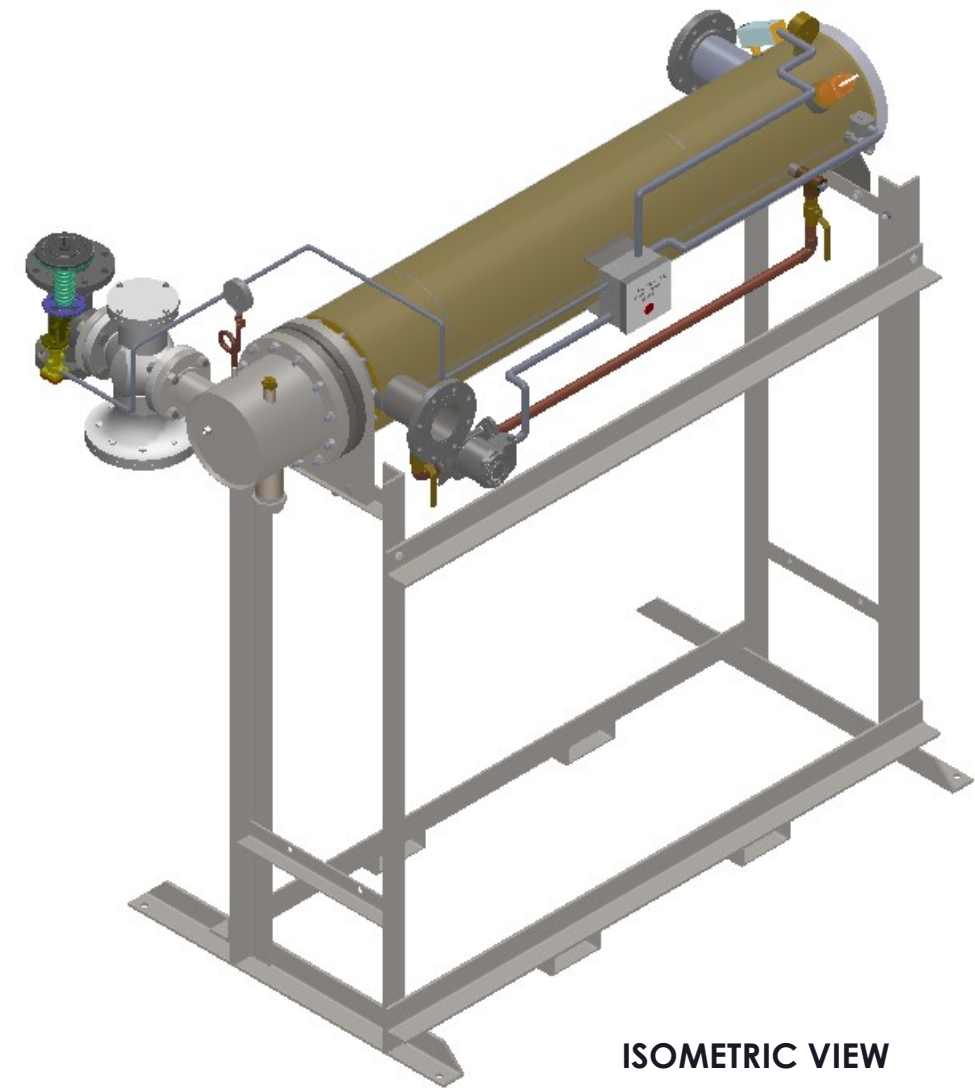
ASME SECTION VIII DIV 1 : DESIGN PRESSURE : (150) psig TEST PRESSURE : (195) psig MAX DESIGN TEMPERATURE : 370 °F	
NAME	DATE
DRAWN K.JIMENEZ	04/12/2023
CRD	
APPVD	
SEC	
QA	

Ace Heaters, LLC www.aceheaters.com	
MATERIAL :	TITLE : SIHDW - COVER
FINISH :	MINIPACK SYSTEM-HORIZONTAL DW
WEIGHT :	STEAM- PILOT OPERATED VALVE
UNLESS OTHERWISE SPECIFIED DIMENSIONS ARE IN INCHES TOLERANCE DECIMALS .XX ± .05 ANGULAR ± 5 .XXX ± .010 MAX SURF	
DWG NO. SIHDWSP-1-DR	REV. 02
SCALE : N/A	S/O #
SHEET : 1 OF 2	

THE INFORMATION CONTAINED WITHIN THIS DRAWING IS PROPRIETARY AND THE SOLE PROPERTY OF ACE HEATERS, LLC. ANY REPRODUCTION IN PART OR AS A WHOLE WITHOUT THE WRITTEN PERMISSION OF ACE HEATERS, LLC IS PROHIBITED.

8 7 6 5 4 3 2 1

		8	7	6	5	4	3	2	1	
SIHDWSP-1-DR, DW - STEAM - PILOT VALVE PACKAGE - SINGLE UNIT ON RACK										
		MP SIZE	5	6	8	10	12	14	16	
D	DIMENSION	ITEMS	1	10 1/2	10 1/2	11 1/2	13 1/2	14 1/2	15 1/2	16 1/2
		2	7 11/16	8 3/16	10 1/8	10 13/16	12 1/2	12 1/4	14	
		3	59 15/16	60 7/16	62 3/8	76 1/16	77 3/4	77 1/2	79 1/4	
		4	10 5/8	11 1/4	12 1/8	13 3/8	15 5/8	17 11/16	18 9/16	
		5	61 1/2	62	61 3/4	64	62 1/2	72	75 3/4	
		6	80 3/16	81 5/16	83 9/16	87 1/8	94 7/16	104 1/16	110 15/16	
		7	8 3/4	9 7/8	11 7/8	14 1/2	16 5/8	18 1/2	20	
		8	26 1/2	26 1/2	26 1/2	26 1/2	26 1/2	26 1/2	26 1/2	
		9	15 1/2	15 1/2	15 1/2	15 1/2	15 1/2	15 1/2	15 1/2	
		10	68 1/4	69 3/8	70 3/8	71 7/8	74 5/16	82 15/16	82 15/16	
		11	1 3/8	1 1/2	2 1/16	2 1/2	3 1/16	3 1/8	3 1/4	
		12	64	64	64	64	64	75	80	
		13	2 1/2	2 1/2	2 1/2	2 1/2	2 1/2	2 1/2	2 1/2	
INLET PIPE SIZE		2 1/2 FLG.	2 1/2 FLG.	3 FLG.	4 FLG.	4 FLG.	5 FLG.	6 FLG.		
OUTLET PIPE SIZE		2 1/2 FLG.	2 1/2 FLG.	3 FLG.	4 FLG.	4 FLG.	5 FLG.	6 FLG.		
		VALVE SIZE AND OVERALL LOCATION								
C	1/2"	'A'	3/4							
		'B'	65 1/8	65 5/8	67 9/16	81 1/4	82 15/16	82 11/16	84 7/16	
		'C'	18 3/8	18 5/8	19 5/8	22 1/8	23 5/8	25 5/8	27 5/8	
		'D'	70 1/2	71	72 15/16	86 5/8	88 5/16	88 1/16	89 13/16	
	3/4"	'A'	1							
		'B'	66 3/16	66 11/16	68 5/8	82 5/16	84	83 3/4	85 1/2	
		'C'	19 5/8	19 7/8	20 7/8	23 3/8	24 7/8	26 7/8	28 7/8	
		'D'	70 1/2	71	72 15/16	86 5/8	88 5/16	88 1/16	89 13/16	
	1"	'A'	1 1/4							
		'B'	66 5/8	67 1/8	69 1/16	82 3/4	84 7/16	84 3/16	85 15/16	
		'C'	22 1/8	22 3/8	23 3/8	25 7/8	27 3/8	29 3/8	31 3/8	
		'D'	71 1/4	71 3/4	73 11/16	87 3/8	89 1/16	88 13/16	90 9/16	
	1 1/4"	'A'	1 1/2							
		'B'	67 5/8	68 1/8	70 1/16	83 3/4	85 7/16	85 3/16	86 15/16	
		'C'	21 7/16	21 11/16	22 11/16	25 3/16	26 11/16	28 11/16	30 11/16	
		'D'	71 3/4	72 1/4	74 3/16	87 7/8	89 9/16	89 5/16	91 1/16	
1 1/2"	'A'	2								
	'B'	69 3/16	69 11/16	71 5/8	85 5/16	87	86 3/4	88 1/2		
	'C'	23 3/16	23 7/16	24 7/16	26 15/16	28 7/16	30 7/16	32 7/16		
	'D'	72	72 1/2	74 7/16	88 1/8	89 13/16	89 9/16	91 5/16		
2"	'A'	2 1/2								
	'B'	71 3/16	71 11/16	73 5/8	87 5/16	89	88 3/4	90 1/2		
	'C'	30 9/16	30 13/16	31 13/16	34 5/16	35 13/16	37 13/16	39 13/16		
	'D'	75 5/16	75 13/16	77 3/4	91 7/16	93 1/8	92 7/8	94 5/8		
2 1/2"	'A'	3								
	'B'	66 1/16	66 9/16	68 1/2	82 3/16	83 7/8	83 5/8	85 3/8		
	'C'	20 5/8	20 7/8	21 7/8	24 3/8	25 7/8	27 7/8	29 7/8		
	'D'	72 5/8	73 1/8	75 1/16	88 3/4	90 7/16	90 3/16	91 15/16		
3"	'A'	4								
	'B'	N/A	67 5/8	69 9/16	83 1/4	84 15/16	84 11/16	86 7/16		
	'C'	N/A	22 5/16	23 5/16	25 13/16	27 5/16	29 5/16	31 5/16		
	'D'	N/A	76 5/16	78 1/4	91 15/16	93 5/8	93 3/8	95 1/8		
4"	'A'	4								
	'B'	N/A	N/A	71 1/2	85 3/16	86 7/8	86 5/8	88 3/8		
	'C'	N/A	N/A	19 9/16	19 9/16	19 9/16	19 9/16	19 9/16		
	'D'	N/A	N/A	77 3/4	91 7/16	93 1/8	92 7/8	94 5/8		
5"	'A'	6								
	'B'	N/A	N/A	N/A	85 3/16	86 7/8	86 5/8	88 3/8		
	'C'	N/A	N/A	N/A	22 13/16	22 13/16	22 13/16	22 13/16		
	'D'	N/A	N/A	N/A	91 15/16	93 5/8	93 3/8	95 1/8		



ISOMETRIC VIEW



a nudyne company

Ace Heaters, LLC  
www.aceheaters.com



ASME SECTION VIII DIV 1 : DESIGN PRESSURE : (150) psig TEST PRESSURE : (195) psig MAX DESIGN TEMPERATURE : 370 °F	
NAME	DATE
K.JIMENEZ	04/12/2023
DRWN	
CHLD	
APPVD	
SEC	
QA	

MATERIAL :	TITLE : SIHDW - COVER
FINISH :	MINIPACK SYSTEM-HORIZONTAL DW
WEIGHT :	STEAM- PILOT OPERATED VALVE PACKAGE-SINGLE UNIT ON DUAL RACK
UNLESS OTHERWISE SPECIFIED DIMENSIONS ARE IN INCHES	DWG NO. SIHDWSP-1-DR-DIM
TOLERANCE	REV. 02
DECIMALS .XX ± .05	SCALE : N/A
ANGULAR .XXX ± .010	S/O#
MAX SURF	SHEET : 2 OF 2

THE INFORMATION CONTAINED WITHIN THIS DRAWING IS PROPRIETARY AND THE SOLE PROPERTY OF ACE HEATERS, LLC. ANY REPRODUCTION IN PART OR AS A WHOLE WITHOUT THE WRITTEN PERMISSION OF ACE HEATERS, LLC IS PROHIBITED.