

8

7

6

5

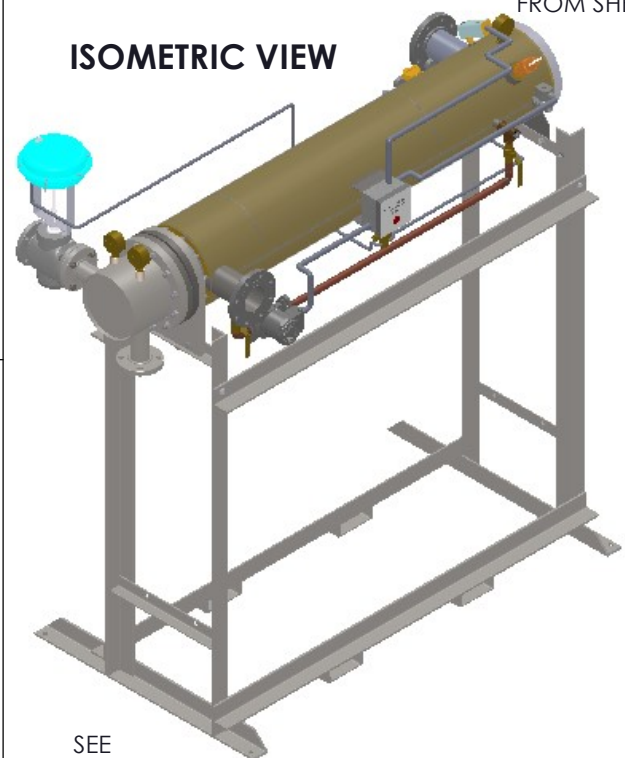
4

3

2

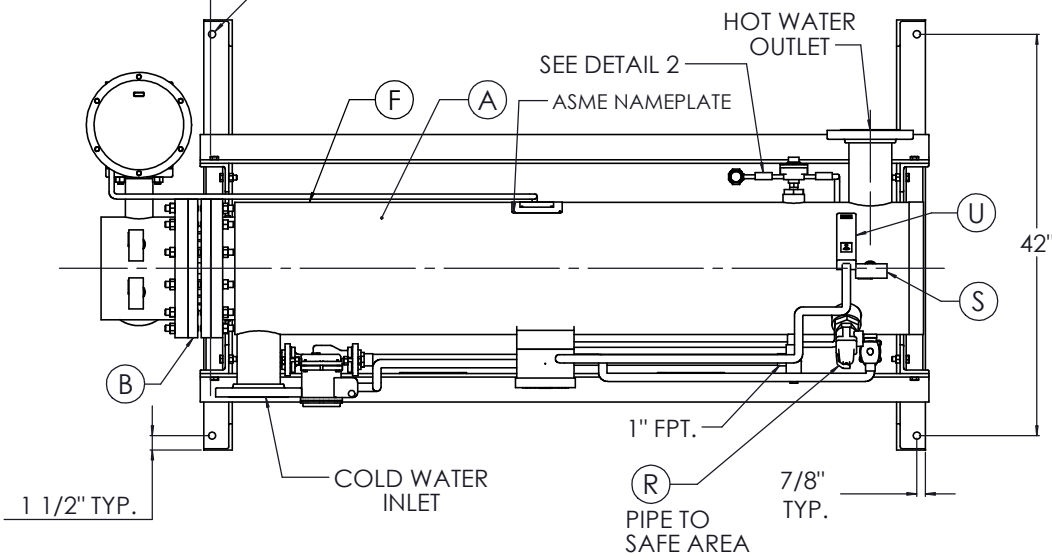
1

### ISOMETRIC VIEW



CLEARANCE FOR BUNDLE REMOVAL FROM SHELL FLANGE 12

Ø3/4" BOLT HOLE TYP. 4

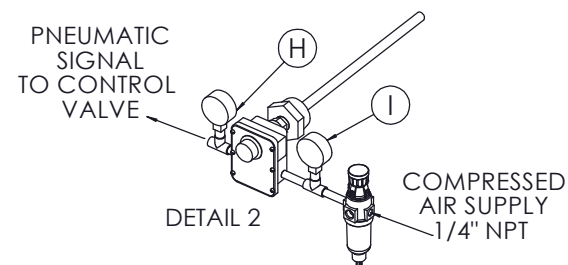


### TOP VIEW

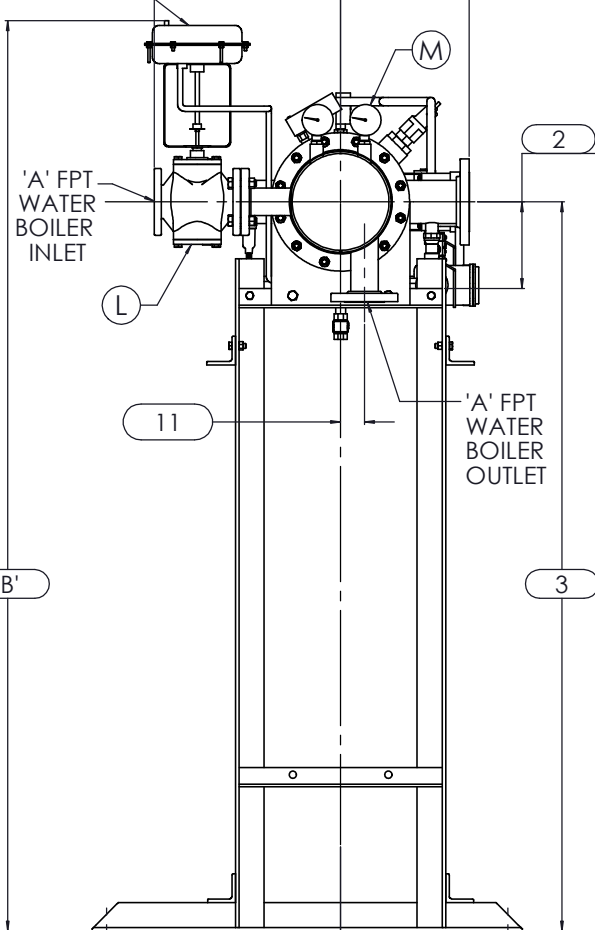
### NOTES:

1. REFER TO PRODUCT SPECIFICATION FOR DESCRIPTION OF LETTERED ITEMS.
2. **INSTALLATION:** ALL COMPONENTS SHOWN HERE ARE PREWIRED & PREPIPED BY ACE HEATERS, LLC. CUSTOMER WILL ONLY NEED TO PLUMB WATER TO BE HEATED, PIPE STEAM AND CONDENSATE LINES, AND BRING ELECTRICITY TO UNIT.
3. DIMENSIONS ARE SUBJECT TO CHANGE. CONSULT FACTORY FOR TIGHT DIMENSIONS.
4. THIS CONFIGURATION CHANGES FOR VALVE SIZE 1/2" TO 2". SEE DETAIL 1 FOR REFERENCE.

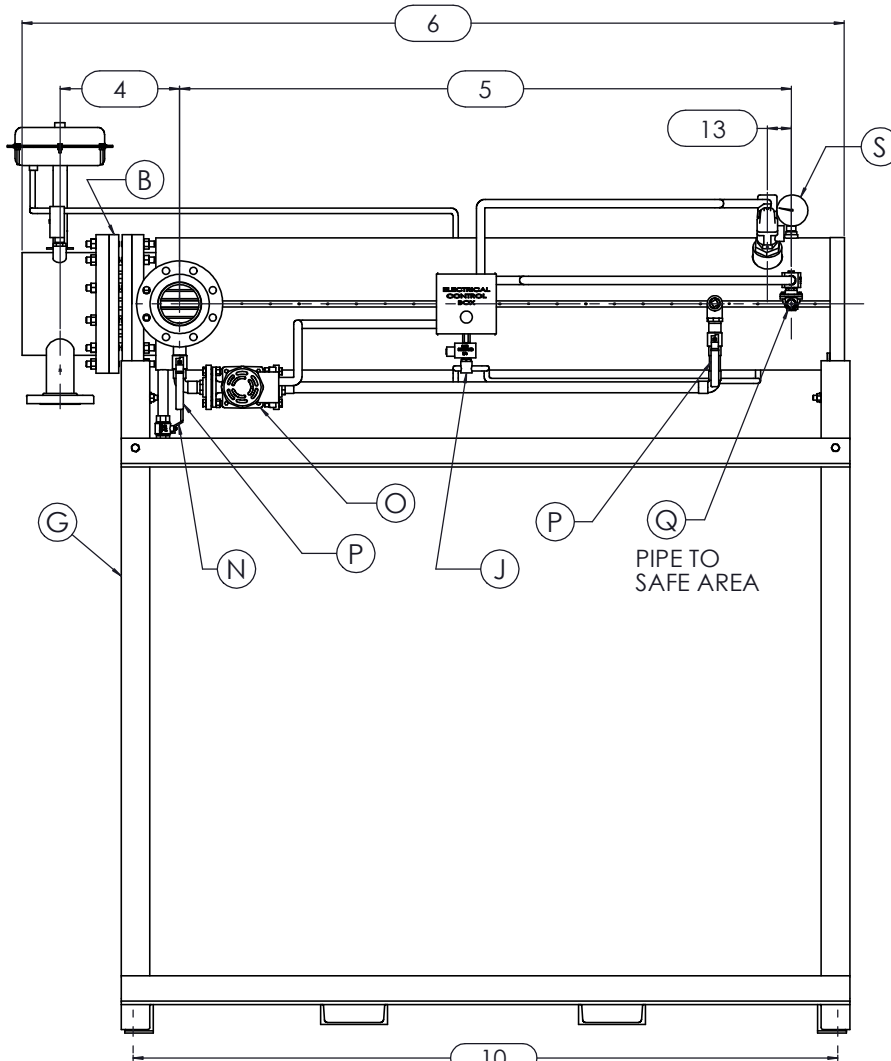
APPROX. EMPTY WT:



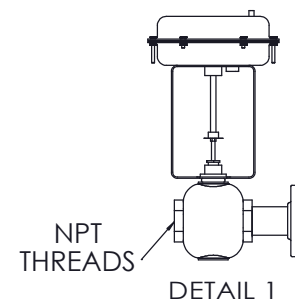
SEE DETAIL 1 & NOTE 5



### LEFT VIEW



### FRONT VIEW



NB ASME U	CERTIFIED BY <b>Ace Heaters, LLC</b> www.aceheatingllc.com
	MAXIMUM ALLOWABLE WORKING PRESSURE SHELL 150 PSI @ 210 °F TUBES 150 PSI @ 370 °F MIN. D.M.T. 0 °F @ 150 PSI S/N _____ YEAR BUILT _____
MODEL _____	
CAPACITY _____ GAL SA. SQFT	
JOB NO. _____ XXX	



ASME SECTION VIII DIV 1: DESIGN PRESSURE : (150) psig TEST PRESSURE : (195) psig MAX DESIGN TEMPERATURE : 370 °F	
NAME	DATE
DRAWN K. JIMENEZ	04/12/2023
CHDL	
APPVD	
SEC	
QA	

MATERIAL :	TITLE : SHDW - COVER
FINISH :	MINIPACK SYSTEM-HORIZONTAL DW
WEIGHT :	WATER - PNEUMATIC OPERATED VALVE PACKAGE-SINGLE UNIT ON DUAL RACK
UNLESS OTHERWISE SPECIFIED DIMENSIONS ARE IN INCHES	DWG NO. SIHDWWA-1-DR
TOLERANCE	REV. 02
DECIMALS .XX ± .05	SCALE : N/A
ANGULAR .XXX ± .010	S/O#
MAX SURF	SHEET : 1 OF 2

THE INFORMATION CONTAINED WITHIN THIS DRAWING IS PROPRIETARY AND THE SOLE PROPERTY OF ACE HEATERS, LLC. ANY REPRODUCTION IN PART OR AS A WHOLE WITHOUT THE WRITTEN PERMISSION OF ACE HEATERS, LLC IS PROHIBITED.

8

7

6

5

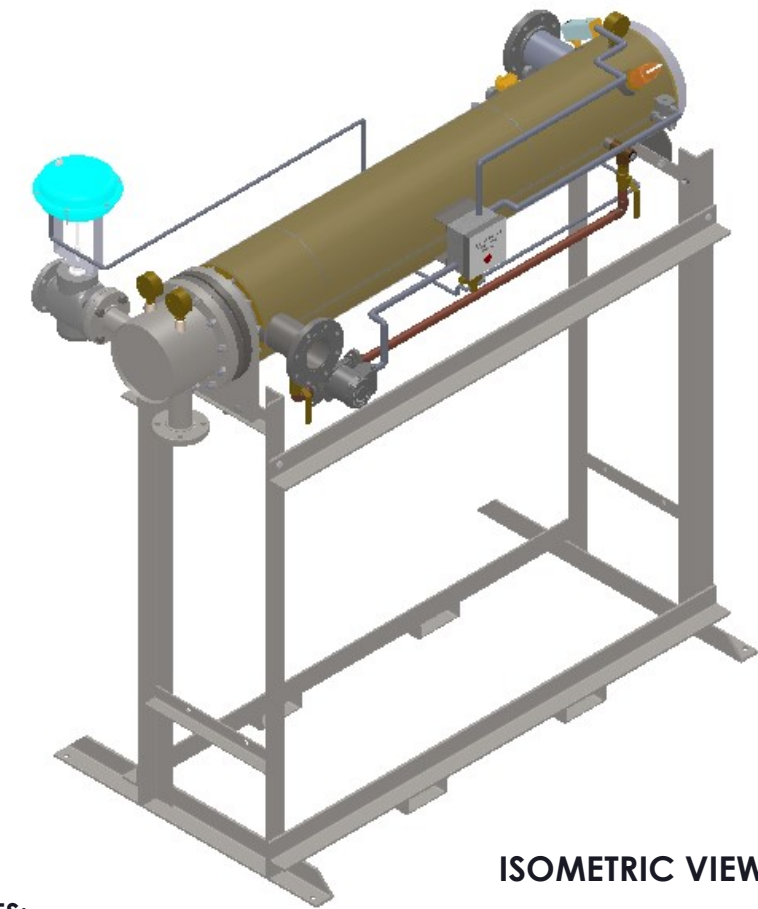
4

3

2

1

		SIHDWWA-1DR - DIM, DW - WATER - PNEUMATIC 2-WAY MIXING VALVE PACKAGE, SINGLE UNIT ON RACK								
		MP SIZE	5	6	8	10	12	14	16	
D	ITEMS	1	10	10 1/2	11 1/2	13 1/2	14 1/2	15 1/2	16 1/2	
	DIMENSION	2	7 11/16	8 3/16	10 1/8	10 13/16	12 1/2	12 1/4	14	
		3	59 15/16	60 7/16	62 3/8	76 1/16	77 3/4	77 1/2	79 1/4	
		4	10 5/8	11 1/4	12 1/8	13 3/8	15 5/8	17 11/16	18 9/16	
		5	61 1/2	62	61 3/4	64	62 1/2	72	75 3/4	
		6	80 3/16	81 5/16	83 9/16	85 9/16	88 7/16	100 7/8	106 1/2	
		7	8 3/4	9 7/8	11 7/8	14 1/2	16 5/8	18 1/2	20	
		8	26 1/2	26 1/2	26 1/2	26 1/2	26 1/2	26 1/2	26 1/2	
		9	15 1/2	15 1/2	15 1/2	15 1/2	15 1/2	15 1/2	15 1/2	
		10	68 1/4	69 3/8	70 3/8	71 7/8	74 5/16	82 15/16	82 15/16	
		11	1 3/8	1 1/2	2 1/16	2 1/2	3 1/16	3 1/8	3 1/4	
	C	12	64	64	64	64	64	75	80	
		13	2 1/2	2 1/2	2 1/2	2 1/2	2 1/2	2 1/2	2 1/2	
INLET PIPE SIZE		2 1/2 FLG.	2 1/2 FLG.	3 FLG.	4 FLG.	4 FLG.	5 FLG.	6 FLG.		
OUTLET PIPE SIZE		2 1/2 FLG.	2 1/2 FLG.	3 FLG.	4 FLG.	4 FLG.	5 FLG.	6 FLG.		
VALVE SIZE 'A'	ITEM	VALVE SIZE AND OVERALL LOCATION								
1/2"	'C'	16 1/16	16 5/16	17 5/16	19 13/16	21 5/16	23 5/16	25 5/16		
	'D'	75 3/4	76 1/4	78 3/16	91 7/8	93 9/16	93 5/16	95 1/16		
3/4"	'C'	17 1/16	17 5/16	18 5/16	20 13/16	22 5/16	24 5/16	26 5/16		
	'D'	75 3/4	76 1/4	78 3/16	91 7/8	93 9/16	93 5/16	95 1/16		
1"	'C'	17 1/16	17 5/16	18 5/16	20 13/16	22 5/16	24 5/16	26 5/16		
	'D'	75 3/4	76 1/4	78 3/16	91 7/8	93 9/16	93 5/16	95 1/16		
1 1/4"	'C'	17 1/16	17 5/16	18 5/16	20 13/16	22 5/16	24 5/16	26 5/16		
	'D'	75 3/4	76 1/4	78 3/16	91 7/8	93 9/16	93 5/16	95 1/16		
1 1/2"	'C'	17 1/16	17 5/16	18 5/16	20 13/16	22 5/16	24 5/16	26 5/16		
	'D'	76 1/2	77	78 15/16	92 5/8	94 5/16	94 1/16	95 13/16		
2"	'C'	18 7/16	18 11/16	19 11/16	22 3/16	23 11/16	25 11/16	27 11/16		
	'D'	78 3/16	78 11/16	80 5/8	94 5/16	96	95 3/4	97 1/2		
2 1/2"	'C'	15 3/4	16	17	19 1/2	21	23	25		
	'D'	78 15/16	79 7/16	81 3/8	95 1/16	96 3/4	96 1/2	98 1/4		
3"	'C'	N/A	17	18	20 1/2	22	24	26		
	'D'	N/A	81 5/16	83 1/4	96 15/16	98 5/8	98 3/8	100 1/8		
4"	'C'	N/A	N/A	21	23 1/2	25	27	29		
	'D'	N/A	N/A	85 1/4	98 15/16	100 5/8	100 3/8	102 1/8		
5"	'C'	N/A	N/A	N/A	26 1/4	27 3/4	29 3/4	31 3/4		
	'D'	N/A	N/A	N/A	98 15/16	100 5/8	100 3/8	102 1/8		



ISOMETRIC VIEW

**NOTES:**

- 1/ DIMENSIONS IN INCHES, AND SUBJECT TO CHANGE WITHOUT NOTICE.
- 2/ DIM 'C', 'D' ARE TO BE APPROXIMATED ONLY, CONSULT FACTORY FOR TIGHT DIMENSIONS.



a nudyne company



**Ace Heaters, LLC**  
www.aceheaters.com

ASME SECTION VIII DIV 1 : DESIGN PRESSURE : (150) psig TEST PRESSURE : (195) psig MAX DESIGN TEMPERATURE : 370 °F		MATERIAL :	TITLE :
DRAWN : K.JIMENEZ DATE : 04/12/2023 CHECK : APPVD : MFG : QA :	WEIGHT : UNLESS OTHERWISE SPECIFIED DIMENSIONS ARE IN INCHES TOLERANCE DECIMALS .XX ± .05 ANGULAR .XXX ± .010 MAX SURF	FINISH : DWG NO. : SIHDWWA-1-DR-DIM REV. : 02	SIHDW - COVER MINIPACK SYSTEM-HORIZONTAL DW WATER - PNEUMATIC OPERATED VALVE PACKAGE-SINGLE UNIT ON DUAL RACK
SCALE : N/A S/O# : SHEET : 2 OF 2			

THE INFORMATION CONTAINED WITHIN THIS DRAWING IS PROPRIETARY AND THE SOLE PROPERTY OF ACE HEATERS, LLC. ANY REPRODUCTION IN PART OR AS A WHOLE WITHOUT THE WRITTEN PERMISSION OF ACE HEATERS, LLC IS PROHIBITED.