

8

7

6

5

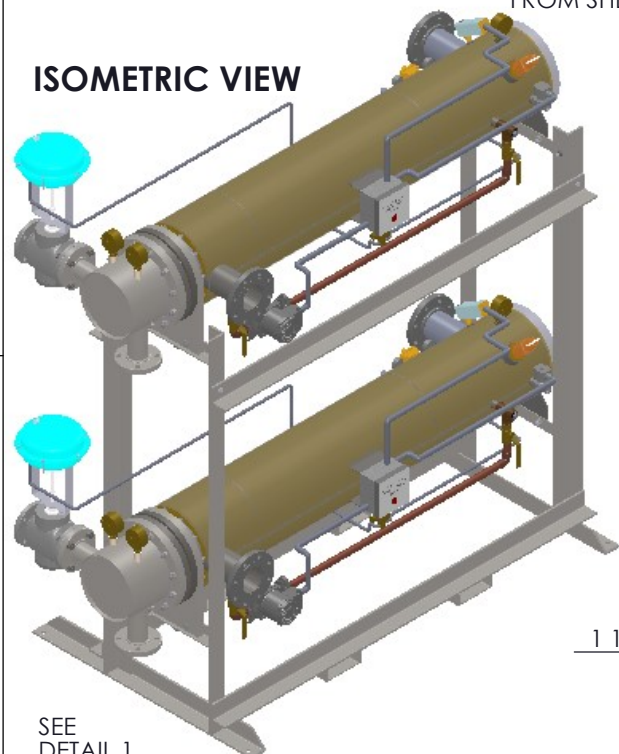
4

3

2

1

ISOMETRIC VIEW



CLEARANCE FOR BUNDLE REMOVAL FROM SHELL FLANGE

12

Ø3/4" BOLT HOLE TYP. 4

SEE DETAIL 2
ASME NAMEPLATE

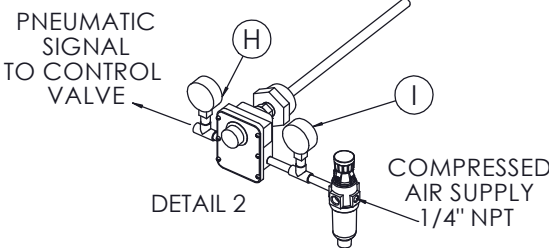
HOT WATER OUTLET

42"

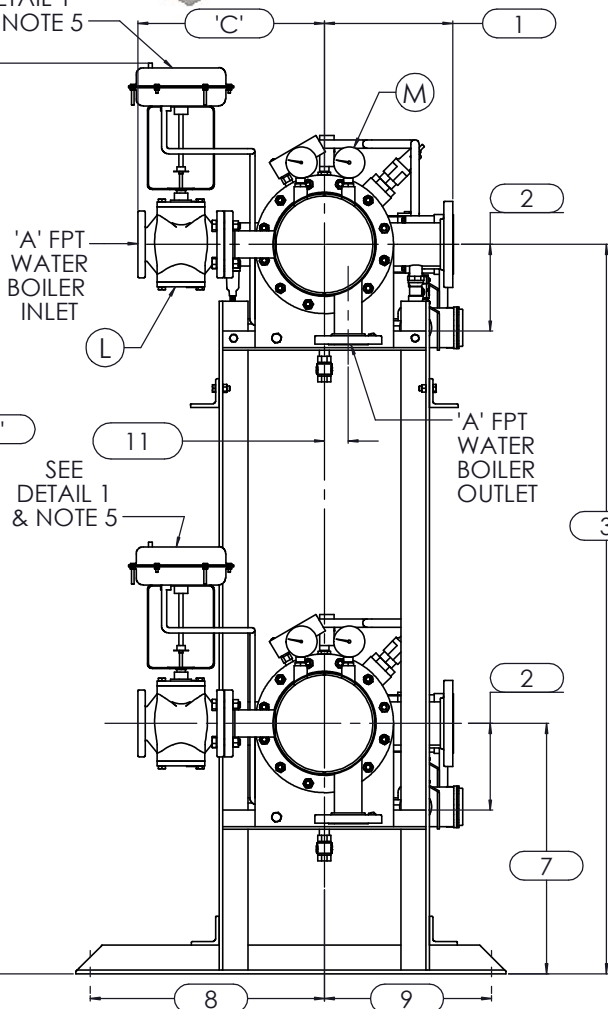
COLD WATER INLET 1" FPT.

PIPE TO SAFE AREA 7/8" TYP.

TOP VIEW



SEE DETAIL 1 & NOTE 5

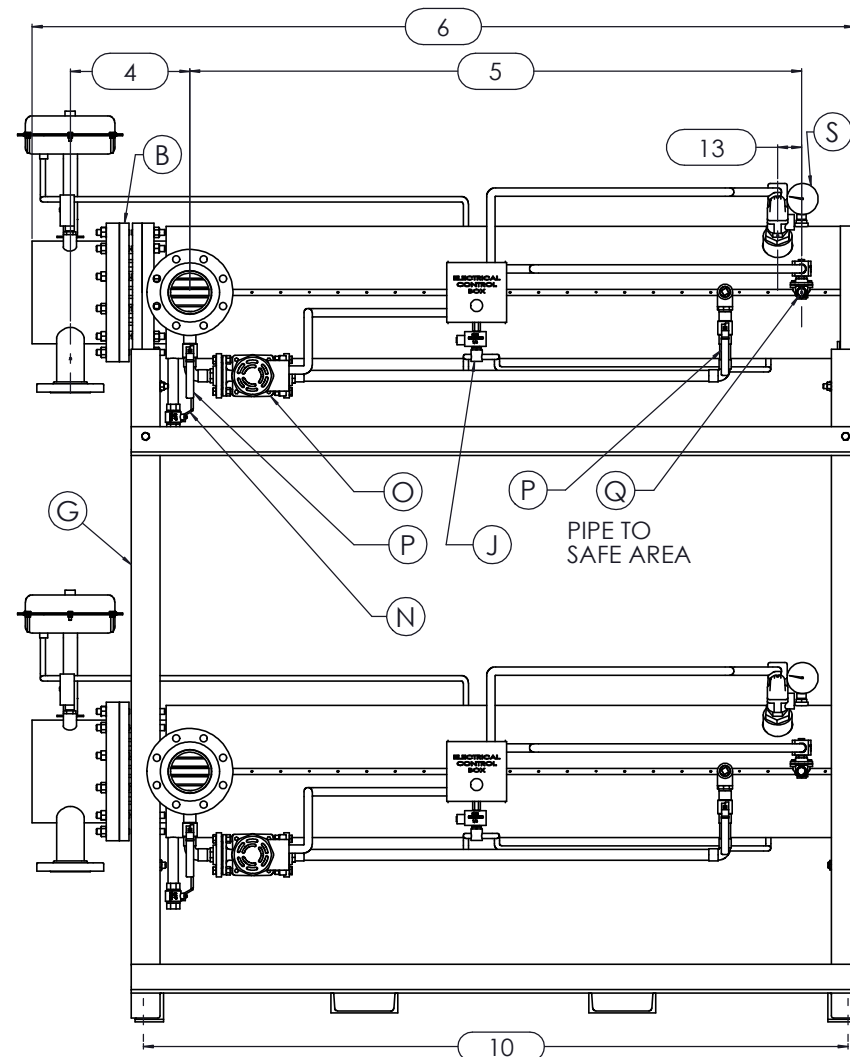


'A' FPT WATER BOILER INLET

'A' FPT WATER BOILER OUTLET

SEE DETAIL 1 & NOTE 5

LEFT VIEW



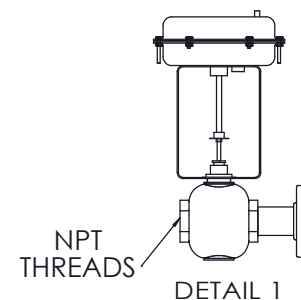
PIPE TO SAFE AREA

FRONT VIEW

NOTES:

- REFER TO PRODUCT SPECIFICATION FOR DESCRIPTION OF LETTERED ITEMS.
- INSTALLATION:** ALL COMPONENTS SHOWN HERE ARE PREWIRED & PREPIPED BY ACE HEATERS, LLC. CUSTOMER WILL ONLY NEED TO PLUMB WATER TO BE HEATED, PIPE STEAM AND CONDENSATE LINES, AND BRING ELECTRICITY TO UNIT.
- DIMENSIONS ARE SUBJECT TO CHANGE. CONSULT FACTORY FOR TIGHT DIMENSIONS.
- THIS CONFIGURATION CHANGES FOR VALVE SIZE 1/2" TO 2". SEE DETAIL 1 FOR REFERENCE.

APPROX. EMPTY WT:



	CERTIFIED BY Ace Heaters, LLC www.aceheatingllc.com	
	MAXIMUM ALLOWABLE WORKING PRESSURE SHELL 150 PSI @ 210 °F TUBES 150 PSI @ 370 °F MIN. D.M.T. 0 °F @ 150 PSI S/N _____ YEAR BUILT _____	
MODEL _____		
CAPACITY _____ GAL SA. SQFT		
JOB NO. _____ XXX		



ASME SECTION VIII DIV 1 : DESIGN PRESSURE : (150) psig TEST PRESSURE : (195) psig MAX DESIGN TEMPERATURE : 370 °F	
NAME K. JIMENEZ	DATE 04/12/2023
DRAWN CBLD APPVD MFC QA	WEIGHT : UNLESS OTHERWISE SPECIFIED DIMENSIONS ARE IN INCHES TOLERANCE DECIMALS .XX ± .05 ANGULAR .XXX ± .010 MAX SURF

Ace Heaters, LLC
www.aceheaters.com

TITLE : SIHDW - COVER
MINIPACK SYSTEM-HORIZONTAL DW
WATER - PNEUMATIC OPERATED VALVE
PACKAGE-DUAL UNIT ON DUAL RACK

DWG NO. SIHDWWA-2-DR REV. 02

SCALE : N/A S/O# SHEET : 1 OF 2

THE INFORMATION CONTAINED WITHIN THIS DRAWING IS PROPRIETARY AND THE SOLE PROPERTY OF ACE HEATERS, LLC. ANY REPRODUCTION IN PART OR AS A WHOLE WITHOUT THE WRITTEN PERMISSION OF ACE HEATERS, LLC IS PROHIBITED.

8

7

6

5

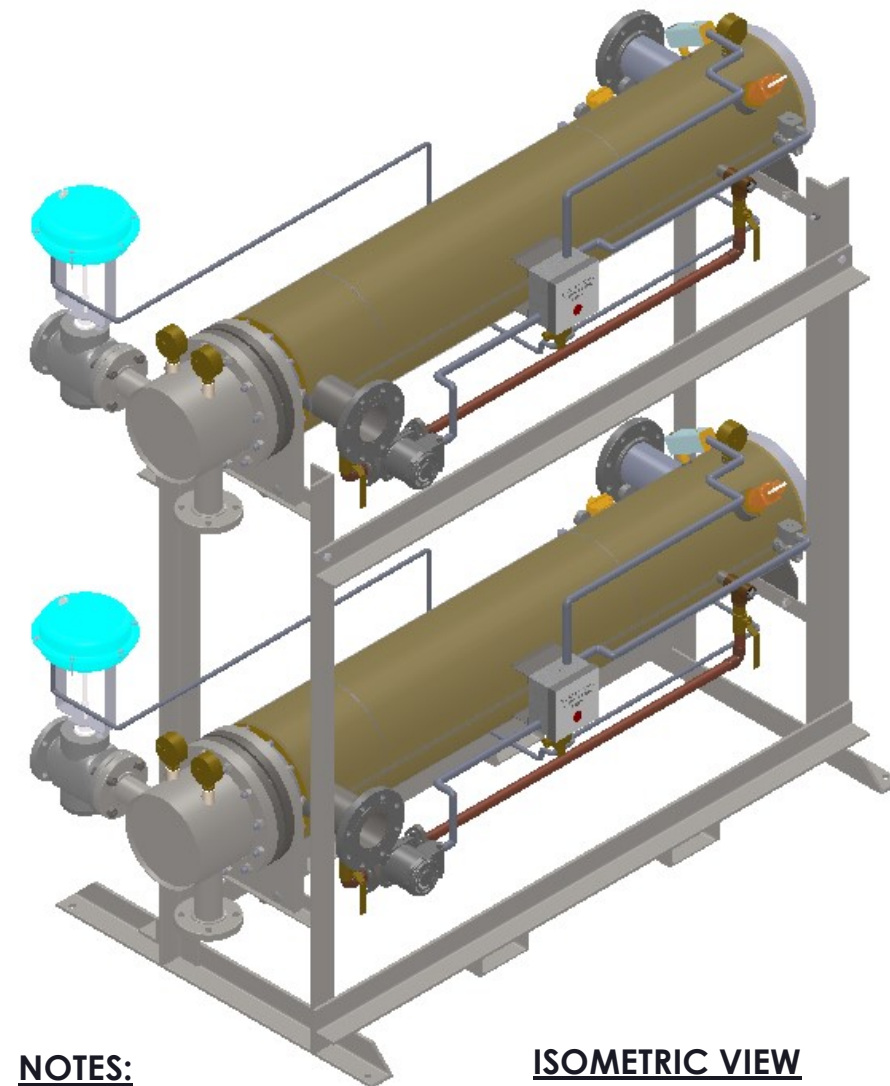
4

3

2

1

		SIHDWWA-2DR - DIM, DW - WATER - PNEUMATIC 2-WAY MIXING VALVE PACKAGE, DUAL UNIT ON RACK								
		MP SIZE	5	6	8	10	12	14	16	
D	ITEMS	1	10	10 1/2	11 1/2	13 1/2	14 1/2	15 1/2	16 1/2	
	DIMENSION	2	7 11/16	8 3/16	10 1/8	10 13/16	12 1/2	12 1/4	14	
		3	59 15/16	60 7/16	62 3/8	76 1/16	77 3/4	77 1/2	79 1/4	
		4	10 5/8	11 1/4	12 1/8	13 3/8	15 5/8	17 11/16	18 9/16	
		5	61 1/2	62	61 3/4	64	62 1/2	72	75 3/4	
		6	80 3/16	81 5/16	83 9/16	85 9/16	88 7/16	100 7/8	106 1/2	
		7	22 15/16	23 7/16	25 3/8	26 3/16	27 7/8	27 5/8	29 3/8	
		8	26 1/2	26 1/2	26 1/2	26 1/2	26 1/2	26 1/2	26 1/2	
		9	15 1/2	15 1/2	15 1/2	15 1/2	15 1/2	15 1/2	15 1/2	
		10	68 1/4	69 3/8	70 3/8	71 7/8	74 5/16	82 15/16	82 15/16	
		11	1 3/8	1 1/2	2 1/16	2 1/2	3 1/16	3 1/8	3 1/4	
		12	64	64	64	64	64	75	80	
		13	2 1/2	2 1/2	2 1/2	2 1/2	2 1/2	2 1/2	2 1/2	
INLET PIPE SIZE		2 1/2 FLG.	2 1/2 FLG.	3 FLG.	4 FLG.	4 FLG.	5 FLG.	6 FLG.		
OUTLET PIPE SIZE		2 1/2 FLG.	2 1/2 FLG.	3 FLG.	4 FLG.	4 FLG.	5 FLG.	6 FLG.		
VALVE SIZE 'A'	ITEM	VALVE SIZE AND OVERALL LOCATION								
1/2"	'C'	16 1/16	16 5/16	17 5/16	19 13/16	21 5/16	23 5/16	25 5/16		
	'D'	75 3/4	76 1/4	78 3/16	91 7/8	93 9/16	93 5/16	95 1/16		
3/4"	'C'	17 1/16	17 5/16	18 5/16	20 13/16	22 5/16	24 5/16	26 5/16		
	'D'	75 3/4	76 1/4	78 3/16	91 7/8	93 9/16	93 5/16	95 1/16		
1"	'C'	17 1/16	17 5/16	18 5/16	20 13/16	22 5/16	24 5/16	26 5/16		
	'D'	75 3/4	76 1/4	78 3/16	91 7/8	93 9/16	93 5/16	95 1/16		
1 1/4"	'C'	17 1/16	17 5/16	18 5/16	20 13/16	22 5/16	24 5/16	26 5/16		
	'D'	75 3/4	76 1/4	78 3/16	91 7/8	93 9/16	93 5/16	95 1/16		
1 1/2"	'C'	17 1/16	17 5/16	18 5/16	20 13/16	22 5/16	24 5/16	26 5/16		
	'D'	76 1/2	77	78 15/16	92 5/8	94 5/16	94 1/16	95 13/16		
2"	'C'	18 7/16	18 11/16	19 11/16	22 3/16	23 11/16	25 11/16	27 11/16		
	'D'	78 3/16	78 11/16	80 5/8	94 5/16	96	95 3/4	97 1/2		
2 1/2"	'C'	15 3/4	16	17	19 1/2	21	23	25		
	'D'	78 15/16	79 7/16	81 3/8	95 1/16	96 3/4	96 1/2	98 1/4		
3"	'C'	N/A	17	18	20 1/2	22	24	26		
	'D'	N/A	81 5/16	83 1/4	96 15/16	98 5/8	98 3/8	100 1/8		
4"	'C'	N/A	N/A	21	23 1/2	25	27	29		
	'D'	N/A	N/A	85 1/4	98 15/16	100 5/8	100 3/8	102 1/8		
5"	'C'	N/A	N/A	N/A	26 1/4	27 3/4	29 3/4	31 3/4		
	'D'	N/A	N/A	N/A	98 15/16	100 5/8	100 3/8	102 1/8		



NOTES: **ISOMETRIC VIEW**

1/ DIMENSIONS IN INCHES, AND SUBJECT TO CHANGE WITHOUT NOTICE.
 2/ DIM 'C', 'D' ARE TO BE APPROXIMATED ONLY, CONSULT FACTORY FOR TIGHT DIMENSIONS.



ASME SECTION VIII DIV 1 : DESIGN PRESSURE : (150) psig TEST PRESSURE : (195) psig MAX DESIGN TEMPERATURE : 370 °F		MATERIAL : FINISH : WEIGHT :		TITLE : SIHDW - COVER MINIPACK SYSTEM-HORIZONTAL DW WATER - PNEUMATIC OPERATED VALVE PACKAGE-DUAL UNIT ON DUAL RACK	
DRAWN : K.JIMENEZ CHECKED : APP'D : MFG : QA :	NAME : DATE : 04/12/2023	UNLESS OTHERWISE SPECIFIED DIMENSIONS ARE IN INCHES TOLERANCE DECIMALS .XX ± .05 ANGULAR ± .5 .XXX ± .010 MAX SURF		DWG NO. : SIHDWWA-2-DR-DIM REV. : 02	SCALE : N/A S/O# : SHEET : 2 OF 2

THE INFORMATION CONTAINED WITHIN THIS DRAWING IS PROPRIETARY AND THE SOLE PROPERTY OF ACE HEATERS, LLC. ANY REPRODUCTION IN PART OR AS A WHOLE WITHOUT THE WRITTEN PERMISSION OF ACE HEATERS, LLC IS PROHIBITED.