

8

7

6

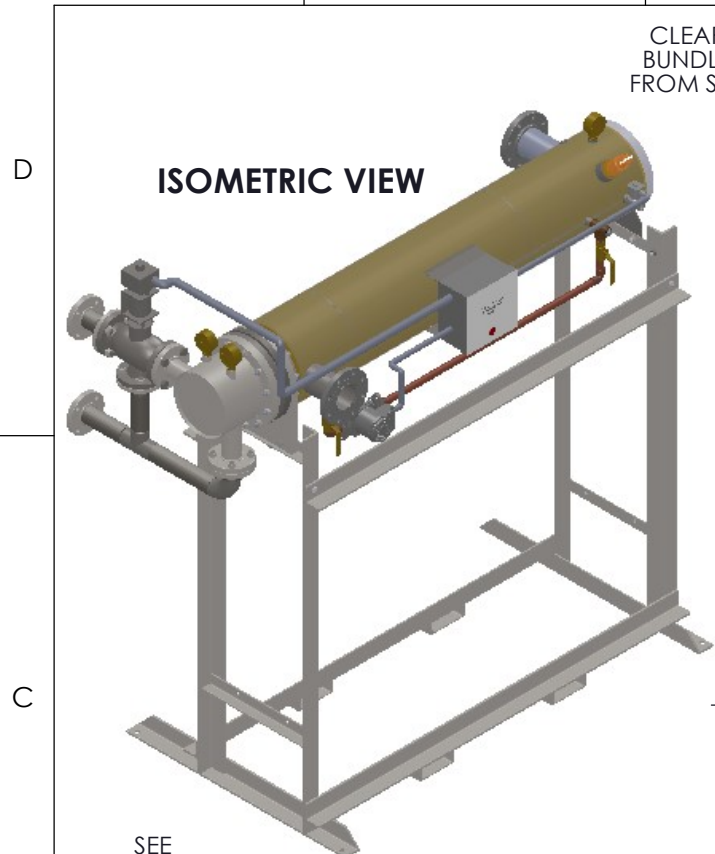
5

4

3

2

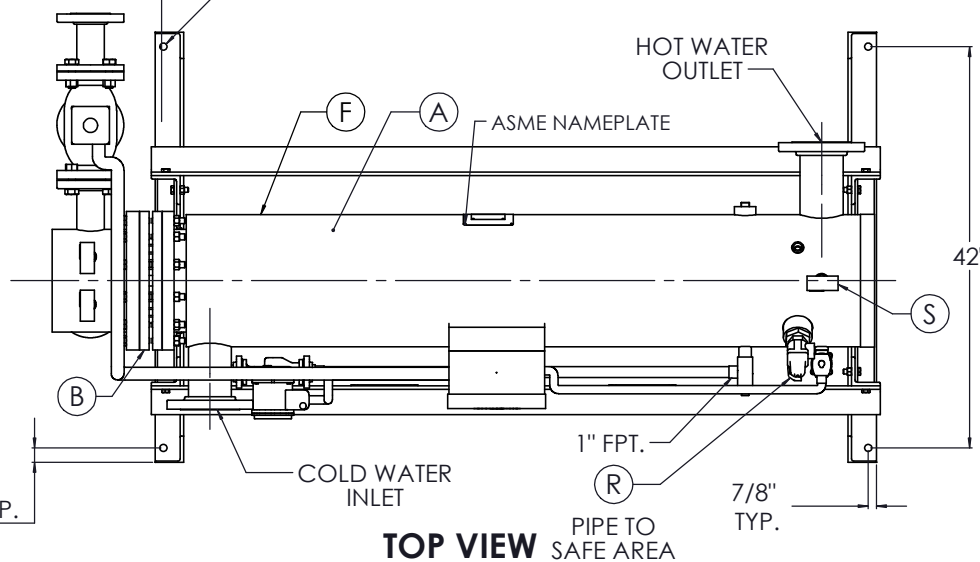
1



CLEARANCE FOR BUNDLE REMOVAL FROM SHELL FLANGE

12

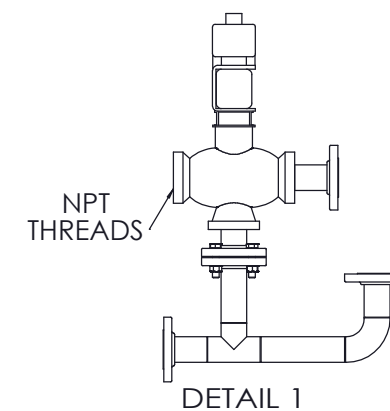
Ø3/4" BOLT HOLE TYP. 4



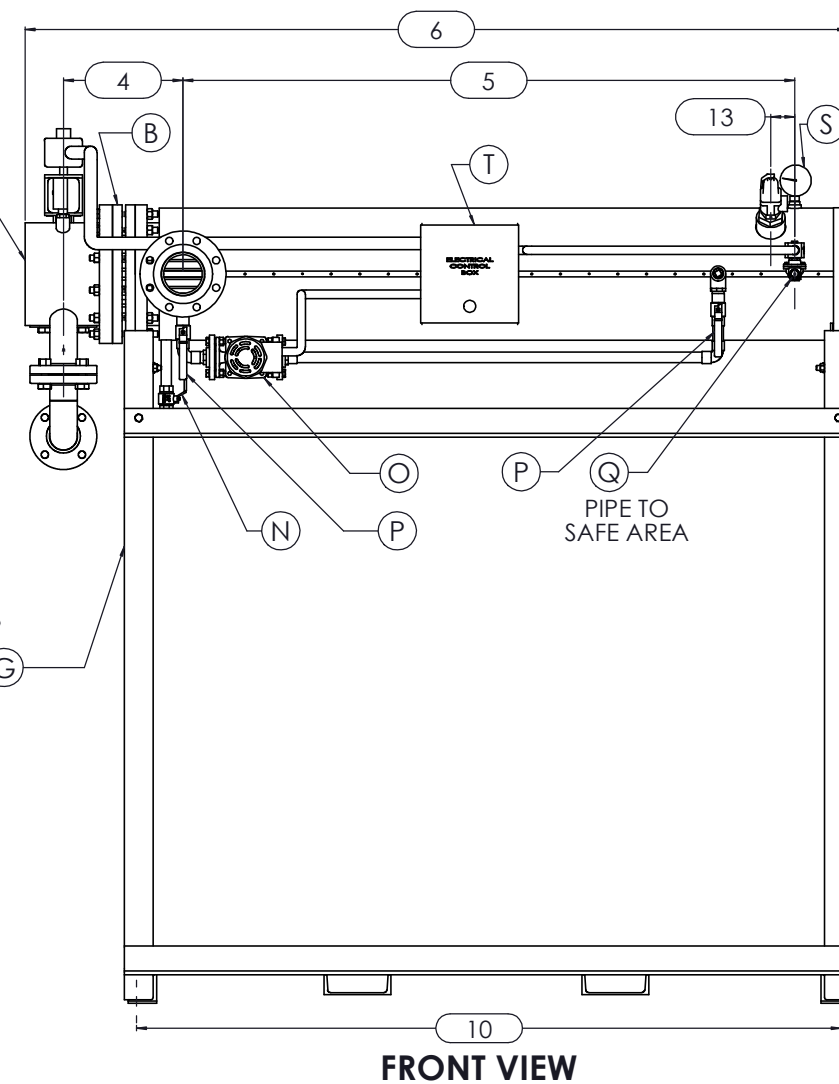
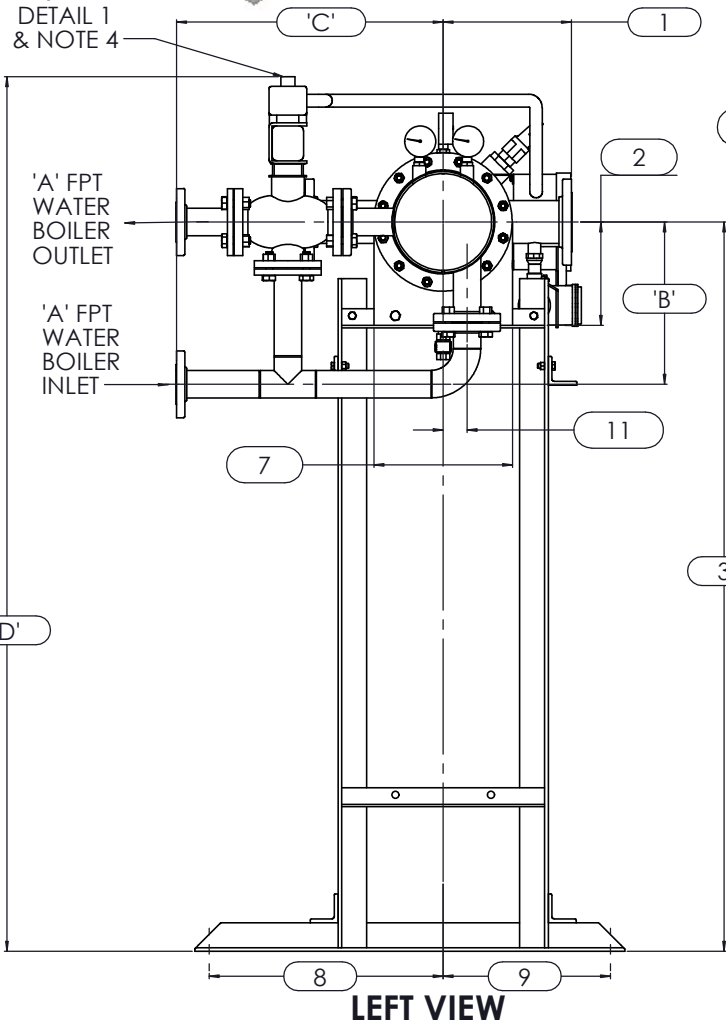
NOTES:

1. REFER TO PRODUCT SPECIFICATION FOR DESCRIPTION OF LETTERED ITEMS.
2. **INSTALLATION:** ALL COMPONENTS SHOWN HERE ARE PREWIRED & PREPIPED BY ACE HEATERS, LLC. CUSTOMER WILL ONLY NEED TO PLUMB WATER TO BE HEATED, PIPE STEAM AND CONDENSATE LINES, AND BRING ELECTRICITY TO UNIT.
3. DIMENSIONS ARE SUBJECT TO CHANGE. CONSULT FACTORY FOR TIGHT DIMENSIONS.
4. THIS CONFIGURATION CHANGES FOR VALVE SIZE 1/2" TO 2". SEE DETAIL 1 FOR REFERENCE.

APPROX. EMPTY WT:



SEE DETAIL 1 & NOTE 4



NB ASME U	CERTIFIED BY Ace Heaters, LLC www.aceheatingllc.com
	MAXIMUM ALLOWABLE WORKING PRESSURE SHELL 150 PSI @ 210 °F TUBES 150 PSI @ 370 °F MIN. D.M.T. 0 °F @ 150 PSI S/N _____ YEAR BUILT _____
	MODEL _____ CAPACITY _____ GAL SA. SQFT JOB NO. _____ XXX



ASME SECTION VIII DIV 1: DESIGN PRESSURE : (150) psig TEST PRESSURE : (195) psig MAX DESIGN TEMPERATURE : 370 °F	
NAME	DATE
DRAWN K.JIMENEZ	04/12/2023
CHKD	
APPVD	
DECIMALS	ANGULAR
XX ± .05	± .5
.XXX ± .010	MAX SURF

MATERIAL :	TITLE : SIHDW - COVER
FINISH :	MINIPACK SYSTEM-HORIZONTAL DW
WEIGHT :	3W WATER- SIEMENS ELEC. VALVE PACKAGE-SINGLE UNIT ON DUAL RACK
UNLESS OTHERWISE SPECIFIED DIMENSIONS ARE IN INCHES	DWG NO. SIHDWWE-1-DR-3W-SIE
SCALE : N/A	REV. 02
S/O #	SHEET : 1 OF 2

THE INFORMATION CONTAINED WITHIN THIS DRAWING IS PROPRIETARY AND THE SOLE PROPERTY OF ACE HEATERS, LLC. ANY REPRODUCTION IN PART OR AS A WHOLE WITHOUT THE WRITTEN PERMISSION OF ACE HEATERS, LLC IS PROHIBITED.

8

7

6

5

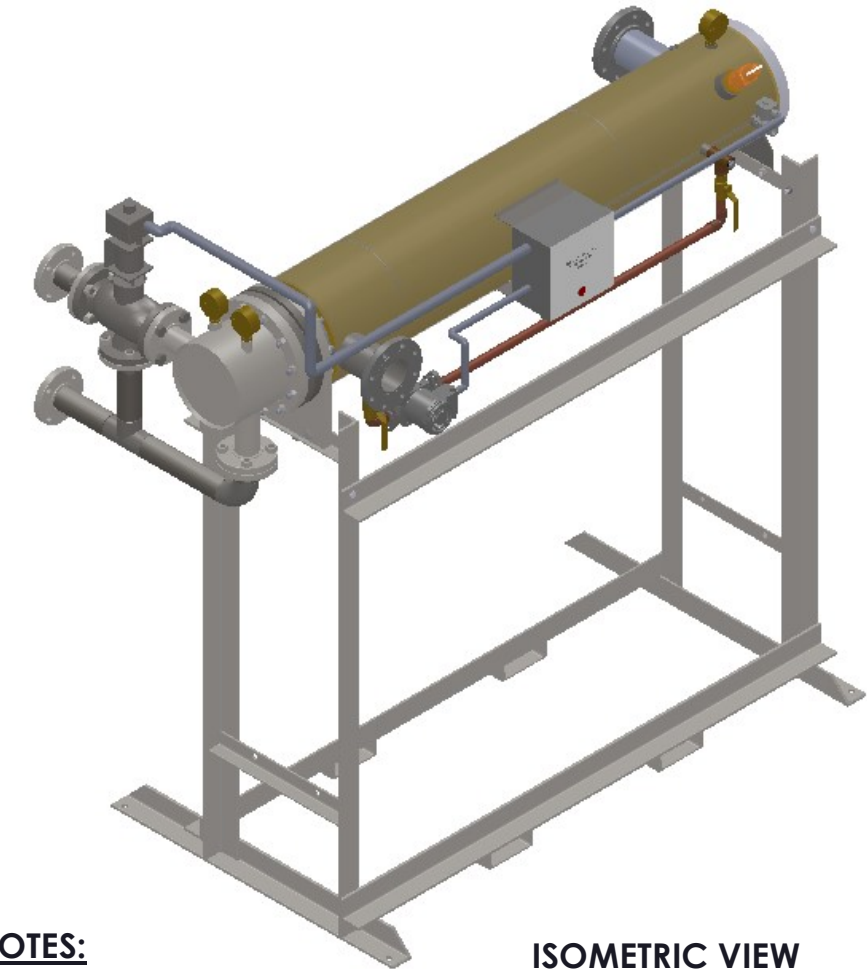
4

3

2


1

		8	7	6	5	4	3	2	1
SIHDWWE-1-DR-3W-SIE, DW - WATER - SIEMENS ELECTRIC 3-WAY MIXING VALVE PACKAGE - SINGLE UNIT ON RACK									
	MP SIZE	5	6	8	10	12	14	16	
DIMENSION	ITEMS	1	10	10 1/2	11 1/2	13 1/2	14 1/2	15 1/2	16 1/2
		2	7 11/16	8 3/16	10 1/8	10 13/16	12 1/2	12 1/4	14
		3	59 15/16	60 7/16	62 3/8	76 1/16	77 3/4	77 1/2	79 1/4
		4	10 5/8	11 1/4	12 1/8	13 3/8	15 5/8	17 11/16	18 9/16
		5	61 1/2	62	61 3/4	64	62 1/2	72	75 3/4
		6	80 3/16	81 5/16	83 9/16	85 9/16	88 7/16	100 7/8	106 1/2
		7	8 3/4	9 7/8	11 7/8	14 1/2	16 5/8	18 1/2	20
		8	26 1/2	26 1/2	26 1/2	26 1/2	26 1/2	26 1/2	26 1/2
		9	15 1/2	15 1/2	15 1/2	15 1/2	15 1/2	15 1/2	15 1/2
		10	68 1/4	69 3/8	70 3/8	71 7/8	74 5/16	82 15/16	82 15/16
		11	1 3/8	1 1/2	2 1/16	2 1/2	3 1/16	3 1/8	3 1/4
		12	64	64	64	64	64	75	80
		13	2 1/2	2 1/2	2 1/2	2 1/2	2 1/2	2 1/2	2 1/2
	INLET PIPE SIZE	2 1/2 FLG.	2 1/2 FLG.	3 FLG.	4 FLG.	4 FLG.	5 FLG.	6 FLG.	
	OUTLET PIPE SIZE	2 1/2 FLG.	2 1/2 FLG.	3 FLG.	4 FLG.	4 FLG.	5 FLG.	6 FLG.	
	VALVE SIZE 'A'	ITEM	VALVE SIZE AND OVERALL LOCATION						
1/2"	'B'	57 15/16	58 7/16	60 3/8	74 1/16	75 3/4	75 1/2	77 1/4	
	'C'	12 1/16	12 5/16	13 5/16	15 13/16	17 5/16	19 5/16	21 5/16	
	'D'	69 3/8	69 7/8	71 13/16	85 1/2	87 3/16	86 15/16	88 11/16	
3/4"	'B'	57 11/16	58 3/16	60 1/8	73 13/16	75 1/2	75 1/4	77	
	'C'	12 11/16	12 15/16	13 15/16	16 7/16	17 15/16	19 15/16	21 15/16	
	'D'	70 3/16	70 11/16	72 5/8	86 5/16	88	87 3/4	89 1/2	
1"	'B'	57 11/16	58 3/16	60 1/8	73 13/16	75 1/2	75 1/4	77	
	'C'	13 1/4	13 1/2	14 1/2	17	18 1/2	20 1/2	22 1/2	
	'D'	70 9/16	71 1/16	73	86 11/16	88 3/8	88 1/8	89 7/8	
1 1/4"	'B'	57 7/16	57 15/16	59 7/8	73 9/16	75 1/4	75	76 3/4	
	'C'	13 7/8	14 1/8	15 1/8	17 5/8	19 1/8	21 1/8	23 1/8	
	'D'	71 3/16	71 11/16	73 5/8	87 5/16	89	88 3/4	90 1/2	
1 1/2"	'B'	56 15/16	57 7/16	59 3/8	73 1/16	74 3/4	74 1/2	76 1/4	
	'C'	14 7/16	14 11/16	15 11/16	18 3/16	19 11/16	21 11/16	23 11/16	
	'D'	72 9/16	73 1/16	75	88 11/16	90 3/8	90 1/8	91 7/8	
2"	'B'	55 15/16	56 7/16	58 3/8	72 1/16	73 3/4	73 1/2	75 1/4	
	'C'	15 5/8	15 7/8	16 7/8	19 3/8	20 7/8	22 7/8	24 7/8	
	'D'	73 5/16	73 13/16	75 3/4	89 7/16	91 1/8	90 7/8	92 5/8	
2 1/2"	'B'	55 15/16	56 7/16	58 3/8	72 1/16	73 3/4	73 1/2	75 1/4	
	'C'	18 3/16	18 7/16	19 7/16	21 15/16	23 7/16	25 7/16	27 7/16	
	'D'	75 1/8	75 5/8	77 9/16	91 1/4	92 15/16	92 11/16	94 7/16	
3"	'B'	N/A	56 3/16	58 1/8	71 13/16	73 1/2	73 1/4	75	
	'C'	N/A	19 1/4	20 1/4	22 3/4	24 1/4	26 1/4	28 1/4	
	'D'	N/A	80 11/16	82 5/8	96 5/16	98	97 3/4	99 1/2	
4"	'B'	N/A	N/A	57 3/8	71 1/16	72 3/4	72 1/2	74 1/4	
	'C'	N/A	N/A	21 3/4	24 1/4	25 3/4	27 3/4	29 3/4	
	'D'	N/A	N/A	85 3/16	98 7/8	100 9/16	100 5/16	102 1/16	
5"	'B'	N/A	N/A	N/A	70 1/16	71 3/4	71 1/2	73 1/4	
	'C'	N/A	N/A	N/A	24 1/2	26	28	30	
	'D'	N/A	N/A	N/A	98 7/8	100 9/16	100 5/16	102 1/16	



NOTES:
 1/ DIMENSIONS IN INCHES, AND SUBJECT TO CHANGE WITHOUT NOTICE.
 2/ DIM 'B', 'C', 'D' ARE TO BE APPROXIMATED ONLY, CONSULT FACTORY FOR TIGHT DIMENSIONS.



 MADE IN USA		Ace Heaters, LLC www.aceheaters.com	
MATERIAL:		TITLE: SIHDW - COVER	
FINISH:		MINIPACK SYSTEM-HORIZONTAL DW	
WEIGHT:		3W WATER- SIEMENS ELEC. VALVE PACKAGE-SINGLE UNIT ON DUAL RACK	
UNLESS OTHERWISE SPECIFIED DIMENSIONS ARE IN INCHES		DWG NO. SIHDWWE-1-DR-3W-SIE-DIM	
TOLERANCE		REV. 02	
DECIMALS .XX ± .05		SCALE: N/A	
ANGULAR .XXX ± .010		S/O#	
MAX SURF		SHEET: 2 OF 2	

THE INFORMATION CONTAINED WITHIN THIS DRAWING IS PROPRIETARY AND THE SOLE PROPERTY OF ACE HEATERS, LLC. ANY REPRODUCTION IN PART OR AS A WHOLE WITHOUT THE WRITTEN PERMISSION OF ACE HEATERS, LLC IS PROHIBITED.