

8

7

6

5

4

3

2

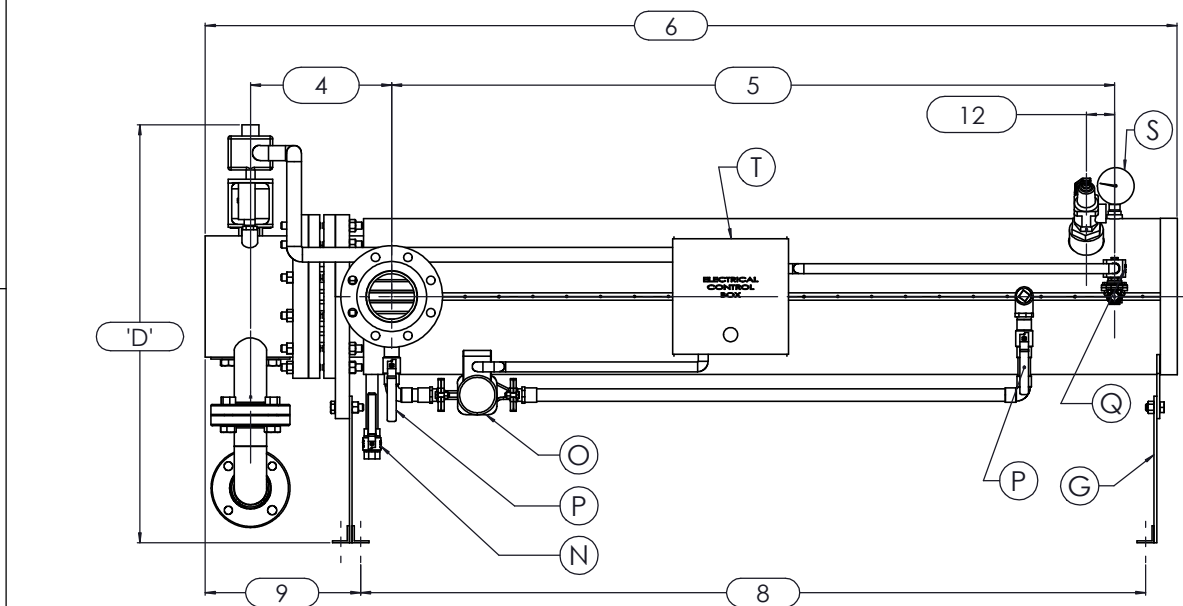
1

D

C

B

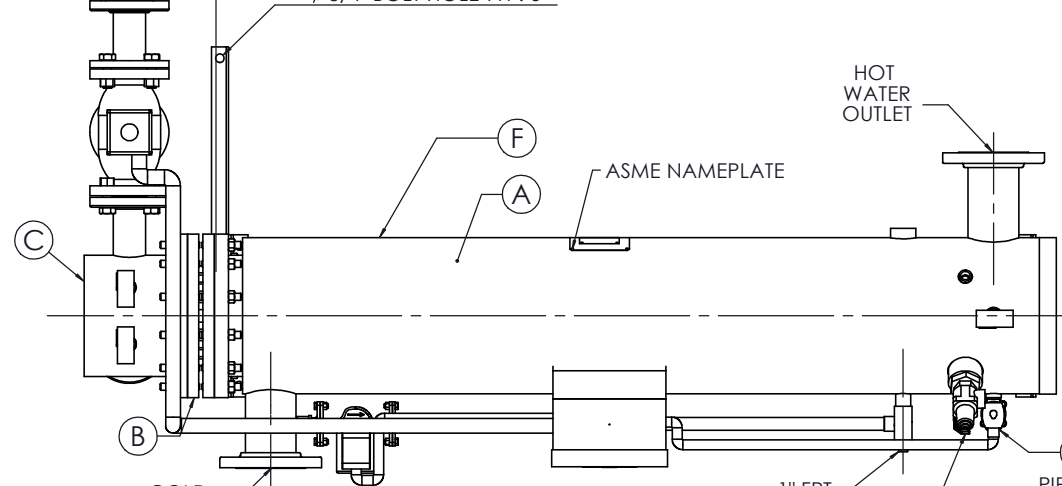
A



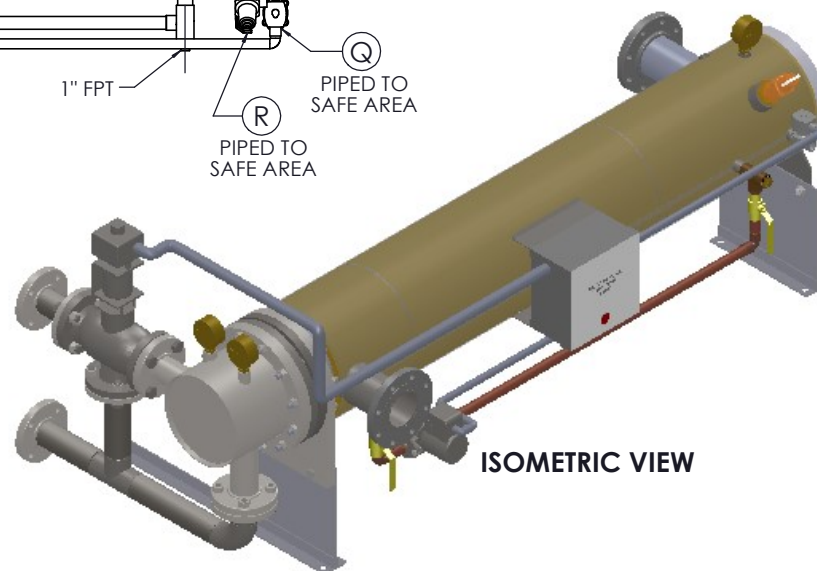
FRONT VIEW

CLEARANCE FOR BUNDLE REMOVAL FROM SHELL FLANGE

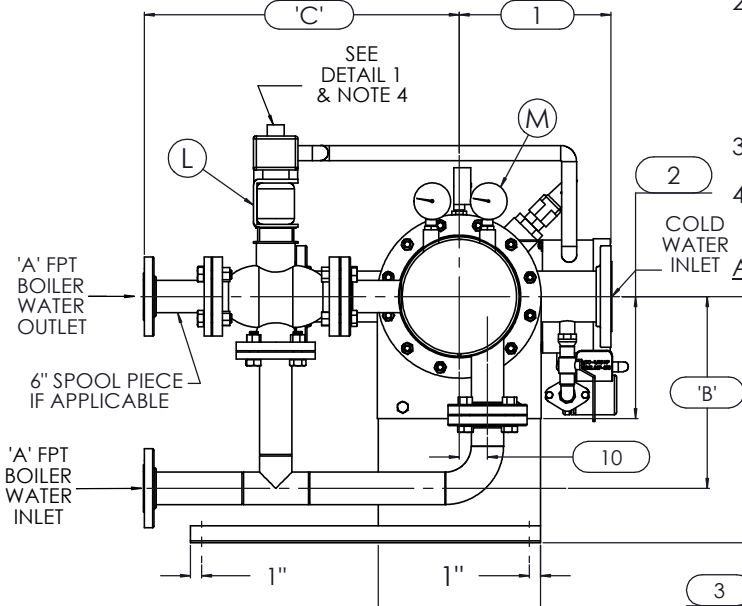
Ø3/4" BOLT HOLE TYP. 6



TOP VIEW



ISOMETRIC VIEW

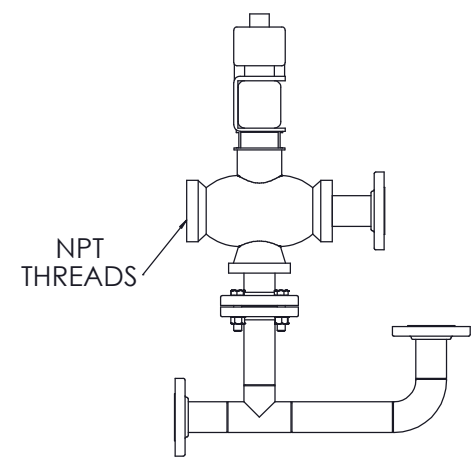


LEFT VIEW

NOTES:

1. REFER TO PRODUCT SPECIFICATION FOR DESCRIPTION OF LETTERED ITEMS.
2. **INSTALLATION:**  
ALL COMPONENTS SHOWN HERE ARE PREWIRED & PREPIPED BY ACE HEATERS, LLC. CUSTOMER WILL ONLY NEED TO PLUMB WATER TO BE HEATED, PIPE STEAM AND CONDENSATE LINES, AND BRING ELECTRICITY TO UNIT.
3. DIMENSIONS ARE SUBJECT TO CHANGE. CONSULT FACTORY FOR TIGHT DIMENSIONS.
4. THIS CONFIGURATION CHANGES FOR VALVE SIZE 1/2" TO 2". SEE DETAIL 1 FOR REFERENCE.

APPROX. EMPTY WT:



DETAIL 1



	CERTIFIED BY <b>Ace Heaters, LLC</b> www.aceheatingllc.com
	MAXIMUM ALLOWABLE WORKING PRESSURE
	SHELL 150 PSI @ 210 °F TUBES 150 PSI @ 370 °F
	MIN. D.M.T. 0 °F @ 150 PSI S/N _____ YEAR BUILT _____
	MODEL _____ CAPACITY _____ GAL SA. SQFT JOB NO. _____ XXX



ASME SECTION VIII DIV 1: DESIGN PRESSURE : (150) psig TEST PRESSURE : (195) psig MAX DESIGN TEMPERATURE : 370 °F	
NAME	DATE
DRAWN K.JIMENEZ	04/12/2023
CREED	
APP'D	
ENG	
QA	

<b>Ace Heaters, LLC</b> www.aceheaters.com	
MATERIAL :	TITLE : SIHDW - COVER
FINISH :	MINIPACK SYSTEM-HORIZONTAL DW 3W WATER- SIEMENS ELECT. OPERATED VALVE PACKAGE
WEIGHT :	DWG NO. SIHDWWE-3W-SIE
UNLESS OTHERWISE SPECIFIED DIMENSIONS ARE IN INCHES	REV. 02
DECIMALS .XX ± .05	SCALE : N/A
ANGULAR .XXX ± .010	S/O #
MAX SURF	SHEET : 1 OF 2

THE INFORMATION CONTAINED WITHIN THIS DRAWING IS PROPRIETARY AND THE SOLE PROPERTY OF ACE HEATERS, LLC. ANY REPRODUCTION IN PART OR AS A WHOLE WITHOUT THE WRITTEN PERMISSION OF ACE HEATERS, LLC IS PROHIBITED.

8

7

6

5

4

3

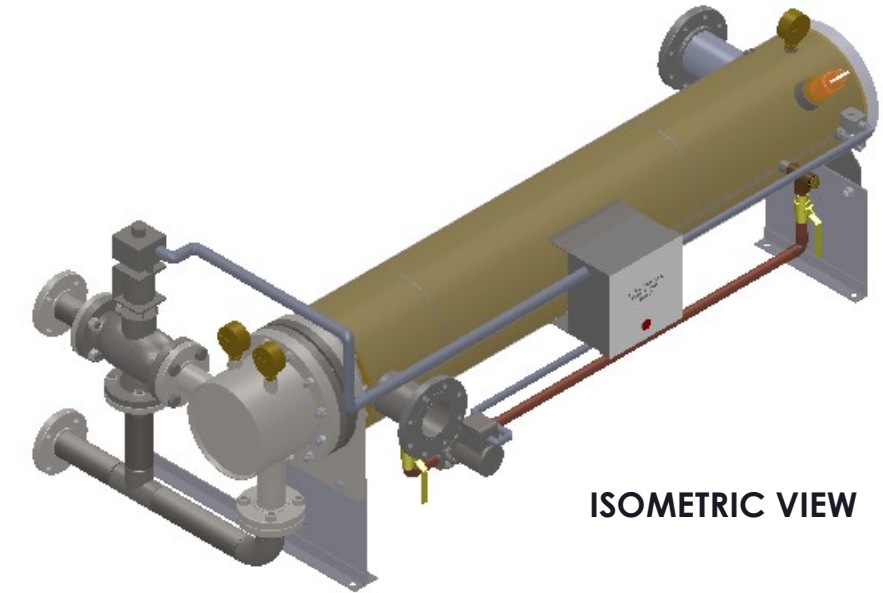
2

1

SIHDWWE-3W-SIE, DW - WATER - SIEMENS ELECTRIC 3-WAY MIXING VALVE PACKAGE

	MP SIZE	5	6	8	10	12	14	16
DIMENSION	ITEMS	10	10 1/2	11 1/2	13 1/2	14 1/2	15 1/2	16 1/2
	2	7 11/16	8 3/16	10 1/8	10 13/16	12 1/2	12 1/4	14
	3	14 7/8	15 3/8	18 5/16	22	26 7/8	26 5/8	28 3/8
	4	10 5/8	11 1/4	12 1/8	13 3/8	15 5/8	17 11/16	18 9/16
	5	61 1/2	62	61 3/4	64	62 1/2	72	75 3/4
	6	80 3/16	81 5/16	83 9/16	85 9/16	88 7/16	100 7/8	106 1/2
	7	8 3/4	9 7/8	11 7/8	14 1/2	16 5/8	18 1/2	20
	8	65 7/8	66 7/8	68	69 1/2	70 11/16	80 5/16	83 7/16
	9	11 3/4	11 3/4	12 5/8	13 3/8	14 3/16	18	19 1/2
	10	1 3/8	1 1/2	2 1/16	2 1/2	3 1/16	3 1/8	3 1/4
	11	64	64	64	64	64	75	80
	12	2 1/2	2 1/2	2 1/2	2 1/2	2 1/2	2 1/2	2 1/2
INLET PIPE SIZE		2 1/2 FLG.	2 1/2 FLG.	3 FLG.	4 FLG.	4 FLG.	5 FLG.	6 FLG.
OUTLET PIPE SIZE		2 1/2 FLG.	2 1/2 FLG.	3 FLG.	4 FLG.	4 FLG.	5 FLG.	6 FLG.

VALVE SIZE 'A'	ITEM	VALVE SIZE AND OVERALL LOCATION						
1/2"	'B'	12 7/8	13 3/8	16 1/3	20	24 7/8	24 5/8	26 3/8
	'C'	12 1/16	12 5/16	13 5/16	15 13/16	17 5/16	19 5/16	21 5/16
	'D'	24 5/16	24 13/16	27 3/4	31 7/16	36 5/16	36 1/16	37 13/16
3/4"	'B'	12 5/8	13 1/8	16	19 3/4	24 5/8	24 3/8	26 1/8
	'C'	12 11/16	12 15/16	13 15/16	16 7/16	17 15/16	19 15/16	21 15/16
	'D'	25 1/8	25 5/8	28 9/16	32 1/4	37 1/8	36 7/8	38 5/8
1"	'B'	12 5/8	13 1/8	16 1/16	19 3/4	24 5/8	24 3/8	26 1/8
	'C'	13 1/4	13 1/2	14 1/2	17	18 1/2	20 1/2	22 1/2
	'D'	25 1/2	26	28 15/16	32 5/8	37 1/2	37 1/4	39
1 1/4"	'B'	12 3/8	12 7/8	15 4/5	19 1/2	24 3/8	24 1/8	25 7/8
	'C'	13 7/8	14 1/8	15 1/8	17 5/8	19 1/8	21 1/8	23 1/8
	'D'	26 1/8	26 5/8	29 9/16	33 1/4	38 1/8	37 7/8	39 5/8
1 1/2"	'B'	11 7/8	12 3/8	15 5/16	19	23 7/8	23 5/8	25 3/8
	'C'	14 7/16	14 11/16	15 11/16	18 3/16	19 11/16	21 11/16	23 11/16
	'D'	27 1/2	28	30 15/16	34 5/8	39 1/2	39 1/4	41
2"	'B'	10 7/8	11 3/8	14 5/16	18	22 7/8	22 5/8	24 3/8
	'C'	15 5/8	15 7/8	16 7/8	19 3/8	20 7/8	22 7/8	24 7/8
	'D'	28 1/4	28 3/4	31 11/16	35 3/8	40 1/4	40	41 3/4
2 1/2"	'B'	10 7/8	11 3/8	14 5/16	18	22 7/8	22 5/8	24 3/8
	'C'	18 3/16	18 7/16	19 7/16	21 15/16	23 7/16	25 7/16	27 7/16
	'D'	30 1/16	30 9/16	33 1/2	37 3/16	42 1/16	41 13/16	43 9/16
3"	'B'		11 1/8	14 1/16	17 3/4	22 5/8	22 3/8	24 1/8
	'C'	N/A	19 1/4	20 1/4	22 3/4	24 1/4	26 1/4	28 1/4
	'D'		35 5/8	38 9/16	42 1/4	47 1/8	46 7/8	48 5/8
4"	'B'			13 5/16	17	21 7/8	21 5/8	23 3/8
	'C'	N/A	N/A	21 3/4	24 1/4	25 3/4	27 3/4	29 3/4
	'D'			41 1/8	44 13/16	49 11/16	49 7/16	51 3/16
5"	'B'				16	20 7/8	20 5/8	22 3/8
	'C'	N/A	N/A	N/A	24 1/2	26	28	30
	'D'				44 13/16	49 11/16	49 7/16	51 3/16



ISOMETRIC VIEW

- NOTES:**
- 1/ DIMENSIONS IN INCHES, AND SUBJECT TO CHANGE WITHOUT NOTICE.
  - 2/ DIM 'B', 'C', 'D' ARE TO BE APPROXIMATED ONLY, CONSULT FACTORY FOR TIGHT DIMENSIONS.



ASME SECTION VIII DIV 1 : DESIGN PRESSURE : (150) psig TEST PRESSURE : (195) psig MAX DESIGN TEMPERATURE : 370 °F		
NAME	DATE	
DRAWN	K.JIMENEZ 04/12/2023	
CHKD		
APPVD		
SEC		
QA		

<b>Ace Heaters, LLC</b> <small>www.aceheaters.com</small>		<b>TITLE :</b> SIHDW - COVER MINIPACK SYSTEM-HORIZONTAL DW 3W WATER- SIEMENS ELECT. OPERATED VALVE PACKAGE
<b>MATERIAL :</b>  <b>FINISH :</b>  <b>WEIGHT :</b>	<b>DWG NO.</b> SIHDWWE-3W-SIE-DIM <b>REV.</b> 02	UNLESS OTHERWISE SPECIFIED DIMENSIONS ARE IN INCHES TOLERANCE DECIMALS .XX ± .05 .XXX ± .010 ANGULAR ± .5 MAX SURF
SCALE : N/A		S/O # SHEET : 2 OF 2

THE INFORMATION CONTAINED WITHIN THIS DRAWING IS PROPRIETARY AND THE SOLE PROPERTY OF ACE HEATERS, LLC. ANY REPRODUCTION IN PART OR AS A WHOLE WITHOUT THE WRITTEN PERMISSION OF ACE HEATERS, LLC IS PROHIBITED.