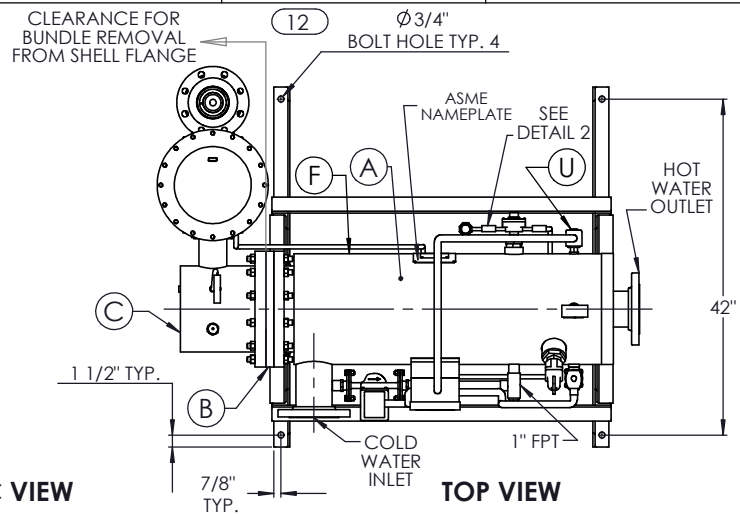
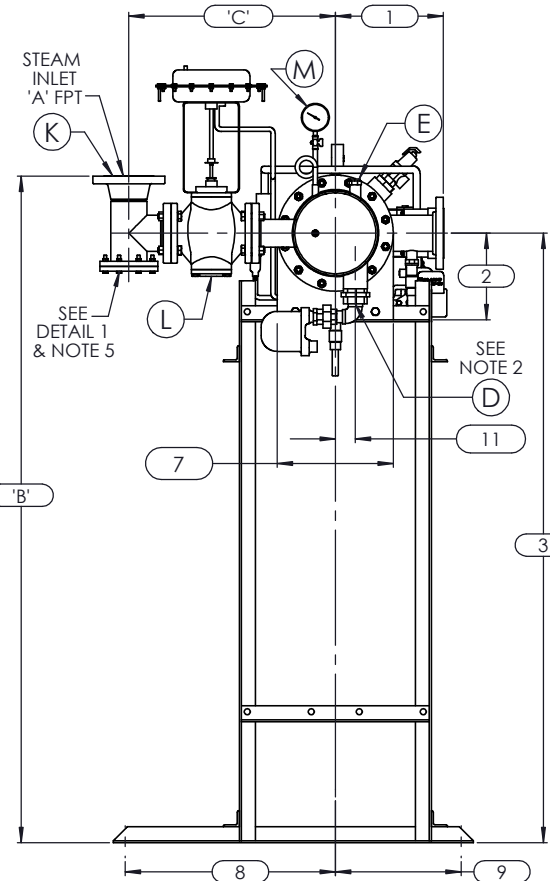


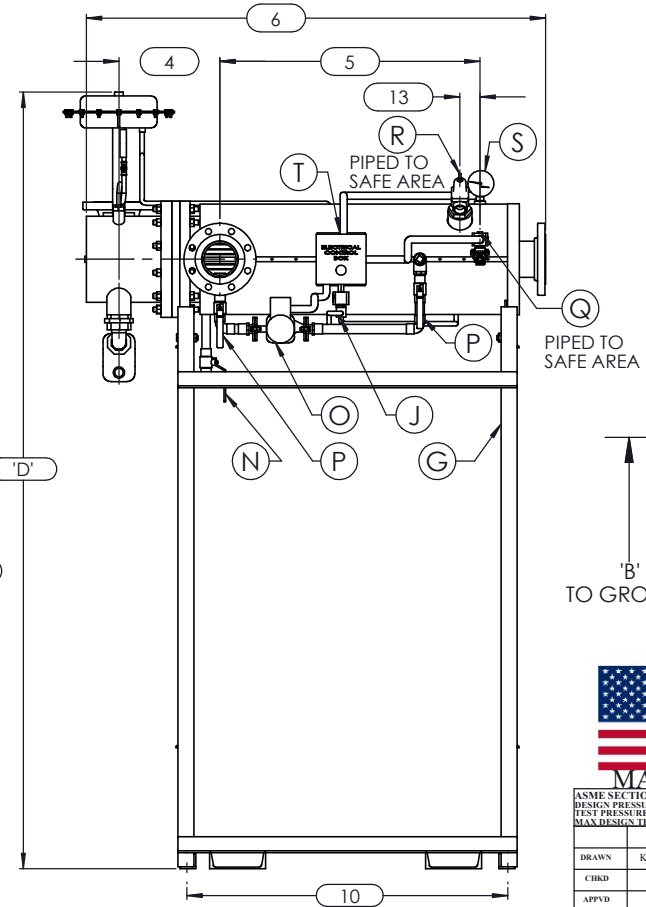
ISOMETRIC VIEW



TOP VIEW



LEFT VIEW

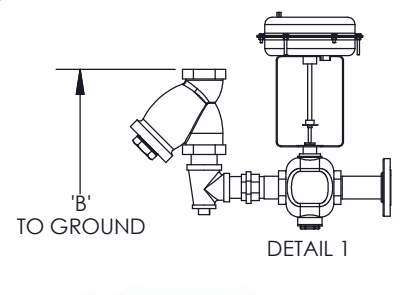
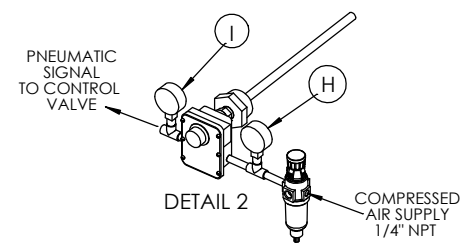


FRONT VIEW

NOTES:

1. REFER TO PRODUCT SPECIFICATION FOR DESCRIPTION OF LETTERED ITEMS.
2. **CONDENSATE:**
CONDENSATE IS TO BE PIPED FROM HEATER WITHOUT LIFTS TO A VENTED RECEIVER OR DRAIN BELOW THE ELEVATION OF THE HEATER'S CONDENSATE OUTLET.
3. **INSTALLATION:**
ALL COMPONENTS SHOWN HERE ARE PREWIRED & PREPIPED BY ACE HEATERS, LLC. CUSTOMER WILL ONLY NEED TO PLUMB WATER TO BE HEATED, PIPE STEAM AND CONDENSATE LINES, AND BRING ELECTRICITY TO UNIT.
4. DIMENSIONS ARE SUBJECT TO CHANGE. CONSULT FACTORY FOR TIGHT DIMENSIONS.
5. THIS CONFIGURATION CHANGES FOR VALVE SIZE 1/2" TO 2". SEE DETAIL 1 FOR REFERENCE.

APPROX. EMPTY WT:



	CERTIFIED BY	Ace Heaters, LLC www.aceheatingllc.com
	MAXIMUM ALLOWABLE WORKING PRESSURE	SHELL 150 PSI @ 210 °F TUBES 150 PSI @ 370 °F
	MIN. D.M.T.	0 °F @ 150 PSI
	S/N	YEAR BUILT
	MODEL	
	CAPACITY	GAL SA. SQFT
	JOB NO.	XXX



ASME SECTION VIII DIV 1: DESIGN PRESSURE - (150) psig TEST PRESSURE - (195) psig MAX DESIGN TEMPERATURE - 370 °F	
NAME	DATE
DRAWN	K. JIMENEZ 04/12/2023
CHKD	
APPVD	
MFG	
QA	

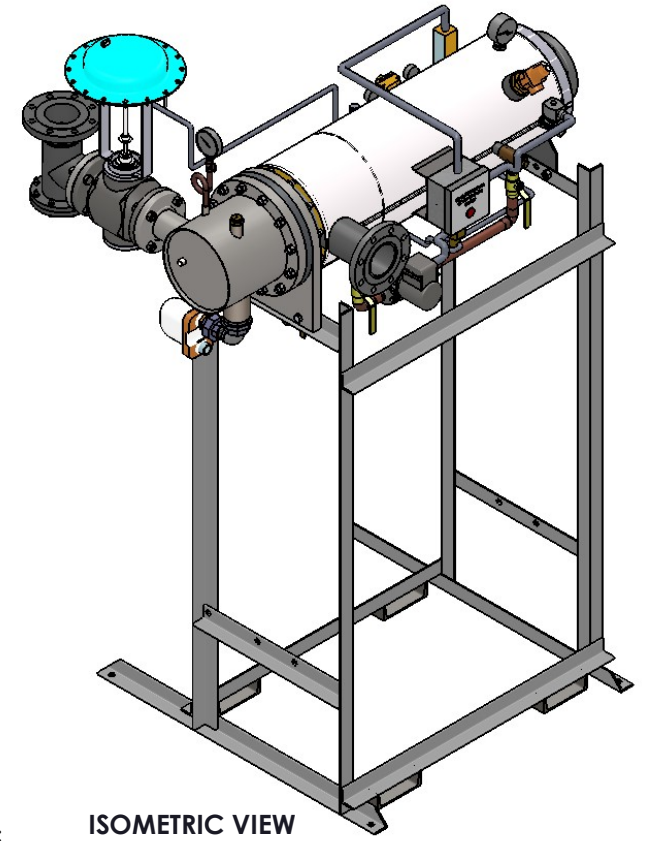
Ace Heaters, LLC www.aceheaters.com	
MATERIAL:	TITLE: SIHSW-COVER MINIPACK SYSTEM-HORIZONTAL-SW STEAM-PNEUMATIC OPERATED VALVE PACKAGE- SINGLE UNIT ON DUAL RACK
FINISH:	
WEIGHT:	
UNLESS OTHERWISE SPECIFIED DIMENSIONS ARE IN INCHES TOLERANCE	
DECIMALS .XX ± .05	ANGULAR ± 5° MAX SURF
DWG NO. SIHSWSA-1-DR	REV. 02
SCALE: N/A	S/O#
SHEET: 1 OF 2	

THE INFORMATION CONTAINED WITHIN THIS DRAWING IS PROPRIETARY AND THE SOLE PROPERTY OF ACE HEATERS, LLC. ANY REPRODUCTION IN PART OR AS A WHOLE WITHOUT THE WRITTEN PERMISSION OF ACE HEATERS, LLC IS PROHIBITED.

SIHSWSA-1-DR, SW - STEAM - PNEUMATIC VALVE PACKAGE SIZE AND LOCATION: SINGLE UNIT ON RACK

MP SIZE	4	5	6	8	8L	10	10L	12	12L	14	14L	16	16L	
ITEMS	1	9 1/2	11 1/2	12	11 9/16	11 9/16	13 7/16	13 7/16	14 7/16	14 7/16	15 3/4	15 3/4	17 5/8	17 5/8
	2	6 5/16	7 11/16	8 3/16	10 1/8	10 1/8	10 13/16	10 13/16	12 1/2	12 1/2	12 1/4	12 1/4	14	14
	3	58 9/16	59 15/16	60 7/16	62 3/8	62 3/8	76 1/16	76 1/16	77 3/4	77 3/4	77 1/2	77 1/2	79 1/4	79 1/4
	4	9 5/8	9 5/8	10 1/8	10 7/8	10 7/8	12 1/2	11 13/16	15 3/4	15 3/4	16 1/8	16 3/8	17 7/8	17 7/8
	5	36	30	36 3/4	31 3/4	37 3/4	32 1/2	38 1/2	33 1/4	45 1/4	40 1/2	55 3/4	50 1/2	65 3/4
	6	56	49	57 3/8	53 7/8	59 7/8	57	63	63 15/16	75 15/16	73 1/16	88 5/16	88 1/16	102
	7	7 5/8	8 3/4	9 7/8	11 7/8	11 7/8	14 1/2	14 1/2	16 5/8	16 5/8	18 1/2	18 1/2	20	20
	8	26 1/2	26 1/2	26 1/2	26 1/2	26 1/2	26 1/2	26 1/2	26 1/2	26 1/2	26 1/2	26 1/2	26 1/2	26 1/2
	9	15 1/2	15 1/2	15 1/2	15 1/2	15 1/2	15 1/2	15 1/2	15 1/2	15 1/2	15 1/2	15 1/2	15 1/2	15 1/2
	10	42 3/4	35 3/4	44 1/8	39 1/8	44 7/8	39 3/4	45 3/4	42	54 1/4	49 3/4	65	62 1/4	76 1/4
	11	1	1 3/8	1 1/2	2 1/16	2 1/16	2 1/2	2 1/2	3 1/16	3 1/16	3 1/8	3 1/8	3 1/4	3 1/4
	12	37	31	38	33	39	34	40	35	47	42	57	53	67
	13	2 1/2	2 1/2	2 1/2	2 1/2	2 1/2	2 1/2	2 1/2	2 1/2	2 1/2	2 1/2	2 1/2	2 1/2	2 1/2
INLET PIPE SIZE		2 THR.	2 1/2	2 1/2	3 FLG.	3 FLG.	4 FLG.	4 FLG.	4 FLG.	4 FLG.	5 FLG.	5 FLG.	6 FLG.	6 FLG.
OUTLET PIPE SIZE		2 THR.	2 1/2	2 1/2	3 FLG.	3 FLG.	4 FLG.	4 FLG.	4 FLG.	4 FLG.	5 FLG.	5 FLG.	6 FLG.	6 FLG.

VALVE SIZE	ITEM	VALVE SIZE AND OVERALL LOCATION												
1/2"	'A'													
	'B'	3/4												
	'C'	63 3/4	63 7/8	64 3/8	66 5/16	66 5/16	80	80	81 11/16	81 11/16	81 7/16	81 7/16	83 3/16	83 3/16
	'D'	19 13/16	20 5/16	20 9/16	21 9/16	21 9/16	24 1/16	24 1/16	25 9/16	25 9/16	27 9/16	27 9/16	29 9/16	29 9/16
3/4"	'A'													
	'B'	1 1/4												
	'C'	64 13/16	66 3/16	66 11/16	68 5/8	68 5/8	82 5/16	82 5/16	84	84	83 3/4	83 3/4	85 1/2	85 1/2
	'D'	20 13/16	21 5/16	21 9/16	22 9/16	22 9/16	25 1/16	25 1/16	26 9/16	26 9/16	28 9/16	28 9/16	30 9/16	30 9/16
1"	'A'													
	'B'	1 1/2												
	'C'	65 1/4	66 5/8	67 1/8	69 1/16	69 1/16	82 3/4	82 3/4	84 7/16	84 7/16	84 3/8	84 3/8	85 15/16	85 15/16
	'D'	21 5/8	22 1/8	22 3/8	23 3/8	23 3/8	25 7/8	25 7/8	27 3/8	27 3/8	29 3/8	29 3/8	31 3/8	31 3/8
1 1/4"	'A'													
	'B'	1 1/2												
	'C'	66 1/4	67 5/8	68 1/8	70 1/16	70 1/16	83 3/4	83 3/4	85 7/16	85 7/16	85 3/16	85 3/16	86 15/16	86 15/16
	'D'	20 15/16	21 7/16	21 11/16	22 11/16	22 11/16	25 3/16	25 3/16	26 11/16	26 11/16	28 11/16	28 11/16	30 11/16	30 11/16
1 1/2"	'A'													
	'B'	2												
	'C'	67 13/16	69 3/16	69 11/16	71 5/8	71 5/8	85 5/16	85 5/16	87	87	86 3/4	86 3/4	88 1/2	88 1/2
	'D'	21 9/16	22 1/16	22 5/16	23 5/16	23 5/16	25 13/16	25 13/16	27 5/16	27 5/16	29 5/16	29 5/16	31 5/16	31 5/16
2"	'A'													
	'B'	2 1/2												
	'C'	69 13/16	71 3/16	71 11/16	73 5/8	73 5/8	87 5/16	87 5/16	89	89	88 3/4	88 3/4	90 1/2	90 1/2
	'D'	23 3/4	24 1/4	24 1/2	25 1/2	25 1/2	28	28	29 1/2	29 1/2	31 1/2	31 1/2	33 1/2	33 1/2
2 1/2"	'A'													
	'B'	3												
	'C'	N/A	66 1/16	66 9/16	68 1/2	68 1/2	82 3/16	82 3/16	83 7/8	83 7/8	83 5/8	83 5/8	85 3/8	85 3/8
	'D'	N/A	20 1/4	20 1/2	21 1/2	21 1/2	24	24	25 1/2	25 1/2	27 1/2	27 1/2	29 1/2	29 1/2
3"	'A'													
	'B'	4												
	'C'	N/A	N/A	67 5/8	69 9/16	69 9/16	83 1/4	83 1/4	84 15/16	84 15/16	84 11/16	84 11/16	86 7/16	86 7/16
	'D'	N/A	N/A	22 5/16	23 5/16	23 5/16	25 13/16	25 13/16	27 5/16	27 5/16	29 5/16	29 5/16	31 5/16	31 5/16
4"	'A'													
	'B'	6												
	'C'	N/A	N/A	N/A	71 1/2	71 1/2	85 3/16	85 3/16	86 7/8	86 7/8	86 5/8	86 5/8	88 3/8	88 3/8
	'D'	N/A	N/A	N/A	27 3/16	27 3/16	29 11/16	29 11/16	31 3/16	31 3/16	33 3/16	33 3/16	35 3/16	35 3/16
5"	'A'													
	'B'	6												
	'C'	N/A	N/A	N/A	N/A	N/A	85 3/16	85 3/16	86 7/8	86 7/8	86 5/8	86 5/8	88 3/8	88 3/8
	'D'	N/A	N/A	N/A	N/A	N/A	33 5/16	33 5/16	34 13/16	34 13/16	36 13/16	36 13/16	38 13/16	38 13/16



ISOMETRIC VIEW

- NOTES:**
- 1/ DIMENSIONS IN INCHES, AND SUBJECT TO CHANGE WITHOUT NOTICE.
 - 2/ DIM 'B', 'C', 'D' ARE TO BE APPROXIMATED ONLY, CONSULT FACTORY FOR TIGHT DIMENSIONS.



a nudyne company



Ace Heaters, LLC
www.aceheaters.com

MATERIAL:	SIHSW-COVER	TITLE:	SIHSW-COVER
FINISH:		MINIPACK SYSTEM-HORIZONTAL-SW	
WEIGHT:		STEAM-PNEUMATIC OPERATED VALVE	
		PACKAGE-SINGLE UNIT ON DUAL RACK	
UNLESS OTHERWISE SPECIFIED DIMENSIONS ARE IN INCHES TOLERANCE		DWG NO.	SIHSWSA-1-DR-DIM
DECIMALS .XX ± .05	ANGULAR ± 3'	REV.	02
MAX SURF		SCALE: N/A	S/O#
			SHEET: 2 OF 2

ASME SECTION VIII DIV 1 : DESIGN PRESSURE - (150) psig TEST PRESSURE - (195) psig MAX DESIGN TEMPERATURE - 370 °F	
DRAWN	K. JIMENEZ 04/12/2023
CHKD	
APPVD	
MFG	
QA	