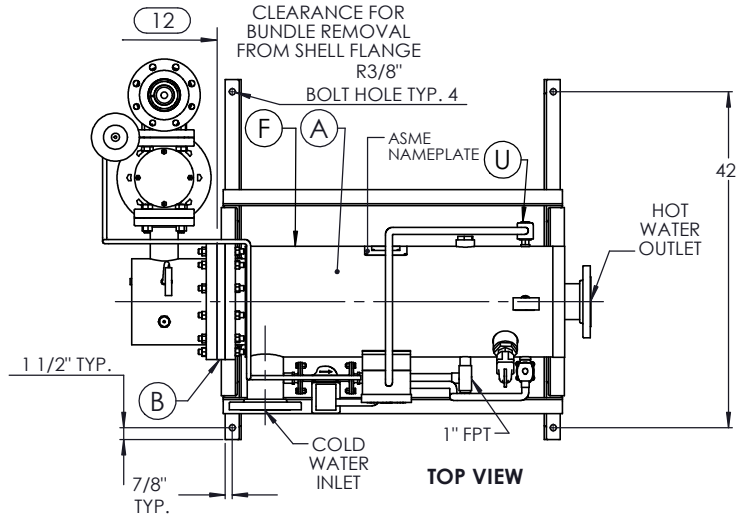
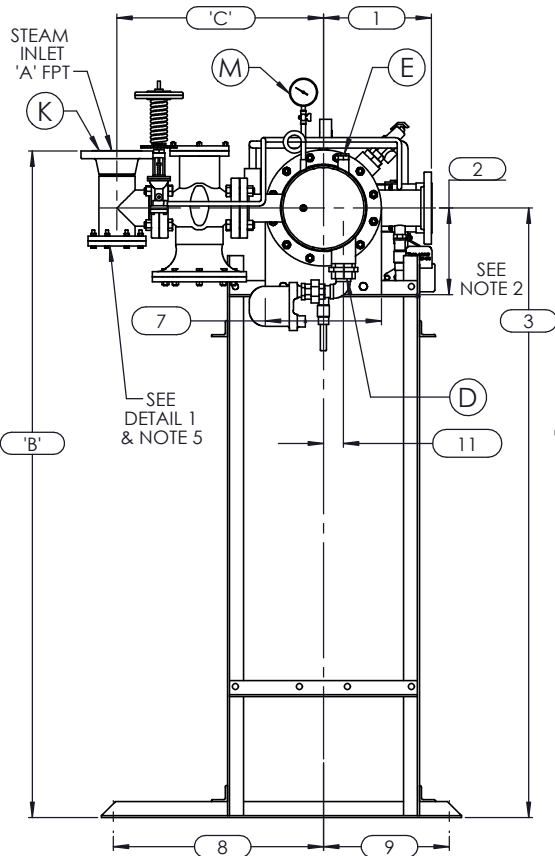


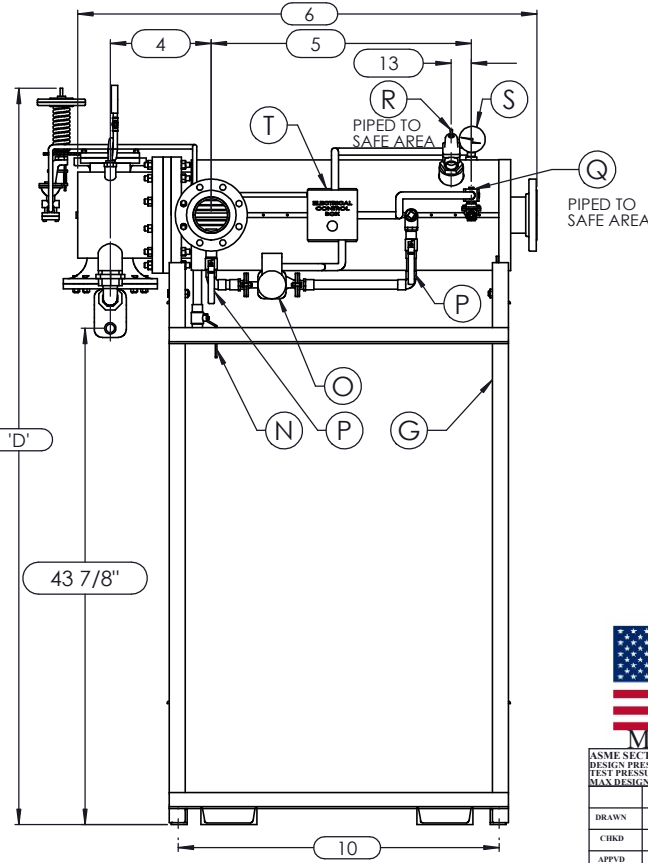
ISOMETRIC VIEW



TOP VIEW



LEFT VIEW

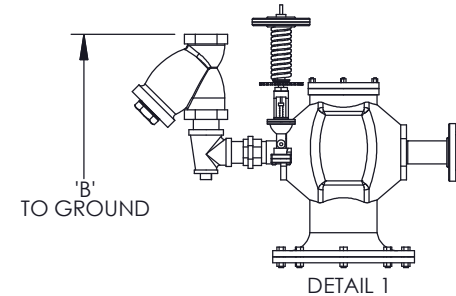


FRONT VIEW

NOTES:

- REFER TO PRODUCT SPECIFICATION FOR DESCRIPTION OF LETTERED ITEMS.
- CONDENSATE: CONDENSATE IS TO BE PIPED FROM HEATER WITHOUT LIFTS TO A VENTED RECEIVER OR DRAIN BELOW THE ELEVATION OF THE HEATER'S CONDENSATE OUTLET.
- INSTALLATION: ALL COMPONENTS SHOWN HERE ARE PREWIRED & PREPIPED BY ACE HEATERS, LLC. CUSTOMER WILL ONLY NEED TO PLUMB WATER TO BE HEATED, PIPE STEAM AND CONDENSATE LINES, AND BRING ELECTRICITY TO UNIT.
- DIMENSIONS ARE SUBJECT TO CHANGE. CONSULT FACTORY FOR TIGHT DIMENSIONS.
- THIS CONFIGURATION CHANGES FOR VALVE SIZE 1/2" TO 2". SEE DETAIL 1 FOR REFERENCE.

APPROX. EMPTY WT:



DETAIL 1



	CERTIFIED BY	Ace Heaters, LLC www.aceheatingllc.com
	MAXIMUM ALLOWABLE WORKING PRESSURE	
	SHELL 150 PSI @ 210 °F	
	TUBES 150 PSI @ 370 °F	
MIN. D.M.T. 0 °F @ 150 PSI		
S/N	YEAR BUILT	
MODEL		
CAPACITY	GAL SA.	SOFT
JOB NO.		XXX



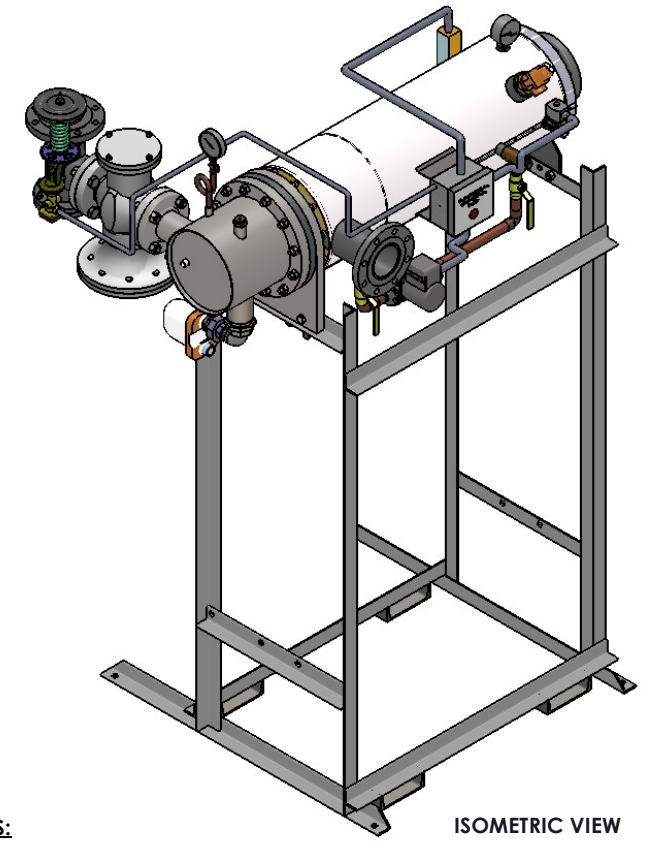
ASME SECTION VIII DIV 1: DESIGN PRESSURE - (150) psig TEST PRESSURE - (195) psig MAX DESIGN TEMPERATURE - 370 °F	
DRAWN	K. JIMENEZ 04/12/2023
CHKD	
APPVD	
MFG	
QA	

Ace Heaters, LLC www.aceheaters.com	
MATERIAL:	TITLE: SIHSW-COVER
FINISH:	MINIPACK SYSTEM-HORIZONTAL-SW
WEIGHT:	STEAM-PILOT OPERATED VALVE PACKAGE -SINGLE UNIT ON DUAL RACK
UNLESS OTHERWISE SPECIFIED DIMENSIONS ARE IN INCHES TOLERANCE	DWG NO. SIHSWSP-1-DR
DECIMALS .XX ± .05	REV. 02
ANGULAR ± 0.5 MAX SURF	SCALE: N/A
	SHEET: 1 OF 2

THE INFORMATION CONTAINED WITHIN THIS DRAWING IS PROPRIETARY AND THE SOLE PROPERTY OF ACE HEATERS, LLC. ANY REPRODUCTION IN PART OR AS A WHOLE WITHOUT THE WRITTEN PERMISSION OF ACE HEATERS, LLC IS PROHIBITED.

SIHSWSP-1-DR, SW - STEAM - PILOT VALVE PACKAGE SIZE AND LOCATION: SINGLE UNIT ON RACK

		4	5	6	8	8L	10	10L	12	12L	14	14L	16	16L		
D	MP SIZE	4	5	6	8	8L	10	10L	12	12L	14	14L	16	16L		
	ITEMS	1	9 1/2	11 1/2	12	11 9/16	11 9/16	13 7/16	13 7/16	14 7/16	14 7/16	15 3/4	15 3/4	17 5/8	17 5/8	
		2	6 5/16	7 11/16	8 3/16	10 1/8	10 1/8	10 13/16	10 13/16	12 1/2	12 1/2	12 1/4	12 1/4	14	14	
		3	58 9/16	59 15/16	60 7/16	62 3/8	62 3/8	76 1/16	76 1/16	77 3/4	77 3/4	77 1/2	77 1/2	79 1/4	79 1/4	
		4	9 5/8	9 5/8	10 1/8	10 7/8	10 7/8	12 1/2	11 13/16	15 3/4	15 3/4	16 1/8	16 3/8	17 7/8	17 7/8	
		5	36	30	36 3/4	31 3/4	37 3/4	32 1/2	38 1/2	33 1/4	45 1/4	40 1/2	55 3/4	50 1/2	65 3/4	
		6	56	49	57 3/8	53 7/8	59 7/8	57	63	63 15/16	75 15/16	73 1/16	88 5/16	88 1/16	102	
		7	7 5/8	8 3/4	9 7/8	11 7/8	11 7/8	14 1/2	14 1/2	16 5/8	16 5/8	18 1/2	18 1/2	20	20	
		8	26 1/2	26 1/2	26 1/2	26 1/2	26 1/2	26 1/2	26 1/2	26 1/2	26 1/2	26 1/2	26 1/2	26 1/2	26 1/2	
		9	15 1/2	15 1/2	15 1/2	15 1/2	15 1/2	15 1/2	15 1/2	15 1/2	15 1/2	15 1/2	15 1/2	15 1/2	15 1/2	
		10	42 3/4	35 3/4	44 1/8	39 1/8	44 7/8	39 3/4	45 3/4	42	54 1/4	49 3/4	65	62 1/4	76 1/4	
		11	1	1 3/8	1 1/2	2 1/16	2 1/16	2 1/2	2 1/2	3 1/16	3 1/16	3 1/8	3 1/8	3 1/4	3 1/4	
		12	37	31	38	33	39	34	40	35	47	42	57	53	67	
13	2 1/2	2 1/2	2 1/2	2 1/2	2 1/2	2 1/2	2 1/2	2 1/2	2 1/2	2 1/2	2 1/2	2 1/2	2 1/2			
INLET PIPE SIZE		2 THR.	2 1/2	2 1/2	3 FLG.	3 FLG.	4 FLG.	4 FLG.	4 FLG.	4 FLG.	5 FLG.	5 FLG.	6 FLG.	6 FLG.		
OUTLET PIPE SIZE		2 THR.	2 1/2	2 1/2	3 FLG.	3 FLG.	4 FLG.	4 FLG.	4 FLG.	4 FLG.	5 FLG.	5 FLG.	6 FLG.	6 FLG.		
VALVE SIZE AND OVERALL LOCATION																
C	VALVE SIZE															
	1/2"	'A'														
		'B'														
		'C'	63 3/4	63 7/8	64 3/8	66 5/16	66 5/16	80	80	81 11/16	81 11/16	81 7/16	81 7/16	83 3/16	83 3/16	
		'D'	17 7/8	18 3/8	18 5/8	19 5/8	19 5/8	22 1/8	22 1/8	23 5/8	23 5/8	25 5/8	25 5/8	27 5/8	27 5/8	
	3/4"	'A'														
		'B'														
		'C'	64 13/16	66 3/16	66 11/16	68 5/8	68 5/8	82 5/16	82 5/16	84	84	83 3/4	83 3/4	85 1/2	85 1/2	
		'D'	19 1/8	19 5/8	19 7/8	20 7/8	20 7/8	23 3/8	23 3/8	24 7/8	24 7/8	26 7/8	26 7/8	28 7/8	28 7/8	
	1"	'A'														
		'B'														
		'C'	65 1/4	66 5/8	67 1/8	69 1/16	69 1/16	82 3/4	82 3/4	84 7/16	84 7/16	84 3/16	84 3/16	85 15/16	85 15/16	
'D'		21 5/8	22 1/8	22 3/8	23 3/8	23 3/8	25 7/8	25 7/8	27 3/8	27 3/8	29 3/8	29 3/8	31 3/8	31 3/8		
1 1/4"	'A'															
	'B'															
	'C'	66 1/4	67 5/8	68 1/8	70 1/16	70 1/16	83 3/4	83 3/4	85 7/16	85 7/16	85 3/16	85 3/16	86 15/16	86 15/16		
	'D'	20 15/16	21 7/16	21 11/16	22 11/16	22 11/16	25 3/16	25 3/16	26 11/16	26 11/16	28 11/16	28 11/16	30 11/16	30 11/16		
1 1/2"	'A'															
	'B'															
	'C'	67 13/16	69 3/16	69 11/16	71 5/8	71 5/8	85 5/16	85 5/16	87	87	86 3/4	86 3/4	88 1/2	88 1/2		
	'D'	22 11/16	23 3/16	23 7/16	24 7/16	24 7/16	26 15/16	26 15/16	28 7/16	28 7/16	30 7/16	30 7/16	32 7/16	32 7/16		
2"	'A'															
	'B'															
	'C'	N/A	71 3/16	71 11/16	73 5/8	73 5/8	87 5/16	87 5/16	89	89	88 3/4	88 3/4	90 1/2	90 1/2		
	'D'	75 5/16	75 13/16	77 3/4	77 3/4	91 7/16	91 7/16	93 1/8	93 1/8	92 7/8	92 7/8	94 5/8	94 5/8			
2 1/2"	'A'															
	'B'															
	'C'	N/A	66 1/16	66 9/16	68 1/2	68 1/2	82 3/16	82 3/16	83 7/8	83 7/8	83 5/8	83 5/8	85 3/8	85 3/8		
	'D'	20 5/8	20 7/8	21 7/8	21 7/8	24 3/8	24 3/8	25 7/8	25 7/8	27 7/8	27 7/8	29 7/8	29 7/8			
3"	'A'															
	'B'															
	'C'	N/A	N/A	67 5/8	69 9/16	69 9/16	83 1/4	83 1/4	84 15/16	84 15/16	84 11/16	84 11/16	86 7/16	86 7/16		
	'D'	76 5/16	78 1/4	78 1/4	91 15/16	91 15/16	93 5/8	93 5/8	93 3/8	93 3/8	93 3/8	95 1/8	95 1/8			
4"	'A'															
	'B'															
	'C'	N/A	N/A	N/A	71 1/2	71 1/2	85 3/16	85 3/16	86 7/8	86 7/8	86 5/8	86 5/8	88 3/8	88 3/8		
	'D'	77 3/4	77 3/4	91 7/16	91 7/16	93 1/8	93 1/8	92 7/8	92 7/8	94 5/8	94 5/8					
5"	'A'															
	'B'															
	'C'	N/A	N/A	N/A	N/A	N/A	85 3/16	85 3/16	86 7/8	86 7/8	86 5/8	86 5/8	88 3/8	88 3/8		
	'D'	91 15/16	91 15/16	93 5/8	93 5/8	93 3/8	93 3/8	95 1/8	95 1/8							



ISOMETRIC VIEW

NOTES:

- 1/ DIMENSIONS IN INCHES, AND SUBJECT TO CHANGE WITHOUT NOTICE.
- 2/ DIM 'B', 'C', 'D' ARE TO BE APPROXIMATED ONLY, CONSULT FACTORY FOR TIGHT DIMENSIONS.



a nudyne company



Ace Heaters, LLC
www.aceheaters.com

MATERIAL:	SIHSW-COVER		
FINISH:	MINIPACK SYSTEM-HORIZONTAL-SW		
WEIGHT:	STEAM-PILOT OPERATED VALVE PACKAGE - SINGLE UNIT ON DUAL RACK		
DWG NO.	SIHSWSP-1-DR-DIM	REV.	02
UNLESS OTHERWISE SPECIFIED DIMENSIONS ARE IN INCHES TOLERANCE	DECIMALS .005 ANGULAR .5		
DRAWN	K. JIMENEZ	DATE	04/12/2023
CHKD			
APPV			
MFG			
QA			
SCALE: N/A	S/O#	SHEET: 2 OF 2	

THE INFORMATION CONTAINED WITHIN THIS DRAWING IS PROPRIETARY AND THE SOLE PROPERTY OF ACE HEATERS, LLC. ANY REPRODUCTION IN PART OR AS A WHOLE WITHOUT THE WRITTEN PERMISSION OF ACE HEATERS, LLC IS PROHIBITED.