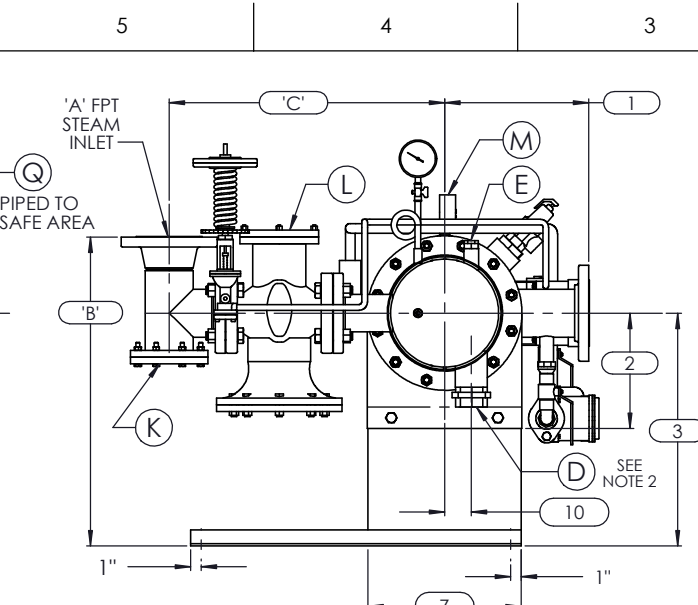


FRONT VIEW

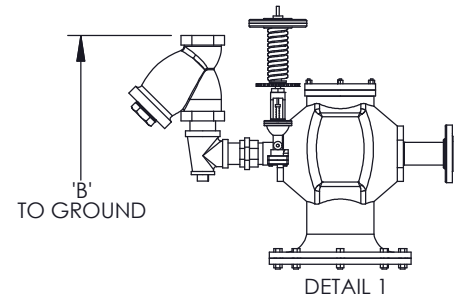


LEFT VIEW

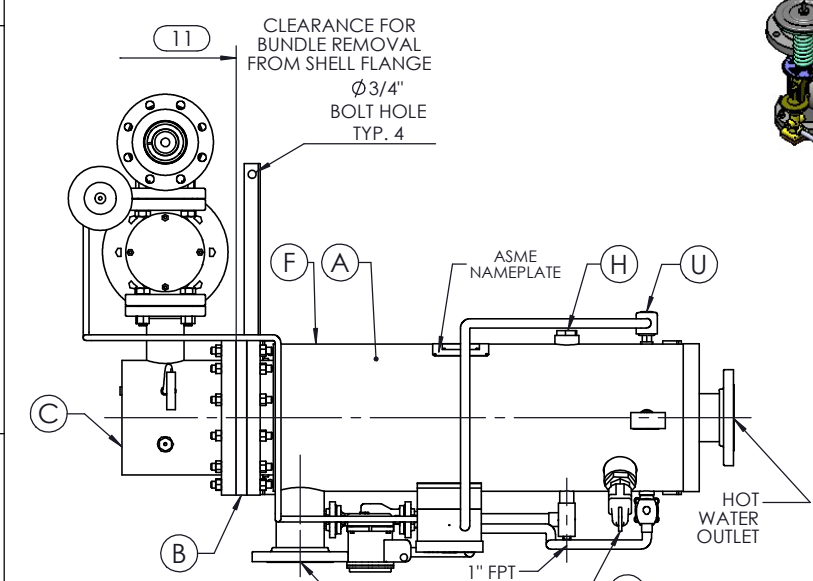
NOTES:

1. REFER TO PRODUCT SPECIFICATION FOR DESCRIPTION OF LETTERED ITEMS.
2. CONDENSATE:
CONDENSATE IS TO BE PIPED FROM HEATER WITHOUT LIFTS TO A VENTED RECEIVER OR DRAIN BELOW THE ELEVATION OF THE HEATER'S CONDENSATE OUTLET.
3. INSTALLATION:
ALL COMPONENTS SHOWN HERE ARE PREWIRED & PREPARED BY ACE HEATERS, LLC. CUSTOMER WILL ONLY NEED TO PLUMB WATER TO BE HEATED, PIPE STEAM AND CONDENSATE LINES, AND BRING ELECTRICITY TO UNIT.
4. DIMENSIONS ARE SUBJECT TO CHANGE. CONSULT FACTORY FOR TIGHT DIMENSIONS.
5. THIS CONFIGURATION CHANGES FOR VALVE SIZE 1/2" TO 2". SEE DETAIL 1 FOR REFERENCE.

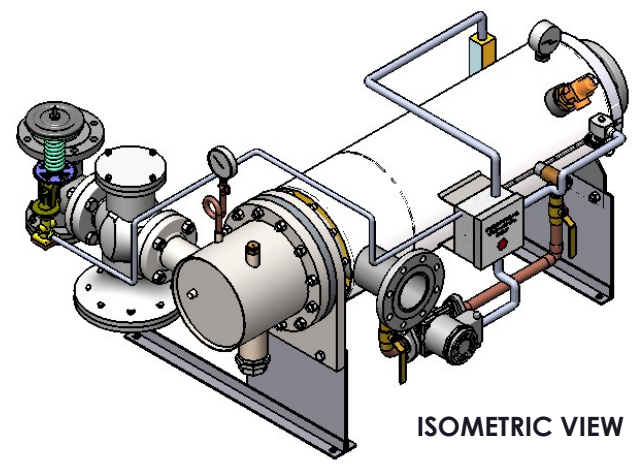
APPROX. EMPTY WT:



DETAIL 1



TOP VIEW



ISOMETRIC VIEW



	CERTIFIED BY Ace Heaters, LLC www.aceheatingllc.com	
	MAXIMUM ALLOWABLE WORKING PRESSURE SHELL 150 PSI @ 210 °F TUBES 150 PSI @ 370 °F	
	MIN. D.M.T. 0 °F @ 150 PSI S/N _____ YEAR BUILT _____	
	MODEL _____ CAPACITY _____ GAL SA. SQFT JOB NO. _____ XXX	



ASME SECTION VIII DIV 1: DESIGN PRESSURE - (150) psig TEST PRESSURE - (195) psig MAX DESIGN TEMPERATURE - 370 °F	
DRAWN CHKD APPVD MFG QA	NAME DATE
UNLESS OTHERWISE SPECIFIED DIMENSIONS ARE IN INCHES TOLERANCE	
DECIMALS .XX ± .05 .XXX ± .010	ANGULAR ± 0.5 MAX SURF

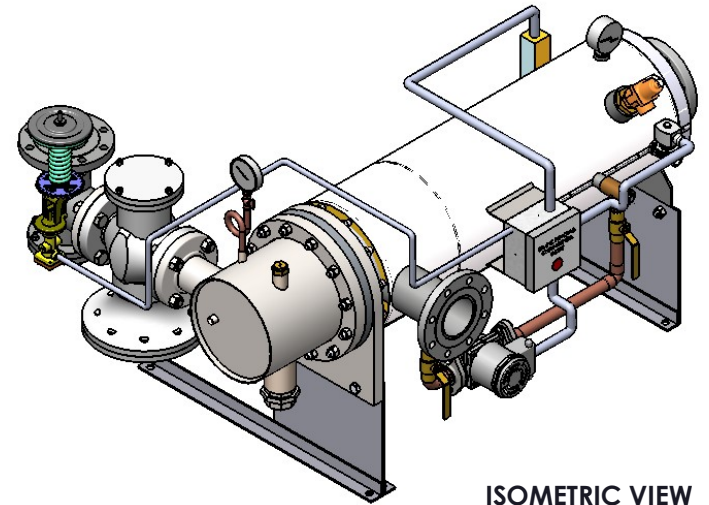
Ace Heaters, LLC www.aceheaters.com	
MATERIAL:	TITLE: SIHSW-COVER
FINISH:	MINIPACK SYSTEM-HORIZONTAL-SW
WEIGHT:	STEAM-PILOT OPERATED VALVE PACKAGE
UNLESS OTHERWISE SPECIFIED DIMENSIONS ARE IN INCHES TOLERANCE	
DWG NO. SIHSWSP	REV. 02
SCALE: N/A	SHEET: 1 OF 2

THE INFORMATION CONTAINED WITHIN THIS DRAWING IS PROPRIETARY AND THE SOLE PROPERTY OF ACE HEATERS, LLC. ANY REPRODUCTION IN PART OR AS A WHOLE WITHOUT THE WRITTEN PERMISSION OF ACE HEATERS, LLC IS PROHIBITED.

SIHSWSP, SW - STEAM - PILOT OPERATED VALVE PACKAGE SIZE AND LOCATION

MP SIZE	4	5	6	8	8L	10	10L	12	12L	14	14L	16	16L
1	9 1/2	11 1/2	12	11 9/16	11 9/16	13 7/16	13 7/16	14 7/16	14 7/16	15 3/4	15 3/4	17 5/8	17 5/8
2	6 5/16	7 11/16	8 3/16	10 1/8	10 1/8	10 13/16	10 13/16	12 1/2	12 1/2	12 1/4	12 1/4	14	14
3	13 1/2	14 7/8	15 3/8	18 5/16	18 5/16	22 3/16	22 3/16	26 7/8	26 7/8	26 5/8	26 5/8	28 3/8	28 3/8
4	9 5/8	9 5/8	10 1/8	10 7/8	10 7/8	12 1/2	11 13/16	15 3/4	15 3/4	16 1/8	16 3/8	17 7/8	17 7/8
5	36	36 3/4	36 3/4	31 3/4	37 3/4	38 1/2	38 1/2	33 1/4	45 1/4	40 1/2	55 3/4	50 1/2	65 3/4
6	56	49	57 3/8	53 7/8	59 7/8	57	63	63 15/16	75 15/16	73 1/16	88 5/16	88 1/16	102
7	7 5/8	8 3/4	9 7/8	11 7/8	11 7/8	14 1/2	14 1/2	16 5/8	16 5/8	18 1/2	18 1/2	20	20
8	42 3/8	33 1/4	41 5/8	36 3/4	42 3/4	37 3/8	43 3/8	38 3/8	50 3/8	46 1/8	61 3/8	58 5/8	72 5/8
9	10 5/8	10 3/4	10 3/4	11 5/8	11 5/8	13 5/8	13 5/8	18 15/16	18 15/16	19 13/16	19 13/16	22 5/16	22 5/16
10	1	1 3/8	1 1/2	2 1/16	2 1/16	2 1/2	2 1/2	3 1/16	3 1/16	3 1/8	3 1/8	3 1/4	3 1/4
11	37	31	38	33	39	34	40	35	47	42	57	53	67
12	2 1/2	2 1/2	2 1/2	2 1/2	2 1/2	2 1/2	2 1/2	2 1/2	2 1/2	2 1/2	2 1/2	2 1/2	2 1/2
INLET PIPE SIZE	2 THR.	2 1/2	2 1/2	3 FLG.	3 FLG.	4 FLG.	4 FLG.	4 FLG.	4 FLG.	5 FLG.	5 FLG.	6 FLG.	6 FLG.
OUTLET PIPE SIZE	2 THR.	2 1/2	2 1/2	3 FLG.	3 FLG.	4 FLG.	4 FLG.	4 FLG.	4 FLG.	5 FLG.	5 FLG.	6 FLG.	6 FLG.

VALVE SIZE AND OVERALL LOCATION														
VALVE SIZE	ITEM													
1/2"	'A'	3/4												
	'B'	18 11/16	20 1/16	20 9/16	23 1/2	23 1/2	27 3/8	27 3/8	32 1/16	32 1/16	31 13/16	31 13/16	33 9/16	33 9/16
	'C'	17 7/8	18 3/8	18 5/8	19 5/8	19 5/8	22 1/8	22 1/8	23 5/8	23 5/8	25 5/8	25 5/8	27 5/8	27 5/8
	'D'	24 1/16	25 7/16	25 15/16	28 7/8	28 7/8	32 3/4	32 3/4	37 7/16	37 7/16	37 3/16	37 3/16	38 15/16	38 15/16
3/4"	'A'	1 1/4												
	'B'	19 3/4	21 1/8	21 5/8	24 9/16	24 9/16	28 7/16	28 7/16	33 1/8	33 1/8	32 7/8	32 7/8	34 5/8	34 5/8
	'C'	19 1/8	19 5/8	19 7/8	20 7/8	20 7/8	23 3/8	23 3/8	24 7/8	24 7/8	26 7/8	26 7/8	28 7/8	28 7/8
	'D'	24 1/16	25 7/16	25 15/16	28 7/8	28 7/8	32 3/4	32 3/4	37 7/16	37 7/16	37 3/16	37 3/16	38 15/16	38 15/16
1"	'A'	1 1/2												
	'B'	20 3/16	21 9/16	22 1/16	25	25	28 7/8	28 7/8	33 9/16	33 9/16	33 5/16	33 5/16	35 1/16	35 1/16
	'C'	21 5/8	22 1/8	22 3/8	23 3/8	23 3/8	25 7/8	25 7/8	27 3/8	27 3/8	29 3/8	29 3/8	31 3/8	31 3/8
	'D'	24 13/16	26 3/16	26 11/16	29 5/8	29 5/8	33 1/2	33 1/2	38 3/16	38 3/16	37 15/16	37 15/16	39 11/16	39 11/16
1 1/4"	'A'	1 1/2												
	'B'	21 3/16	22 9/16	23 1/16	26	26	29 7/8	29 7/8	34 9/16	34 9/16	34 5/16	34 5/16	36 1/16	36 1/16
	'C'	20 15/16	21 7/16	21 11/16	22 11/16	22 11/16	25 3/16	25 3/16	26 11/16	26 11/16	28 11/16	28 11/16	30 11/16	30 11/16
	'D'	25 5/16	26 11/16	27 3/16	30 1/8	30 1/8	34	34	38 11/16	38 11/16	38 7/16	38 7/16	40 3/16	40 3/16
1 1/2"	'A'	2												
	'B'	22 3/4	24 1/8	24 5/8	27 9/16	27 9/16	31 7/16	31 7/16	36 1/8	36 1/8	35 7/8	35 7/8	37 5/8	37 5/8
	'C'	22 11/16	23 3/16	23 7/16	24 7/16	24 7/16	26 15/16	26 15/16	28 7/16	28 7/16	30 7/16	30 7/16	32 7/16	32 7/16
	'D'	25 9/16	26 15/16	27 7/16	30 3/8	30 3/8	34 1/4	34 1/4	38 15/16	38 15/16	38 11/16	38 11/16	40 7/16	40 7/16
2"	'A'	2 1/2												
	'B'	24 3/4	26 1/8	26 5/8	29 9/16	29 9/16	33 7/16	33 7/16	38 1/8	38 1/8	37 7/8	37 7/8	39 5/8	39 5/8
	'C'	30 1/16	30 9/16	30 13/16	31 13/16	31 13/16	34 5/16	34 5/16	35 13/16	35 13/16	37 13/16	37 13/16	39 13/16	39 13/16
	'D'	28 7/8	30 1/4	30 3/4	33 11/16	33 11/16	37 9/16	37 9/16	42 1/4	42 1/4	42	42	43 3/4	43 3/4
2 1/2"	'A'	3												
	'B'	21	21 1/2	24 7/16	24 7/16	28 5/16	28 5/16	33	33	32 3/4	32 3/4	34 1/2	34 1/2	
	'C'	N/A	20 5/8	20 7/8	21 7/8	21 7/8	24 3/8	24 3/8	25 7/8	25 7/8	27 7/8	27 7/8	29 7/8	29 7/8
	'D'	27 9/16	28 1/16	31	31	34 7/8	34 7/8	39 9/16	39 9/16	39 5/16	39 5/16	41 1/16	41 1/16	
3"	'A'	4												
	'B'	N/A	N/A	22 9/16	25 1/2	25 1/2	29 3/8	29 3/8	34 1/16	34 1/16	33 13/16	33 13/16	35 9/16	35 9/16
	'C'	N/A	N/A	22 5/16	23 5/16	23 5/16	25 13/16	25 13/16	27 5/16	27 5/16	29 5/16	29 5/16	31 5/16	31 5/16
	'D'	31 1/4	34 3/16	34 3/16	38 1/16	38 1/16	42 3/4	42 3/4	42 3/4	42 3/4	42 1/2	42 1/2	44 1/4	44 1/4
4"	'A'	6												
	'B'	N/A	N/A	N/A	27 7/16	27 7/16	31 5/16	31 5/16	36	36	35 3/4	35 3/4	37 1/2	37 1/2
	'C'	N/A	N/A	N/A	19 9/16	19 9/16	19 9/16	19 9/16	19 9/16	19 9/16	19 9/16	19 9/16	19 9/16	19 9/16
	'D'	33 11/16	33 11/16	37 9/16	37 9/16	42 1/4	42 1/4	42 1/4	42 1/4	42	42	43 3/4	43 3/4	
5"	'A'	6												
	'B'	N/A	N/A	N/A	N/A	N/A	31 5/16	31 5/16	36	36	35 3/4	35 3/4	37 1/2	37 1/2
	'C'	N/A	N/A	N/A	N/A	N/A	22 13/16	22 13/16	22 13/16	22 13/16	22 13/16	22 13/16	22 13/16	22 13/16
	'D'	38 1/16	38 1/16	42 3/4	42 3/4	42 3/4	42 3/4	42 3/4	42 3/4	42 1/2	42 1/2	44 1/4	44 1/4	



ISOMETRIC VIEW

NOTES:

- 1/ DIMENSIONS IN INCHES, AND SUBJECT TO CHANGE WITHOUT NOTICE.
- 2/ DIM 'B', 'C', 'D' ARE TO BE APPROXIMATED ONLY, CONSULT FACTORY FOR TIGHT DIMENSIONS.



a nudyne company

Ace Heaters, LLC

www.aceheaters.com



ASME SECTION VIII DIV 1: DESIGN PRESSURE - (150) psig TEST PRESSURE - (195) psig MAX DESIGN TEMPERATURE - 370 °F	NAME	DATE
DRAWN	K. JIMENEZ	04/12/2023
CHKD		
APPVD		
MFG		
QA		

MATERIAL:	TITLE: SIHSW-COVER
FINISH:	MINIPACK SYSTEM-HORIZONTAL-SW
WEIGHT:	STEAM-PILOT OPERATED VALVE PACKAGE
UNLESS OTHERWISE SPECIFIED DIMENSIONS ARE IN INCHES TOLERANCE	DWG NO. SIHSWSP-DIM
DECIMALS .XX ± .05 ANGULAR ± 3 MAX SURF	REV. 02
SCALE: N/A	S/O #
	SHEET: 2 OF 2

THE INFORMATION CONTAINED WITHIN THIS DRAWING IS PROPRIETARY AND THE SOLE PROPERTY OF ACE HEATERS, LLC. ANY REPRODUCTION IN PART OR AS A WHOLE WITHOUT THE WRITTEN PERMISSION OF ACE HEATERS, LLC IS PROHIBITED.