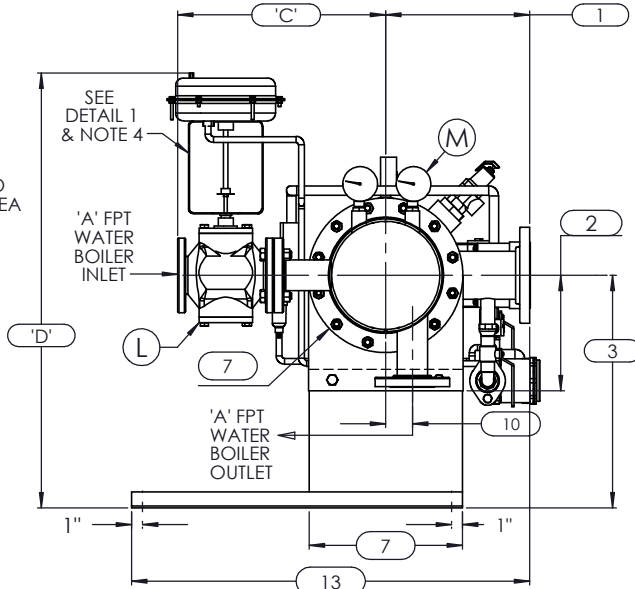


**FRONT VIEW**

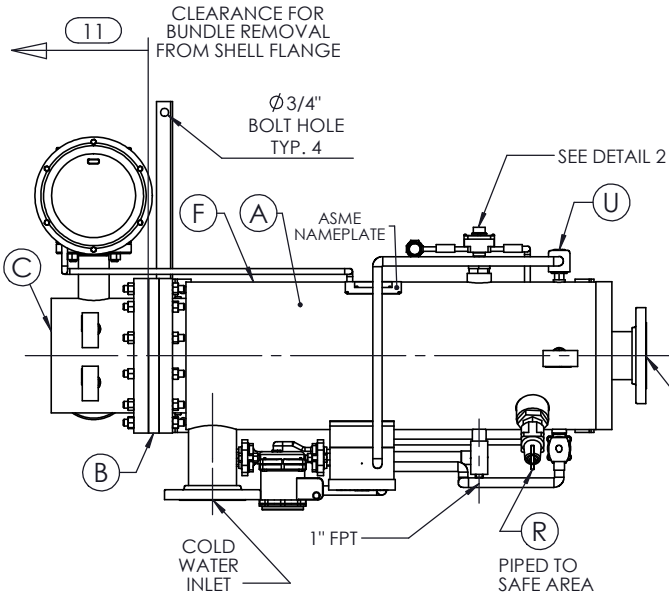
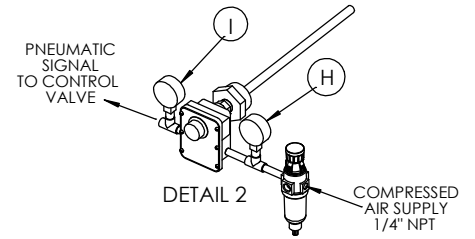


**LEFT VIEW**

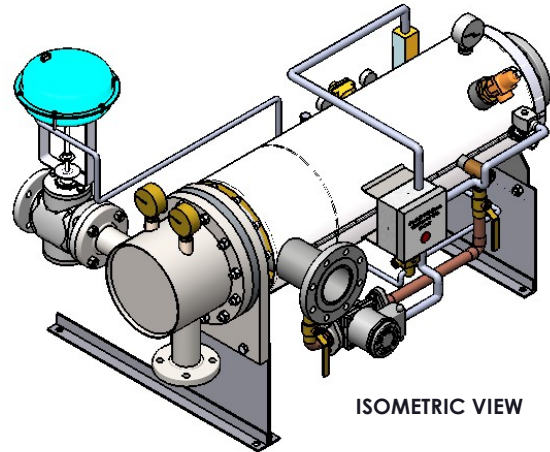
**NOTES:**

1. REFER TO PRODUCT SPECIFICATION FOR DESCRIPTION OF LETTERED ITEMS.
2. **INSTALLATION:**  
ALL COMPONENTS SHOWN HERE ARE PREWIRED & PREPARED BY ACE HEATERS, LLC. CUSTOMER WILL ONLY NEED TO PLUMB WATER TO BE HEATED, PIPE STEAM AND CONDENSATE LINES, AND BRING ELECTRICITY TO UNIT.
3. DIMENSIONS ARE SUBJECT TO CHANGE. CONSULT FACTORY FOR TIGHT DIMENSIONS.
4. THIS CONFIGURATION CHANGES FOR VALVE SIZE 1/2" TO 2". SEE DETAIL 1 FOR REFERENCE.

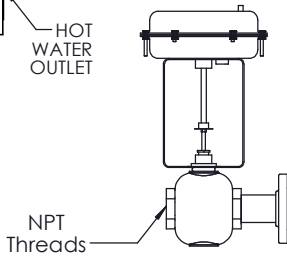
APPROX. EMPTY WT:



**TOP VIEW**



**ISOMETRIC VIEW**



**DETAIL 1**



	CERTIFIED BY <b>Ace Heaters, LLC</b> www.aceheatingllc.com
	MAXIMUM ALLOWABLE WORKING PRESSURE SHELL 150 PSI @ 210 °F TUBES 150 PSI @ 370 °F MIN. D.M.T. 0 °F @ 150 PSI S/N _____ YEAR BUILT _____
	MODEL CAPACITY _____ GAL SA. _____ SQFT JOB NO. _____ XXX



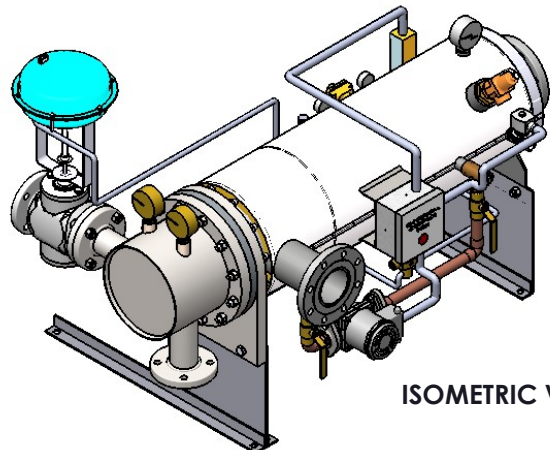
ASME SECTION VIII DIV 1: DESIGN PRESSURE - (150) psig TEST PRESSURE - (195) psig MAX DESIGN TEMPERATURE - 370 °F	
NAME	DATE
DRAWN K. JIMENEZ	04/12/2023
CHKD	
APPVD	
MFG	
QA	

<b>Ace Heaters, LLC</b> www.aceheaters.com	
MATERIAL:	TITLE: SIHSW-COVER
FINISH:	MINIPACK SYSTEM-HORIZONTAL-SW
WEIGHT:	WATER 2W-PNEUMATIC OPERATED VALVE PACKAGE
UNLESS OTHERWISE SPECIFIED DIMENSIONS ARE IN INCHES TOLERANCE	DWG NO. SIHSWWA-2W
DECIMALS .XX ± .05 ANGULAR ± 0.5 MAX SURF ± .010	REV. 02
SCALE: N/A	SHEET 1 OF 2

SIHSWWA-2W, SW - WATER - PNEUMATIC 2-WAY MIXING VALVE PACKAGE SIZE AND LOCATION

MP SIZE	4	5	6	8	8L	10	10L	12	12L	14	14L	16	16L	
ITEMS	1	9 1/2	11 1/2	12	11 9/16	11 9/16	13 7/16	13 7/16	14 7/16	14 7/16	15 3/4	15 3/4	17 5/8	17 5/8
DIMENSION	2	6 5/16	7 11/16	8 3/16	10 1/8	10 1/8	10 13/16	10 13/16	12 1/2	12 1/2	12 1/4	12 1/4	14	14
	3	13 1/2	14 7/8	15 3/8	18 5/16	18 5/16	22	22	26 7/8	26 7/8	26 5/8	26 5/8	28 3/8	28 3/8
	4	9 5/8	9 5/8	10 1/8	10 7/8	10 7/8	12 1/2	11 13/16	15 3/4	15 3/4	16 1/8	16 3/8	17 7/8	17 7/8
	5	36	30	36 3/4	31 3/4	31 3/4	32 1/2	38 1/2	33 1/4	45 1/4	40 1/2	55 3/4	50 1/2	65 3/4
	6	56	49	57 3/8	53 7/8	59 7/8	55 1/2	61 1/2	57 15/16	69 15/16	69 7/8	85 1/8	83 5/8	97 5/8
	7	7 1/2	8 5/8	9 3/4	11 3/4	11 3/4	14 3/8	14 3/8	16 1/2	16 1/2	18 1/2	18 1/2	20	20
	8	42 3/8	33 1/4	41 5/8	36 3/4	42 3/4	37 3/8	43 3/8	38 3/8	50 3/8	46 1/8	61 3/8	58 5/8	72 5/8
	9	10 5/8	10 3/4	10 3/4	11 5/8	11 5/8	12 1/8	12 1/8	12 15/16	12 15/16	16 5/8	16 5/8	17 7/8	17 7/8
	10	1	1 3/8	1 1/2	2 1/16	2 1/16	2 1/2	2 1/2	3 1/16	3 1/16	3 1/8	3 1/8	3 1/4	3 1/4
	11	37	31	38	33	39	34	40	35	47	42	57	53	67
	12	2 1/2	2 1/2	2 1/2	2 1/2	2 1/2	2 1/2	2 1/2	2 1/2	2 1/2	2 1/2	2 1/2	2 1/2	2 1/2
INLET PIPE SIZE	2 THR.	2 1/2	2 1/2	3 FLG.	3 FLG.	4 FLG.	4 FLG.	4 FLG.	4 FLG.	5 FLG.	5 FLG.	6 FLG.	6 FLG.	
OUTLET PIPE SIZE	2 THR.	2 1/2	2 1/2	3 FLG.	3 FLG.	4 FLG.	4 FLG.	4 FLG.	4 FLG.	5 FLG.	5 FLG.	6 FLG.	6 FLG.	

VALVE SIZE 'A'	ITEM	VALVE SIZE AND OVERALL LOCATION												
1/2"	'C'	15 9/16	16 1/16	16 5/16	17 5/16	17 5/16	19 13/16	19 13/16	21 5/16	21 5/16	23 5/16	23 5/16	25 5/16	25 5/16
	'D'	29 5/16	30 11/16	31 3/16	34 1/8	34 1/8	37 13/16	37 13/16	42 11/16	42 11/16	42 7/16	42 7/16	44 3/16	44 3/16
3/4"	'C'	16 9/16	17 1/16	17 5/16	18 5/16	18 5/16	20 13/16	20 13/16	22 5/16	22 5/16	24 5/16	24 5/16	26 5/16	26 5/16
	'D'	29 5/16	30 11/16	31 3/16	34 1/8	34 1/8	37 13/16	37 13/16	42 11/16	42 11/16	42 7/16	42 7/16	44 3/16	44 3/16
1"	'C'	16 9/16	17 1/16	17 5/16	18 5/16	18 5/16	20 13/16	20 13/16	22 5/16	22 5/16	24 5/16	24 5/16	26 5/16	26 5/16
	'D'	29 5/16	30 11/16	31 3/16	34 1/8	34 1/8	37 13/16	37 13/16	42 11/16	42 11/16	42 7/16	42 7/16	44 3/16	44 3/16
1 1/4"	'C'	16 9/16	17 1/16	17 5/16	18 5/16	18 5/16	20 13/16	20 13/16	22 5/16	22 5/16	24 5/16	24 5/16	26 5/16	26 5/16
	'D'	29 5/16	30 11/16	31 3/16	34 1/8	34 1/8	37 13/16	37 13/16	42 11/16	42 11/16	42 7/16	42 7/16	44 3/16	44 3/16
1 1/2"	'C'	16 9/16	17 1/16	17 5/16	18 5/16	18 5/16	20 13/16	20 13/16	22 5/16	22 5/16	24 5/16	24 5/16	26 5/16	26 5/16
	'D'	30 1/16	31 7/16	31 15/16	34 7/8	34 7/8	38 9/16	38 9/16	43 7/16	43 7/16	43 3/16	43 3/16	44 15/16	44 15/16
2"	'C'	17 15/16	18 7/16	18 11/16	19 11/16	19 11/16	22 3/16	22 3/16	23 11/16	23 11/16	25 11/16	25 11/16	27 11/16	27 11/16
	'D'	31 3/4	33 1/8	33 5/8	36 9/16	36 9/16	40 1/4	40 1/4	45 1/8	45 1/8	44 7/8	44 7/8	46 5/8	46 5/8
2 1/2"	'C'	N/A	15 3/4	16	17	17	19 1/2	19 1/2	21	21	23	23	25	25
	'D'	N/A	33 7/8	34 3/8	37 5/16	37 5/16	41	41	45 7/8	45 7/8	45 5/8	45 5/8	47 3/8	47 3/8
3"	'C'	N/A	N/A	17	18	18	20 1/2	20 1/2	22	22	24	24	26	26
	'D'	N/A	N/A	36 1/4	39 3/16	39 3/16	42 7/8	42 7/8	47 3/4	47 3/4	47 1/2	47 1/2	49 1/4	49 1/4
4"	'C'	N/A	N/A	N/A	21	21	23 1/2	23 1/2	25	25	27	27	29	29
	'D'	N/A	N/A	N/A	41 3/16	41 3/16	44 7/8	44 7/8	49 3/4	49 3/4	49 1/2	49 1/2	51 1/4	51 1/4
5"	'C'	N/A	N/A	N/A	N/A	N/A	26 1/4	26 1/4	27 3/4	27 3/4	29 3/4	29 3/4	31 3/4	31 3/4
	'D'	N/A	N/A	N/A	N/A	N/A	44 7/8	44 7/8	49 3/4	49 3/4	49 1/2	49 1/2	51 1/4	51 1/4



ISOMETRIC VIEW

- NOTES:**
- 1/ DIMENSIONS IN INCHES, AND SUBJECT TO CHANGE WITHOUT NOTICE.
  - 2/ DIM 'C', 'D' ARE TO BE APPROXIMATED ONLY, CONSULT FACTORY FOR TIGHT DIMENSIONS.



Ace Heaters, LLC  
www.aceheaters.com

ASME SECTION VIII DIV 1	DESIGN PRESSURE - (150) psig
TEST PRESSURE - (195) psig	MAX DESIGN TEMPERATURE - 370 °F
DRAWN	K. JIMENEZ
CHKD	
APPVD	
MFG	
QA	

MATERIAL:	TITLE: SIHSW-COVER
FINISH:	MINIPACK SYSTEM-HORIZONTAL-SW
WEIGHT:	WATER 2W-PNEUMATIC OPERATED VALVE PACKAGE
UNLESS OTHERWISE SPECIFIED DIMENSIONS ARE IN INCHES	DWG NO. SIHSWWA-2W-DIM
TOLERANCE	REV. 02
DECIMALS ANGULAR	SCALE: N/A S/O#
.XX ± .05	SHEET: 2 OF 2
.XXX ± .010	