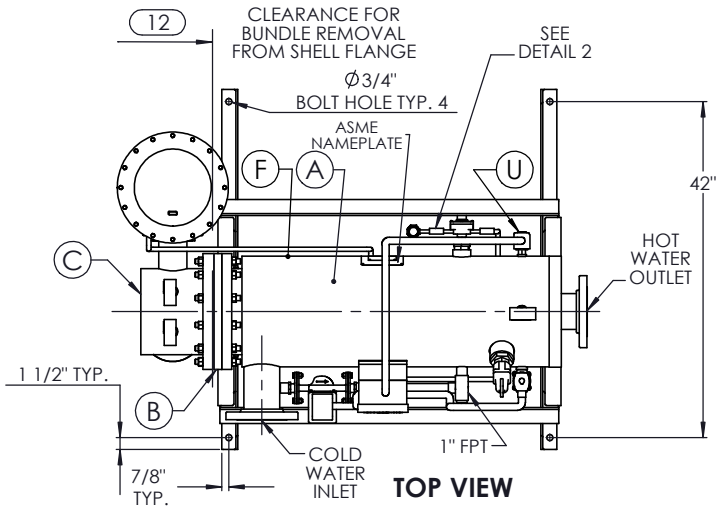
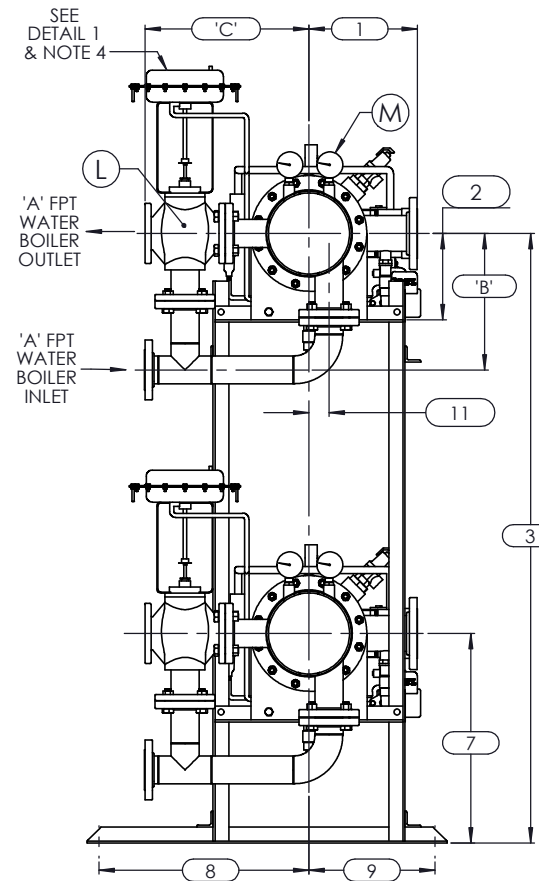


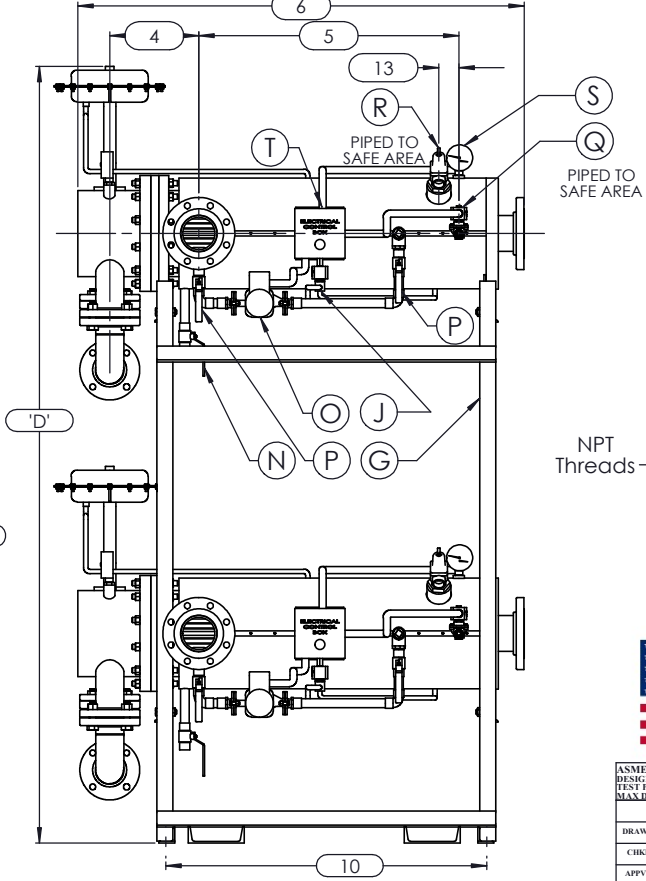
**ISOMETRIC VIEW**



**TOP VIEW**



**LEFT VIEW**

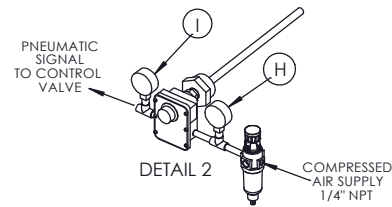


**FRONT VIEW**

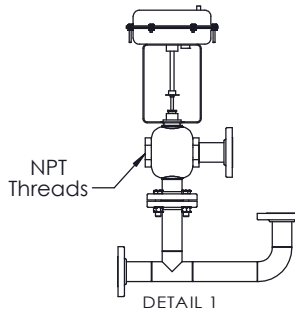
**NOTES:**

1. REFER TO PRODUCT SPECIFICATION FOR DESCRIPTION OF LETTERED ITEMS.
2. **INSTALLATION:**  
ALL COMPONENTS SHOWN HERE ARE PREWIRED & PREPARED BY ACE HEATERS, LLC. CUSTOMER WILL ONLY NEED TO PLUMB WATER TO BE HEATED, PIPE STEAM AND CONDENSATE LINES, AND BRING ELECTRICITY TO UNIT.
3. DIMENSIONS ARE SUBJECT TO CHANGE. CONSULT FACTORY FOR TIGHT DIMENSIONS.
4. THIS CONFIGURATION CHANGES FOR VALVE SIZE 1/2" TO 2". SEE DETAIL 1 FOR REFERENCE.

APPROX. EMPTY WT:



	CERTIFIED BY <b>Ace Heaters, LLC</b> www.aceheatingllc.com
	MAXIMUM ALLOWABLE WORKING PRESSURE SHELL 150 PSI @ 210 °F TUBES 150 PSI @ 370 °F MIN. D.M.T. 0 °F @ 150 PSI S/N _____ YEAR BUILT _____
MODEL _____ CAPACITY _____ GAL SA. SQFT JOB NO. _____ XXX	



ASME SECTION VIII DIV 1:  
DESIGN PRESSURE - (150) psig  
TEST PRESSURE - (195) psig  
MAX DESIGN TEMPERATURE - 370 °F

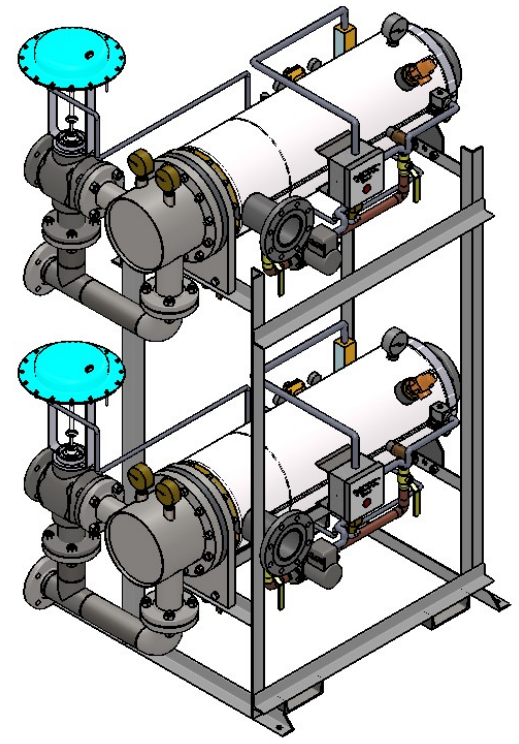
NAME	DATE
DRAWN K. JIMENEZ	04/12/2023
CHKD	
APPVD	
MFG	
QA	

<b>Ace Heaters, LLC</b> www.aceheaters.com	
MATERIAL:	TITLE: SIHSW-COVER
FINISH:	MINIPACK SYSTEM-HORIZONTAL-SW
WEIGHT:	WATER 3W-PNEUMATIC OPERATED VALVE PACKAGE - DUAL UNIT ON DUAL RACK
UNLESS OTHERWISE SPECIFIED DIMENSIONS ARE IN INCHES TOLERANCE	DWG NO. SIHSWWA-2-DR-3W
DECIMALS .XX ± .05 ANGULAR ± 3° MAX SURF	REV. 02
SCALE: N/A	S/O#
SHEET 1 OF 2	

SIHSWWA-3W-2DR - DIM, SW - WATER - PNEUMATIC 3-WAY MIXING VALVE PACKAGE SIZE AND LOCATION: DUAL UNIT ON RACK

MP SIZE	4	5	6	8	8L	10	10L	12	12L	14	14L	16	16L
1	9 1/2	11 7/16	12	11 1/2	11 1/2	13 3/8	13 3/8	14 3/8	14 3/8	15 3/4	15 3/4	17 5/8	17 5/8
2	6 5/16	7 11/16	8 3/16	10 1/8	10 1/8	10 13/16	10 13/16	12 1/2	12 1/2	12 1/4	12 1/4	14	14
3	58 9/16	59 15/16	60 7/16	62 3/8	62 3/8	76 1/16	76 1/16	77 3/4	77 3/4	77 1/2	77 1/2	79 1/4	79 1/4
4	9 5/8	9 5/8	10 1/8	10 7/8	10 7/8	12 1/2	12 1/2	15 3/4	15 3/4	16 1/8	16 3/8	17 7/8	17 7/8
5	36	30	36 3/4	31 3/4	37 3/4	32 1/2	38 1/2	33 1/4	45 1/4	40 1/2	55 3/4	50 1/2	65 3/4
6	56	49	57 3/8	53 7/8	59 7/8	55 1/2	61 1/2	57 15/16	69 15/16	69 7/8	85 1/8	83 5/8	97 5/8
7	21 9/16	22 15/16	23 7/16	25 3/8	25 3/8	26 3/16	26 3/16	27 7/8	27 7/8	27 5/8	27 5/8	29 3/8	29 3/8
8	26 1/2	26 1/2	26 1/2	26 1/2	26 1/2	26 1/2	26 1/2	26 1/2	26 1/2	26 1/2	26 1/2	26 1/2	26 1/2
9	15 1/2	15 1/2	15 1/2	15 1/2	15 1/2	15 1/2	15 1/2	15 1/2	15 1/2	15 1/2	15 1/2	15 1/2	15 1/2
10	42 3/4	35 3/4	44 1/8	39 1/8	44 7/8	39 3/4	45 3/4	42	54 1/4	49 3/4	65	62 1/4	76 1/4
11	1	1 3/8	1 1/2	2 1/16	2 1/16	2 1/2	2 1/2	3 1/16	3 1/16	3 1/8	3 1/8	3 1/4	3 1/4
12	37	31	38	33	39	34	40	35	47	42	57	53	67
13	2 1/2	2 1/2	2 1/2	2 1/2	2 1/2	2 1/2	2 1/2	2 1/2	2 1/2	2 1/2	2 1/2	2 1/2	2 1/2
INLET PIPE SIZE	2 THR.	2 1/2 FLG.	2 1/2 FLG.	3 FLG.	3 FLG.	4 FLG.	4 FLG.	4 FLG.	4 FLG.	5 FLG.	5 FLG.	6 FLG.	6 FLG.
OUTLET PIPE SIZE	2 THR.	2 1/2 FLG.	2 1/2 FLG.	3 FLG.	3 FLG.	4 FLG.	4 FLG.	4 FLG.	4 FLG.	5 FLG.	5 FLG.	6 FLG.	6 FLG.

VALVE SIZE 'A'	ITEM	VALVE SIZE AND OVERALL LOCATION												
1/2"	'B'	12 1/8	12 1/8	12 1/8	12 1/8	12 1/8	12 1/8	12 1/8	12 1/8	12 1/8	12 1/8	12 1/8	12 1/8	
	'C'	15 9/16	16 1/16	16 5/16	17 5/16	17 5/16	19 13/16	19 13/16	21 5/16	21 5/16	23 5/16	23 5/16	25 5/16	25 5/16
	'D'	74 3/8	75 3/4	76 1/4	78 3/16	78 3/16	91 7/8	91 7/8	93 9/16	93 9/16	93 5/16	93 5/16	95 1/16	95 1/16
3/4"	'B'	12 9/16	12 9/16	12 9/16	12 9/16	12 9/16	12 9/16	12 9/16	12 9/16	12 9/16	12 9/16	12 9/16	12 9/16	
	'C'	16 9/16	17 1/16	17 5/16	18 5/16	18 5/16	20 13/16	20 13/16	22 5/16	22 5/16	24 5/16	24 5/16	26 5/16	26 5/16
	'D'	74 3/8	75 3/4	76 1/4	78 3/16	78 3/16	91 7/8	91 7/8	93 9/16	93 9/16	93 5/16	93 5/16	95 1/16	95 1/16
1"	'B'	13	13	13	13	13	13	13	13	13	13	13	13	
	'C'	16 9/16	17 1/16	17 5/16	18 5/16	18 5/16	20 13/16	20 13/16	22 5/16	22 5/16	24 5/16	24 5/16	26 5/16	26 5/16
	'D'	74 3/8	75 3/4	76 1/4	78 3/16	78 3/16	91 7/8	91 7/8	93 9/16	93 9/16	93 5/16	93 5/16	95 1/16	95 1/16
1 1/4"	'B'	13 3/4	13 3/4	13 3/4	13 3/4	13 3/4	13 3/4	13 3/4	13 3/4	13 3/4	13 3/4	13 3/4	13 3/4	
	'C'	16 9/16	17 1/16	17 5/16	18 5/16	18 5/16	20 13/16	20 13/16	22 5/16	22 5/16	24 5/16	24 5/16	26 5/16	26 5/16
	'D'	74 3/8	75 3/4	76 1/4	78 3/16	78 3/16	91 7/8	91 7/8	93 9/16	93 9/16	93 5/16	93 5/16	95 1/16	95 1/16
1 1/2"	'B'	13 9/16	13 9/16	13 9/16	13 9/16	13 9/16	13 9/16	13 9/16	13 9/16	13 9/16	13 9/16	13 9/16	13 9/16	
	'C'	16 9/16	17 1/16	17 5/16	18 5/16	18 5/16	20 13/16	20 13/16	22 5/16	22 5/16	24 5/16	24 5/16	26 5/16	26 5/16
	'D'	75 1/8	76 1/2	77	78 15/16	78 15/16	92 5/8	92 5/8	94 5/16	94 5/16	94 1/16	94 1/16	95 13/16	95 13/16
2"	'B'	14 5/16	14 5/16	14 5/16	14 5/16	14 5/16	14 5/16	14 5/16	14 5/16	14 5/16	14 5/16	14 5/16	14 5/16	
	'C'	17 15/16	18 7/16	18 11/16	19 11/16	19 11/16	22 3/16	22 3/16	23 11/16	23 11/16	25 11/16	25 11/16	27 11/16	27 11/16
	'D'	76 13/16	78 3/16	78 11/16	80 5/8	80 5/8	94 5/16	94 5/16	96	96	95 3/4	95 3/4	97 1/2	97 1/2
2 1/2"	'B'	21	21	21	21	21	21	21	21	21	21	21	21	
	'C'	N/A	15 3/4	16	17	17	19 1/2	19 1/2	21	21	23	23	25	25
	'D'	N/A	78 15/16	79 7/16	81 3/8	81 3/8	95 1/16	95 1/16	96 3/4	96 3/4	96 1/2	96 1/2	98 1/4	98 1/4
3"	'B'	N/A	N/A	23 13/16	23 13/16	23 13/16	23 13/16	23 13/16	23 13/16	23 13/16	23 13/16	23 13/16	23 13/16	
	'C'	N/A	N/A	17	18	18	20 1/2	20 1/2	22	22	24	24	26	26
	'D'	N/A	N/A	81 5/16	83 1/4	83 1/4	96 15/16	96 15/16	98 5/8	98 5/8	98 3/8	98 3/8	100 1/8	100 1/8
4"	'B'	N/A	N/A	N/A	26 3/16	26 3/16	26 3/16	26 3/16	26 3/16	26 3/16	26 3/16	26 3/16	26 3/16	
	'C'	N/A	N/A	N/A	21	21	23 1/2	23 1/2	25	25	27	27	29	29
	'D'	N/A	N/A	N/A	85 1/4	85 1/4	98 15/16	98 15/16	100 5/8	100 5/8	100 3/8	100 3/8	102 1/8	102 1/8
5"	'B'	N/A	N/A	N/A	N/A	N/A	27 1/4	27 1/4	27 1/4	27 1/4	27 1/4	27 1/4	27 1/4	
	'C'	N/A	N/A	N/A	N/A	N/A	26 1/4	26 1/4	27 3/4	27 3/4	29 3/4	29 3/4	31 3/4	31 3/4
	'D'	N/A	N/A	N/A	N/A	N/A	98 15/16	98 15/16	100 5/8	100 5/8	100 3/8	100 3/8	102 1/8	102 1/8



ISOMETRIC VIEW



Ace Heaters, LLC  
www.aceheaters.com



MATERIAL:	SIHSW-COVER		
FINISH:	MINIPACK SYSTEM-HORIZONTAL-SW		
WEIGHT:	WATER 3W-PNEUMATIC OPERATED VALVE PACKAGE - DUAL UNIT ON DUAL RACK		
UNLESS OTHERWISE SPECIFIED DIMENSIONS ARE IN INCHES TOLERANCE	DWG NO.	REV.	
DECIMALS .XX ± .05	SIHSWWA-2-DR-3W-DIM	02	
ANGULAR ± 3	SCALE: N/A	S/O #	SHEET: 2 OF 2
MAX SURF			

**NOTES:**  
 1/ DIMENSIONS IN INCHES, AND SUBJECT TO CHANGE WITHOUT NOTICE.  
 2/ DIM 'B', 'C', 'D' ARE TO BE APPROXIMATED ONLY, CONSULT FACTORY FOR TIGHT DIMENSIONS.