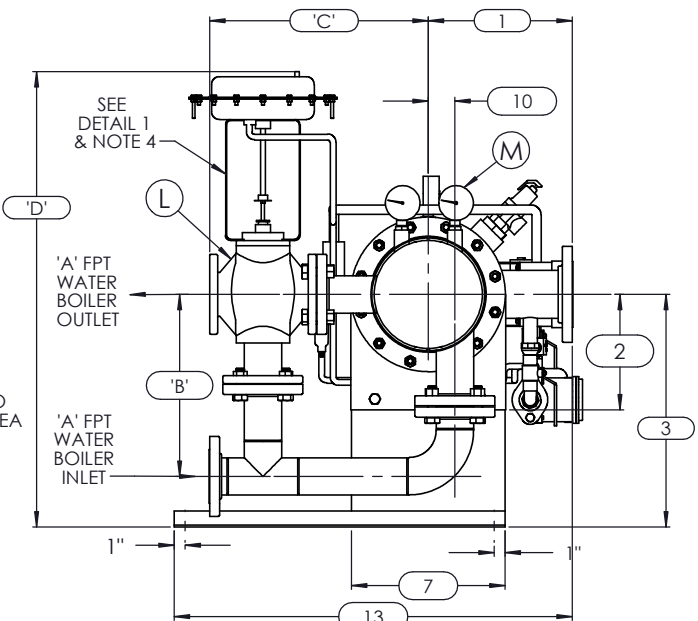


FRONT VIEW

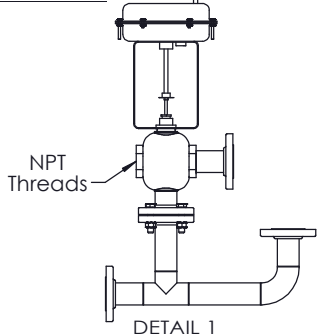


LEFT VIEW

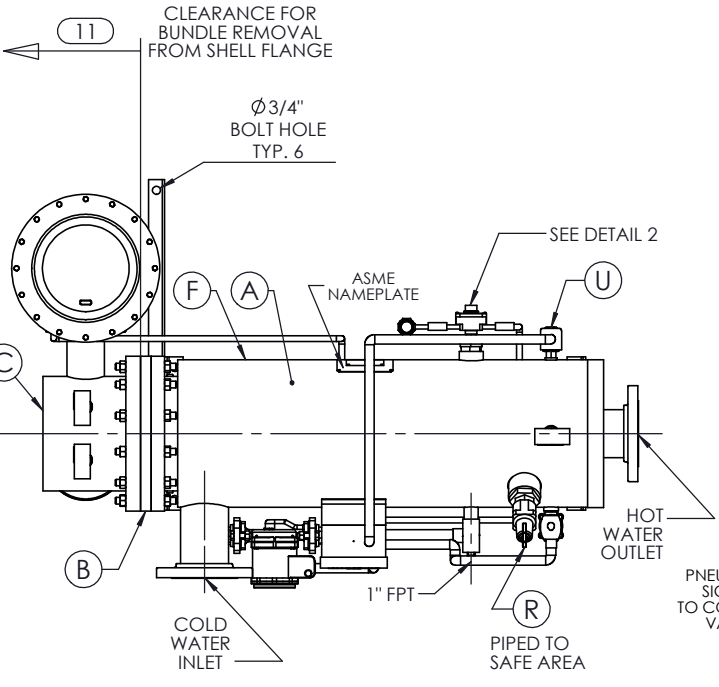
NOTES:

1. REFER TO PRODUCT SPECIFICATION FOR DESCRIPTION OF LETTERED ITEMS.
2. **INSTALLATION:**
ALL COMPONENTS SHOWN HERE ARE PREWIRED & PREPARED BY ACE HEATERS, LLC. CUSTOMER WILL ONLY NEED TO PLUMB WATER TO BE HEATED, PIPE STEAM AND CONDENSATE LINES, AND BRING ELECTRICITY TO UNIT.
3. DIMENSIONS ARE SUBJECT TO CHANGE. CONSULT FACTORY FOR TIGHT DIMENSIONS.
4. THIS CONFIGURATION CHANGES FOR VALVE SIZE 1/2" TO 2". SEE DETAIL 1 FOR REFERENCE.

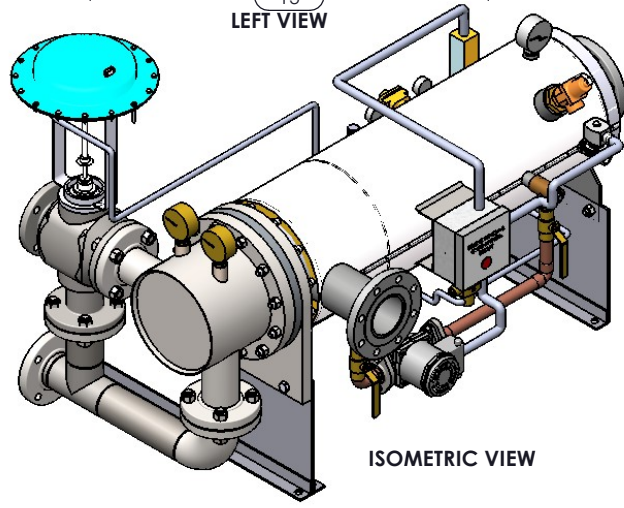
APPROX. EMPTY WT:



DETAIL 1



TOP VIEW



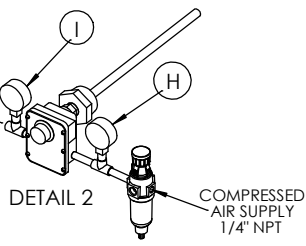
ISOMETRIC VIEW



	CERTIFIED BY Ace Heaters, LLC www.aceheatingllc.com	
	MAXIMUM ALLOWABLE WORKING PRESSURE SHELL 150 PSI @ 210 °F TUBES 150 PSI @ 370 °F MIN. D.M.T. 0 °F @ 150 PSI S/N _____ YEAR BUILT _____	
	MODEL _____ CAPACITY _____ GAL SA. SQFT JOB NO. _____ XXX	



ASME SECTION VIII DIV 1: DESIGN PRESSURE - (150) psig TEST PRESSURE - (195) psig MAX DESIGN TEMPERATURE - 370 °F	
DRAWN CHKD APPVD MFG QA	NAME DATE K. JIMENEZ 04/12/2023



DETAIL 2

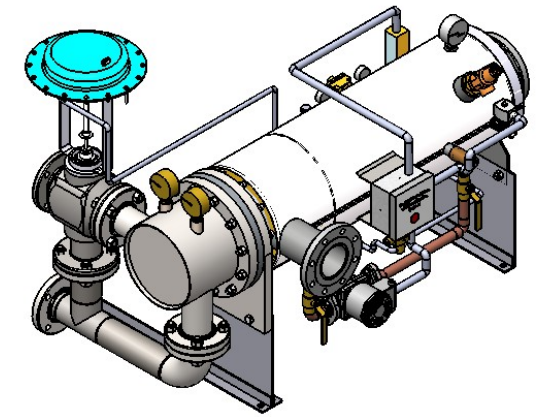
Ace Heaters, LLC
www.aceheaters.com

MATERIAL:	TITLE: SIHSW-COVER	
FINISH:	MINIPACK SYSTEM-HORIZONTAL-SW	
WEIGHT:	WATER 3W-PNEUMATIC OPERATED VALVE PACKAGE	
UNLESS OTHERWISE SPECIFIED DIMENSIONS ARE IN INCHES TOLERANCE		
DECIMALS .XX ± .05	ANGULAR ± 3	DWG NO. SIHSWWA-3W
XXX ± .010	MAX SURF	REV. 02
SCALE: N/A	S/O#	SHEET: 1 OF 2

SIHSWWA-3W, SW - WATER - PNEUMATIC 3-WAY MIXING VALVE PACKAGE SIZE AND LOCATION

MP SIZE	4	5	6	8	8L	10	10L	12	12L	14	14L	16	16L	
ITEMS	1	9 1/2	11 1/2	12	11 9/16	11 9/16	13 7/16	13 7/16	14 7/16	14 7/16	15 3/4	15 3/4	17 5/8	17 5/8
	2	6 5/16	7 11/16	8 3/16	10 1/8	10 1/8	10 13/16	10 13/16	12 1/2	12 1/2	12 1/4	12 1/4	14	14
	3	13 1/2	14 7/8	15 3/8	18 5/16	18 5/16	22	22	26 7/8	26 7/8	26 5/8	26 5/8	28 3/8	28 3/8
	4	9 5/8	9 5/8	10 1/8	10 7/8	10 7/8	12 1/2	11 13/16	15 3/4	15 3/4	16 1/8	16 3/8	17 7/8	17 7/8
	5	36	30	36 3/4	31 3/4	37 3/4	32 1/2	38 1/2	33 1/4	45 1/4	40 1/2	55 3/4	50 1/2	65 3/4
	6	56	49	57 3/8	53 7/8	59 7/8	55 1/2	61 1/2	57 15/16	69 15/16	69 7/8	85 1/8	83 5/8	97 5/8
	7	7 1/2	8 5/8	9 3/4	11 3/4	11 3/4	14 3/8	14 3/8	16 1/2	16 1/2	18 1/2	18 1/2	20	20
	8	42 3/8	33 1/4	41 5/8	36 3/4	42 3/4	37 3/8	43 3/8	38 3/8	50 3/8	46 1/8	61 3/8	58 5/8	72 5/8
	9	10 5/8	10 3/4	10 3/4	11 5/8	11 5/8	12 1/8	12 1/8	12 15/16	12 15/16	16 5/8	16 5/8	17 7/8	17 7/8
	10	1	1 3/8	1 1/2	2 1/16	2 1/16	2 1/2	2 1/2	3 1/16	3 1/16	3 1/8	3 1/8	3 1/4	3 1/4
	11	3/	31	38	33	39	34	40	35	4/	42	5/	53	6/
	12	2 1/2	2 1/2	2 1/2	2 1/2	2 1/2	2 1/2	2 1/2	2 1/2	2 1/2	2 1/2	2 1/2	2 1/2	2 1/2
	13	30 1/4	30 1/8	30 1/16	33 9/16	33 9/16	37 1/4	37 1/4	40 3/16	40 3/16	41 1/4	41 1/4	42 1/2	42 1/2
INLET PIPE SIZE		2 IHR.	2 1/2	2 1/2	3 FLG.	3 FLG.	4 FLG.	4 FLG.	4 FLG.	4 FLG.	5 FLG.	5 FLG.	6 FLG.	6 FLG.
OUTLET PIPE SIZE		2 IHR.	2 1/2	2 1/2	3 FLG.	3 FLG.	4 FLG.	4 FLG.	4 FLG.	4 FLG.	5 FLG.	5 FLG.	6 FLG.	6 FLG.

VALVE SIZE 'A'	ITEM	VALVE SIZE AND OVERALL LOCATION												
1/2"	'B'	11 1/2	12 7/8	13 3/8	16 1/3	16 1/3	20	20	24 7/8	24 7/8	24 5/8	24 5/8	26 3/8	26 3/8
	'C'	15 9/16	16 1/16	16 5/16	17 5/16	17 5/16	19 13/16	19 13/16	21 5/16	21 5/16	23 5/16	23 5/16	25 5/16	25 5/16
	'D'	29 5/16	30 11/16	31 3/16	34 1/8	34 1/8	37 13/16	37 13/16	42 11/16	42 11/16	42 7/16	42 7/16	44 3/16	44 3/16
3/4"	'B'	11 1/4	12 5/8	13 1/8	16	16	19 3/4	19 3/4	24 5/8	24 5/8	24 3/8	24 3/8	26 1/8	26 1/8
	'C'	16 9/16	17 1/16	17 5/16	18 5/16	18 5/16	20 13/16	20 13/16	22 5/16	22 5/16	24 5/16	24 5/16	26 5/16	26 5/16
	'D'	29 5/16	30 11/16	31 3/16	34 1/8	34 1/8	37 13/16	37 13/16	42 11/16	42 11/16	42 7/16	42 7/16	44 3/16	44 3/16
1"	'B'	11 1/4	12 5/8	13 1/8	16 1/16	16 1/16	19 3/4	19 3/4	24 5/8	24 5/8	24 3/8	24 3/8	26 1/8	26 1/8
	'C'	16 9/16	17 1/16	17 5/16	18 5/16	18 5/16	20 13/16	20 13/16	22 5/16	22 5/16	24 5/16	24 5/16	26 5/16	26 5/16
	'D'	29 5/16	30 11/16	31 3/16	34 1/8	34 1/8	37 13/16	37 13/16	42 11/16	42 11/16	42 7/16	42 7/16	44 3/16	44 3/16
1 1/4"	'B'	11	12 3/8	12 7/8	15 4/5	15 4/5	19 1/2	19 1/2	24 3/8	24 3/8	24 1/8	24 1/8	25 7/8	25 7/8
	'C'	16 9/16	17 1/16	17 5/16	18 5/16	18 5/16	20 13/16	20 13/16	22 5/16	22 5/16	24 5/16	24 5/16	26 5/16	26 5/16
	'D'	29 5/16	30 11/16	31 3/16	34 1/8	34 1/8	37 13/16	37 13/16	42 11/16	42 11/16	42 7/16	42 7/16	44 3/16	44 3/16
1 1/2"	'B'	10 1/2	11 7/8	12 3/8	15 5/16	15 5/16	19	19	23 7/8	23 7/8	23 5/8	23 5/8	25 3/8	25 3/8
	'C'	16 9/16	17 1/16	17 5/16	18 5/16	18 5/16	20 13/16	20 13/16	22 5/16	22 5/16	24 5/16	24 5/16	26 5/16	26 5/16
	'D'	30 1/16	31 7/16	31 15/16	34 7/8	34 7/8	38 9/16	38 9/16	43 7/16	43 7/16	43 3/16	43 3/16	44 15/16	44 15/16
2"	'B'	9 1/2	10 7/8	11 3/8	14 5/16	14 5/16	18	18	22 7/8	22 7/8	22 5/8	22 5/8	24 3/8	24 3/8
	'C'	17 15/16	18 7/16	18 11/16	19 11/16	19 11/16	22 3/16	22 3/16	23 11/16	23 11/16	25 11/16	25 11/16	27 11/16	27 11/16
	'D'	31 3/4	33 1/8	33 5/8	36 9/16	36 9/16	40 1/4	40 1/4	45 1/8	45 1/8	44 7/8	44 7/8	46 5/8	46 5/8
2 1/2"	'B'	10 7/8	11 3/8	14 5/16	14 5/16	18	18	22 7/8	22 7/8	22 5/8	22 5/8	24 3/8	24 3/8	
	'C'	N/A	15 3/4	16	17	17	19 1/2	19 1/2	21	21	23	23	25	25
	'D'	33 7/8	34 3/8	37 5/16	37 5/16	41	41	45 7/8	45 7/8	45 5/8	45 5/8	47 3/8	47 3/8	
3"	'B'	N/A	N/A	11 1/8	14 1/16	14 1/16	17 3/4	17 3/4	22 5/8	22 5/8	22 3/8	22 3/8	24 1/8	24 1/8
	'C'	N/A	N/A	17	18	18	20 1/2	20 1/2	22	22	24	24	26	26
	'D'	N/A	N/A	36 1/4	39 3/16	39 3/16	42 7/8	42 7/8	47 3/4	47 3/4	47 1/2	47 1/2	49 1/4	49 1/4
4"	'B'	N/A	N/A	N/A	13 5/16	13 5/16	17	17	21 7/8	21 7/8	21 5/8	21 5/8	23 3/8	23 3/8
	'C'	N/A	N/A	N/A	21	21	23 1/2	23 1/2	25	25	27	27	29	29
	'D'	N/A	N/A	N/A	41 3/16	41 3/16	44 7/8	44 7/8	49 3/4	49 3/4	49 1/2	49 1/2	51 1/4	51 1/4
5"	'B'	N/A	N/A	N/A	N/A	N/A	16	16	20 7/8	20 7/8	20 5/8	20 5/8	22 3/8	22 3/8
	'C'	N/A	N/A	N/A	N/A	N/A	26 1/4	26 1/4	27 3/4	27 3/4	29 3/4	29 3/4	31 3/4	31 3/4
	'D'	N/A	N/A	N/A	N/A	N/A	44 7/8	44 7/8	49 3/4	49 3/4	49 1/2	49 1/2	51 1/4	51 1/4



ISOMETRIC VIEW



a nudyne company

NOTES:
 1/ DIMENSIONS IN INCHES, AND SUBJECT TO CHANGE WITHOUT NOTICE.
 2/ DIM 'B', 'C', 'D' ARE TO BE APPROXIMATED ONLY, CONSULT FACTORY FOR TIGHT DIMENSIONS.



Ace Heaters, LLC
 www.aceheaters.com

ASME SECTION VIII DIV 1: DESIGN PRESSURE - (150) psig TEST PRESSURE - (195) psig MAX DESIGN TEMPERATURE - 370 °F	NAME	DATE
DRAWN	K. JIMENEZ	04/12/2023
CHKD		
APPVD		
MFG		
QA		

MATERIAL:	TITLE: SIHSW-COVER
FINISH:	MINIPACK SYSTEM-HORIZONTAL-SW
WEIGHT:	WATER 3W-PNEUMATIC OPERATED VALVE PACKAGE
UNLESS OTHERWISE SPECIFIED DIMENSIONS ARE IN INCHES TOLERANCE	DWG NO. SIHSWWA-3W-DIM
DECIMALS .XX ± .05 ANGULAR ± 3 MAX SURF	REV. 02
SCALE: N/A	S/O#
	SHEET: 2 OF 2

THE INFORMATION CONTAINED WITHIN THIS DRAWING IS PROPRIETARY AND THE SOLE PROPERTY OF ACE HEATERS, LLC. ANY REPRODUCTION IN PART OR AS A WHOLE WITHOUT THE WRITTEN PERMISSION OF ACE HEATERS, LLC IS PROHIBITED.