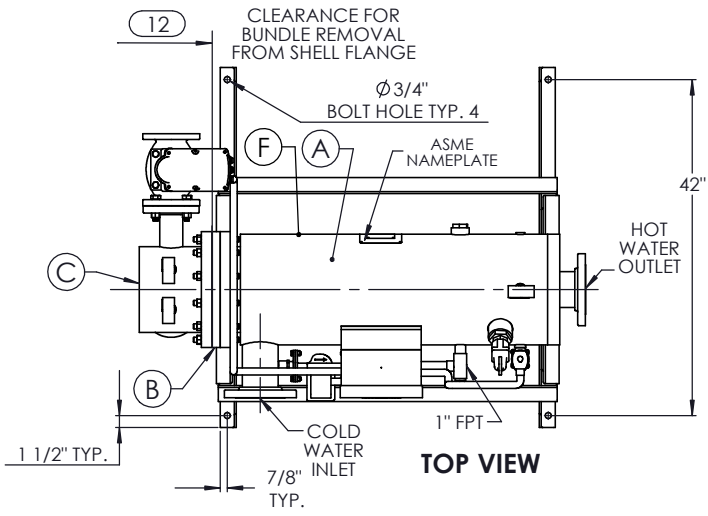
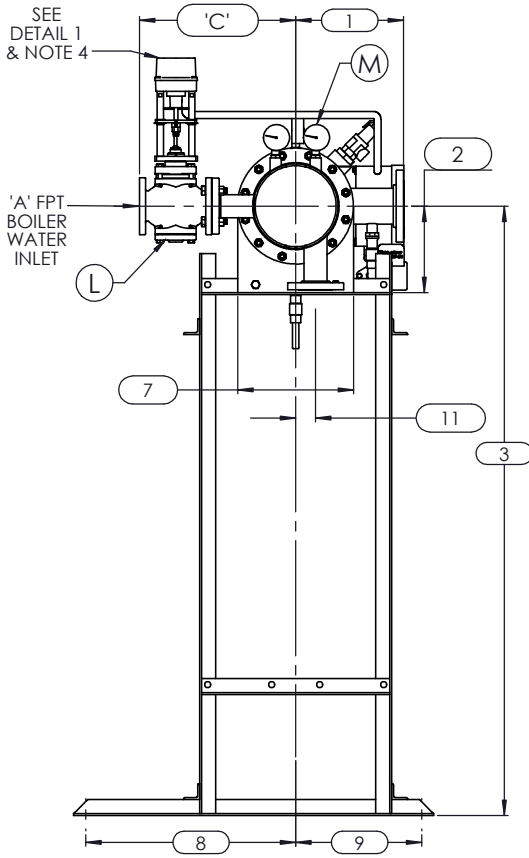


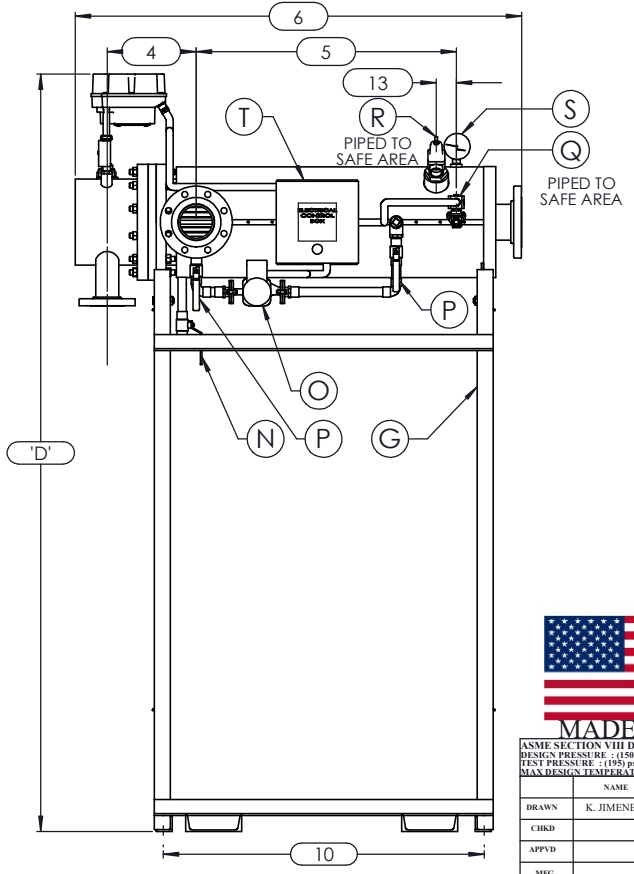
ISOMETRIC VIEW



TOP VIEW



LEFT VIEW



FRONT VIEW

NOTES:

1. REFER TO PRODUCT SPECIFICATION FOR DESCRIPTION OF LETTERED ITEMS.
 2. INSTALLATION: ALL COMPONENTS SHOWN HERE ARE PREWIRED & PREPIPED BY ACE HEATERS, LLC. CUSTOMER WILL ONLY NEED TO PLUMB WATER TO BE HEATED, PIPE STEAM AND CONDENSATE LINES, AND BRING ELECTRICITY TO UNIT.
 3. DIMENSIONS ARE SUBJECT TO CHANGE. CONSULT FACTORY FOR TIGHT DIMENSIONS.
 4. THIS CONFIGURATION CHANGES FOR VALVE SIZE 1/2" TO 2". SEE DETAIL 1 FOR REFERENCE.
- APPROX. EMPTY WT:



	CERTIFIED BY Ace Heaters, LLC www.aceheatingllc.com	
	MAXIMUM ALLOWABLE WORKING PRESSURE SHELL 150 PSI @ 210 °F TUBES 150 PSI @ 370 °F MIN. D.M.T. 0 °F @ 150 PSI S/N _____ YEAR BUILT _____	
	MODEL _____ CAPACITY _____ GAL SA. SQFT JOB NO. _____ XXX	



ASME SECTION VIII DIV 1:
 DESIGN PRESSURE - (150) psig
 TEST PRESSURE - (195) psig
 MAX DESIGN TEMPERATURE - 370 °F

DRAWN	NAME	DATE
CHKD	K. JIMENEZ	04/12/2023
APPVD		
MFG		
QA		

Ace Heaters, LLC www.aceheaters.com	
MATERIAL:	TITLE: SIHSW-COVER
FINISH:	MINIPACK SYSTEM-HORIZONTAL-SW
WEIGHT:	WATER 2W ELECT. OPERATED VALVE PACKAGE-SINGLE UNIT ON DUAL RACK
UNLESS OTHERWISE SPECIFIED DIMENSIONS ARE IN INCHES TOLERANCE	DWG NO. SIHSWWE-1-DR-2W
DECIMALS .XX ± .05 ANGULAR ± 3 MAX SURF	REV. 02
SCALE: N/A	S/O#
	SHEET: 1 OF 2

8

7

6

5

4

3

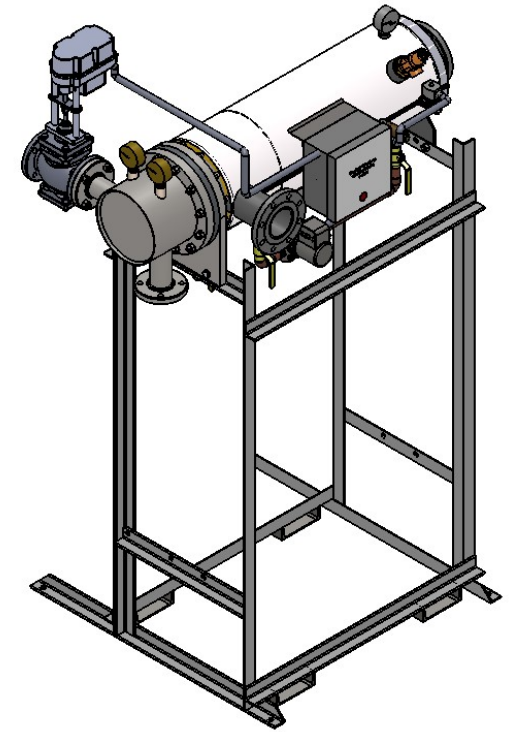
2

1

SIHSWWE-1-DR-2W, SW-WATER ELECTRIC 2-WAY MIXING VALVE PACKAGE SIZE AND LOCATION, SINGLE UNIT ON RACK

MP SIZE	4	5	6	8	8L	10	10L	12	12L	14	14L	16	16L	
ITEMS	1	9 1/2	11 1/2	12	11 9/16	11 9/16	13 7/16	13 7/16	14 7/16	14 7/16	15 3/4	15 3/4	17 5/8	17 5/8
	2	6 5/16	7 11/16	8 3/16	10 1/8	10 1/8	10 13/16	10 13/16	12 1/2	12 1/2	12 1/4	12 1/4	14	14
	3	58 9/16	59 15/16	60 7/16	62 3/8	62 3/8	76 1/16	76 1/16	77 3/4	77 3/4	77 1/2	77 1/2	79 1/4	79 1/4
	4	9 5/8	9 5/8	10 1/8	10 7/8	10 7/8	12 1/2	11 13/16	15 3/4	15 3/4	16 1/8	16 3/8	17 7/8	17 7/8
	5	36	30	36 3/4	31 3/4	37 3/4	32 1/2	38 1/2	33 1/4	45 1/4	40 1/2	55 3/4	50 1/2	65 3/4
	6	56	49	57 3/8	53 7/8	59 7/8	55 1/2	61 1/2	57 15/16	69 15/16	69 7/8	85 1/8	83 5/8	97 5/8
	7	7 1/2	8 5/8	9 3/4	11 3/4	11 3/4	14 3/8	14 3/8	16 1/2	16 1/2	18 1/2	18 1/2	20	20
	8	26 1/2	26 1/2	26 1/2	26 1/2	26 1/2	26 1/2	26 1/2	26 1/2	26 1/2	26 1/2	26 1/2	26 1/2	26 1/2
	9	15 1/2	15 1/2	15 1/2	15 1/2	15 1/2	15 1/2	15 1/2	15 1/2	15 1/2	15 1/2	15 1/2	15 1/2	15 1/2
	10	42 3/4	35 3/4	44 1/8	39 1/8	44 7/8	39 3/4	45 3/4	42	54 1/4	49 3/4	65	62 1/4	76 1/4
	11	1	1 3/8	1 1/2	2 1/16	2 1/16	2 1/2	2 1/2	3 1/16	3 1/16	3 1/8	3 1/8	3 1/4	3 1/4
	12	37	31	38	33	39	34	40	35	47	42	57	53	67
	13	2 1/2	2 1/2	2 1/2	2 1/2	2 1/2	2 1/2	2 1/2	2 1/2	2 1/2	2 1/2	2 1/2	2 1/2	2 1/2
INLET PIPE SIZE	2 THR.	2 1/2	2 1/2	3 FLG.	3 FLG.	4 FLG.	4 FLG.	4 FLG.	4 FLG.	5 FLG.	5 FLG.	6 FLG.	6 FLG.	6 FLG.
OUTLET PIPE SIZE	2 THR.	2 1/2	2 1/2	3 FLG.	3 FLG.	4 FLG.	4 FLG.	4 FLG.	4 FLG.	5 FLG.	5 FLG.	6 FLG.	6 FLG.	6 FLG.

VALVE SIZE 'A'	ITEM	VALVE SIZE AND OVERALL LOCATION												
1/2"	'C'	11 1/8	11 5/8	11 7/8	12 7/8	12 7/8	15 3/8	15 3/8	16 7/8	16 7/8	18 7/8	18 7/8	20 7/8	20 7/8
	'D'	74 5/16	75 11/16	76 3/16	78 1/8	78 1/8	91 13/16	91 13/16	93 1/2	93 1/2	93 1/4	93 1/4	95	95
3/4"	'C'	11 1/8	11 5/8	11 7/8	12 7/8	12 7/8	15 3/8	15 3/8	16 7/8	16 7/8	18 7/8	18 7/8	20 7/8	20 7/8
	'D'	74 5/16	75 11/16	76 3/16	78 1/8	78 1/8	91 13/16	91 13/16	93 1/2	93 1/2	93 1/4	93 1/4	95	95
1"	'C'	11 1/8	11 5/8	11 7/8	12 7/8	12 7/8	15 3/8	15 3/8	16 7/8	16 7/8	18 7/8	18 7/8	20 7/8	20 7/8
	'D'	74 5/16	75 11/16	76 3/16	78 1/8	78 1/8	91 13/16	91 13/16	93 1/2	93 1/2	93 1/4	93 1/4	95	95
1 1/4"	'C'	12	12 1/2	12 3/4	13 3/4	13 3/4	16 1/4	16 1/4	17 3/4	17 3/4	19 3/4	19 3/4	21 3/4	21 3/4
	'D'	74 15/16	76 5/16	76 13/16	78 3/4	78 3/4	92 7/16	92 7/16	94 1/8	94 1/8	93 7/8	93 7/8	95 5/8	95 5/8
1 1/2"	'C'	12	12 1/2	12 3/4	13 3/4	13 3/4	16 1/4	16 1/4	17 3/4	17 3/4	19 3/4	19 3/4	21 3/4	21 3/4
	'D'	74 15/16	76 5/16	76 13/16	78 3/4	78 3/4	92 7/16	92 7/16	94 1/8	94 1/8	93 7/8	93 7/8	95 5/8	95 5/8
2"	'C'	12 3/4	13 1/4	13 1/2	14 1/2	14 1/2	17	17	18 1/2	18 1/2	20 1/2	20 1/2	22 1/2	22 1/2
	'D'	75 3/16	76 9/16	77 1/16	79	79	92 11/16	92 11/16	94 3/8	94 3/8	94 1/8	94 1/8	95 7/8	95 7/8
2 1/2"	'C'	N/A	15 3/4	16	17	17	19 1/2	19 1/2	21	21	23	23	25	25
	'D'	N/A	78 15/16	79 7/16	81 3/8	81 3/8	95 1/16	95 1/16	96 3/4	96 3/4	96 1/2	96 1/2	98 1/4	98 1/4
3"	'C'	N/A	N/A	17	18	18	20 1/2	20 1/2	22	22	24	24	26	26
	'D'	N/A	N/A	80 1/16	82	82	95 11/16	95 11/16	97 3/8	97 3/8	97 1/8	97 1/8	98 7/8	98 7/8
4"	'C'	N/A	N/A	N/A	21	21	23 1/2	23 1/2	25	25	27	27	29	29
	'D'	N/A	N/A	N/A	83 1/8	83 1/8	96 13/16	96 13/16	98 1/2	98 1/2	98 1/4	98 1/4	100	100
5"	'C'	N/A	N/A	N/A	N/A	N/A	26 1/4	26 1/4	27 3/4	27 3/4	29 3/4	29 3/4	31 3/4	31 3/4
	'D'	N/A	N/A	N/A	N/A	N/A	97 5/16	97 5/16	99	99	98 3/4	98 3/4	100 1/2	100 1/2



ISOMETRIC VIEW



a nudyne company

Ace Heaters, LLC

www.aceheaters.com

NOTES:

1/ DIMENSIONS IN INCHES, AND SUBJECT TO CHANGE WITHOUT NOTICE.

2/ DIM 'B', 'C', 'D' ARE TO BE APPROXIMATED ONLY, CONSULT FACTORY FOR TIGHT DIMENSIONS.



ASME SECTION VIII DIV 1 :	
DESIGN PRESSURE :	(150) psig
TEST PRESSURE :	(195) psig
MAX DESIGN TEMPERATURE :	370 °F
DRAWN	K. JIMENEZ
DATE	04/12/2023
CHKD	
APPVD	
MFG	
QA	

MATERIAL :	TITLE :	SIHSW-COVER
FINISH :	MINIPACK SYSTEM-HORIZONTAL-SW	
WEIGHT :	WATER 2W ELECT. OPERATED VALVE PACKAGE - SINGLE UNIT ON DUAL RACK	
UNLESS OTHERWISE SPECIFIED DIMENSIONS ARE IN INCHES TOLERANCE	DWG NO.	SIHSWWE-1-DR-2W-DIM
DECIMALS .XX ± .05	ANGULAR ± 3	REV. 02
XXX ± .010	MAX SURF	SCALE: N/A
		S/O #
		SHEET: 2 OF 2

THE INFORMATION CONTAINED WITHIN THIS DRAWING IS PROPRIETARY AND THE SOLE PROPERTY OF ACE HEATERS, LLC. ANY REPRODUCTION IN PART OR AS A WHOLE WITHOUT THE WRITTEN PERMISSION OF ACE HEATERS, LLC IS PROHIBITED.

8

7

6

5

4

3

2

1