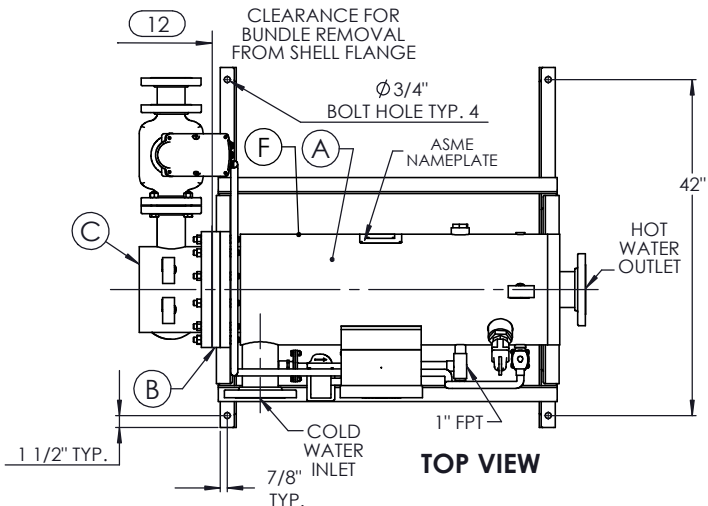
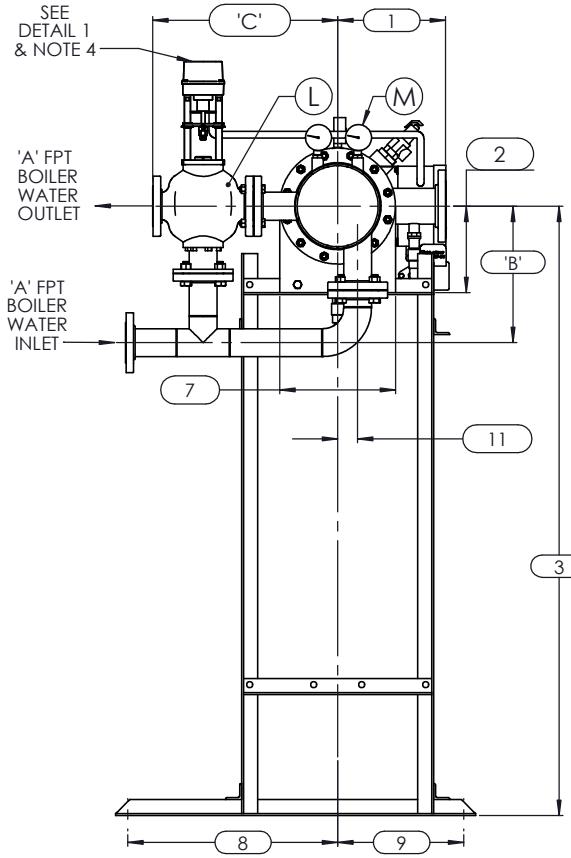


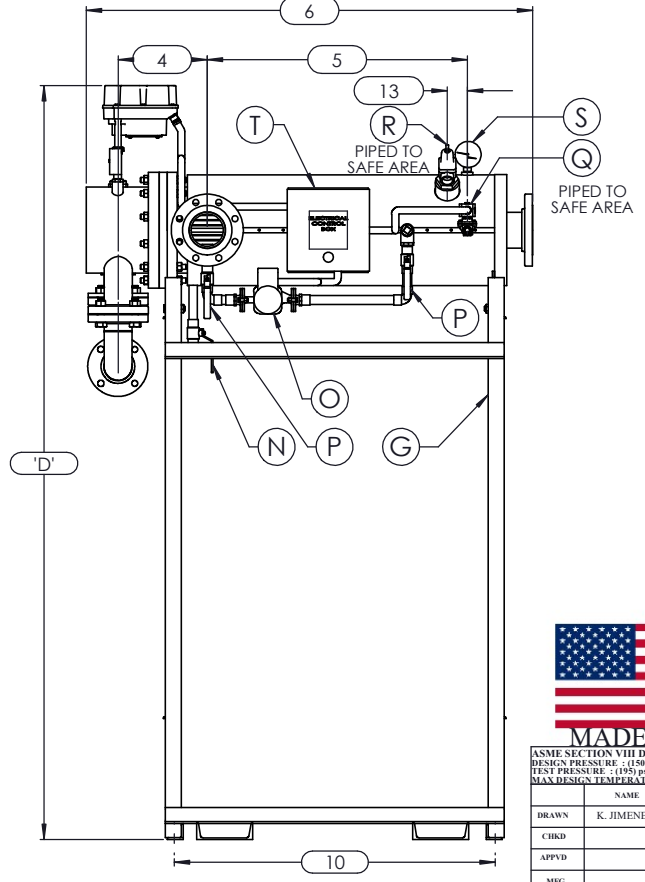
**ISOMETRIC VIEW**



**TOP VIEW**



**LEFT VIEW**

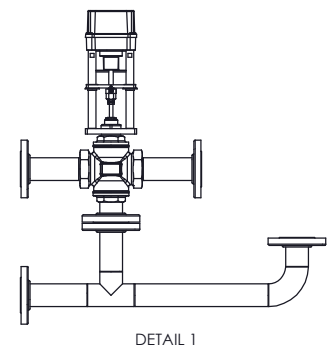


**FRONT VIEW**

**NOTES:**

1. REFER TO PRODUCT SPECIFICATION FOR DESCRIPTION OF LETTERED ITEMS.
2. INSTALLATION: ALL COMPONENTS SHOWN HERE ARE PREWIRED & PREPIPED BY ACE HEATERS, LLC. CUSTOMER WILL ONLY NEED TO PLUMB WATER TO BE HEATED, PIPE STEAM AND CONDENSATE LINES, AND BRING ELECTRICITY TO UNIT.
3. DIMENSIONS ARE SUBJECT TO CHANGE. CONSULT FACTORY FOR TIGHT DIMENSIONS.
4. THIS CONFIGURATION CHANGES FOR VALVE SIZE 1/2" TO 2". SEE DETAIL 1 FOR REFERENCE.

APPROX. EMPTY WT:



DETAIL 1



	CERTIFIED BY <b>Ace Heaters, LLC</b> www.aceheatingllc.com	
	MAXIMUM ALLOWABLE WORKING PRESSURE SHELL 150 PSI @ 210 °F TUBES 150 PSI @ 370 °F MIN. D.M.T. 0 °F @ 150 PSI S/N _____ YEAR BUILT _____	
	MODEL _____ CAPACITY _____ GAL SA. SQFT JOB NO. _____ XXX	
	U	



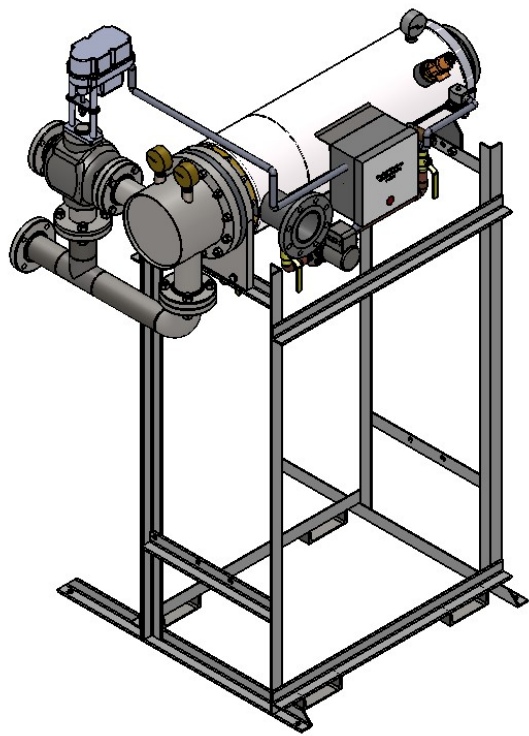
ASME SECTION VIII DIV 1: DESIGN PRESSURE - (150) psig TEST PRESSURE - (195) psig MAX DESIGN TEMPERATURE - 370 °F	
DRAWN: K. JIMENEZ CHKD: APPVD: MFG: QA:	DATE: 04/12/2023

<b>Ace Heaters, LLC</b> www.aceheaters.com	
MATERIAL:  FINISH:  WEIGHT:	TITLE: SIHSW-COVER MINIPACK SYSTEM-HORIZONTAL-SW WATER 3W ELECT. OPERATED VALVE PACKAGE-SINGLE UNIT ON DUAL RACK
UNLESS OTHERWISE SPECIFIED DIMENSIONS ARE IN INCHES TOLERANCE DECIMALS .XX ± .05 ANGULAR ± 3° MAX SURF	DWG NO. SIHSWWE-1-DR-3W REV. 02 SCALE: N/A S/O# SHEET 1 OF 2

SIHSWWE-1-DR-3W, SW-WATER ELECTRIC 3-WAY MIXING VALVE PACKAGE SIZE AND LOCATION, SINGLE UNIT ON RACK

MP SIZE	4	5	6	8	8L	10	10L	12	12L	14	14L	16	16L
1	9 1/2	11 1/2	12	11 9/16	11 9/16	13 7/16	13 7/16	14 7/16	14 7/16	15 3/4	15 3/4	17 5/8	17 5/8
2	6 5/16	7 11/16	8 3/16	10 1/8	10 1/8	10 13/16	10 13/16	12 1/2	12 1/2	12 1/4	12 1/4	14	14
3	58 9/16	59 15/16	60 7/16	62 3/8	62 3/8	76 1/16	76 1/16	77 3/4	77 3/4	77 1/2	77 1/2	79 1/4	79 1/4
4	9 5/8	10 5/8	10 1/8	10 7/8	10 7/8	12 1/2	11 13/16	15 3/4	15 3/4	16 1/8	16 3/8	17 7/8	17 7/8
5	36	30	36 3/4	31 3/4	37 3/4	32 1/2	38 1/2	33 1/4	45 1/4	40 1/2	55 3/4	50 1/2	65 3/4
6	56	49	57 3/8	53 7/8	59 7/8	55 1/2	61 1/2	57 15/16	69 15/16	69 7/8	85 1/8	83 5/8	97 5/8
7	7 1/2	8 5/8	9 3/4	11 3/4	11 3/4	14 3/8	14 3/8	16 1/2	16 1/2	18 1/2	18 1/2	20	20
8	26 1/2	26 1/2	26 1/2	26 1/2	26 1/2	26 1/2	26 1/2	26 1/2	26 1/2	26 1/2	26 1/2	26 1/2	26 1/2
9	15 1/2	15 1/2	15 1/2	15 1/2	15 1/2	15 1/2	15 1/2	15 1/2	15 1/2	15 1/2	15 1/2	15 1/2	15 1/2
10	42 3/4	35 3/4	44 1/8	39 1/8	44 7/8	39 3/4	45 3/4	42	54 1/4	49 3/4	65	62 1/4	76 1/4
11	1	1 3/8	1 1/2	2 1/16	2 1/16	2 1/2	2 1/2	3 1/16	3 1/16	3 1/8	3 1/8	3 1/4	3 1/4
12	37	31	38	33	39	34	40	35	47	42	57	53	67
13	2 1/2	2 1/2	2 1/2	2 1/2	2 1/2	2 1/2	2 1/2	2 1/2	2 1/2	2 1/2	2 1/2	2 1/2	2 1/2
INLET PIPE SIZE	2 THR.	2 1/2	2 1/2	3 FLG.	3 FLG.	4 FLG.	4 FLG.	4 FLG.	4 FLG.	5 FLG.	5 FLG.	6 FLG.	6 FLG.
OUTLET PIPE SIZE	2 THR.	2 1/2	2 1/2	3 FLG.	3 FLG.	4 FLG.	4 FLG.	4 FLG.	4 FLG.	5 FLG.	5 FLG.	6 FLG.	6 FLG.

VALVE SIZE 'A'	ITEM	VALVE SIZE AND OVERALL LOCATION												
1/2"	'B'	56 4/7	58	58 4/9	60 3/8	60 3/8	74	74	75 3/4	75 3/4	75 1/2	75 1/2	77 1/4	77 1/4
	'C'	15 11/16	16 3/16	16 7/16	17 7/16	17 7/16	19 15/16	19 15/16	21 7/16	21 7/16	23 7/16	23 7/16	25 7/16	25 7/16
	'D'	74 5/16	75 11/16	76 3/16	78 1/8	78 1/8	91 13/16	91 13/16	93 1/2	93 1/2	93 1/4	93 1/4	95	95
	'B'	56 1/3	57 2/3	58 1/5	60 1/8	60 1/8	73 4/5	73 4/5	75 1/2	75 1/2	75 1/4	75 1/4	77	77
3/4"	'C'	15 11/16	16 3/16	16 7/16	17 7/16	17 7/16	19 15/16	19 15/16	21 7/16	21 7/16	23 7/16	23 7/16	25 7/16	25 7/16
	'D'	74 5/16	75 11/16	76 3/16	78 1/8	78 1/8	91 13/16	91 13/16	93 1/2	93 1/2	93 1/4	93 1/4	95	95
	'B'	56 5/16	57 11/16	58 3/16	60 1/8	60 1/8	73 13/16	73 13/16	75 1/2	75 1/2	75 1/4	75 1/4	77	77
	'D'	16 11/16	17 3/16	17 7/16	18 7/16	18 7/16	20 15/16	20 15/16	22 7/16	22 7/16	24 7/16	24 7/16	26 7/16	26 7/16
1"	'B'	74 5/16	75 11/16	76 3/16	78 1/8	78 1/8	91 13/16	91 13/16	93 1/2	93 1/2	93 1/4	93 1/4	95	95
	'C'	56	57 4/9	58	59 7/8	59 7/8	73 4/7	73 4/7	75 1/4	75 1/4	75	75	76 3/4	76 3/4
	'D'	18	18 1/2	18 3/4	19 3/4	19 3/4	22 1/4	22 1/4	23 3/4	23 3/4	25 3/4	25 3/4	27 3/4	27 3/4
	'B'	74 15/16	76 5/16	76 13/16	78 3/4	78 3/4	92 7/16	92 7/16	94 1/8	94 1/8	93 7/8	93 7/8	95 5/8	95 5/8
1 1/4"	'C'	55 9/16	56 15/16	57 7/16	59 3/8	59 3/8	73 1/16	73 1/16	74 3/4	74 3/4	74 1/2	74 1/2	76 1/4	76 1/4
	'D'	18	18 1/2	18 3/4	19 3/4	19 3/4	22 1/4	22 1/4	23 3/4	23 3/4	25 3/4	25 3/4	27 3/4	27 3/4
	'B'	74 15/16	76 5/16	76 13/16	78 3/4	78 3/4	92 7/16	92 7/16	94 1/8	94 1/8	93 7/8	93 7/8	95 5/8	95 5/8
	'D'	54 9/16	55 15/16	56 7/16	58 3/8	58 3/8	72 1/16	72 1/16	73 3/4	73 3/4	73 1/2	73 1/2	75 1/4	75 1/4
2"	'C'	18 15/16	19 7/16	19 11/16	20 11/16	20 11/16	23 3/16	23 3/16	24 11/16	24 11/16	26 11/16	26 11/16	28 11/16	28 11/16
	'D'	75 3/16	76 9/16	77 1/16	79	79	92 11/16	92 11/16	94 3/8	94 3/8	94 1/8	94 1/8	95 7/8	95 7/8
	'B'	55 15/16	56 7/16	58 3/8	58 3/8	58 3/8	72 1/16	72 1/16	73 3/4	73 3/4	73 1/2	73 1/2	75 1/4	75 1/4
	'C'	N/A	19 3/8	19 5/8	20 5/8	20 5/8	23 1/8	23 1/8	24 5/8	24 5/8	26 5/8	26 5/8	28 5/8	28 5/8
3"	'D'	78 15/16	79 7/16	81 3/8	81 3/8	95 1/16	95 1/16	96 3/4	96 3/4	96 1/2	96 1/2	98 1/4	98 1/4	
	'B'	N/A	N/A	56 3/16	58 1/8	58 1/8	71 13/16	71 13/16	73 1/2	73 1/2	73 1/4	73 1/4	75	75
	'C'	N/A	N/A	19 5/8	20 5/8	20 5/8	23 1/8	23 1/8	24 5/8	24 5/8	26 5/8	26 5/8	28 5/8	28 5/8
	'D'	N/A	N/A	80 1/16	82	82	95 11/16	95 11/16	97 3/8	97 3/8	97 1/8	97 1/8	98 7/8	98 7/8
4"	'B'	N/A	N/A	N/A	57 3/8	57 3/8	71 1/16	71 1/16	72 3/4	72 3/4	72 1/2	72 1/2	74 1/4	74 1/4
	'C'	N/A	N/A	N/A	20 11/16	20 11/16	23 3/16	23 3/16	24 11/16	24 11/16	26 11/16	26 11/16	28 11/16	28 11/16
	'D'	N/A	N/A	N/A	83 1/8	83 1/8	96 13/16	96 13/16	98 1/2	98 1/2	98 1/4	98 1/4	100	100
	'B'	N/A	N/A	N/A	70	70	71 3/4	71 3/4	71 3/4	71 3/4	71 1/2	71 1/2	73 1/4	73 1/4
5"	'C'	N/A	N/A	N/A	N/A	N/A	23 3/16	23 3/16	24 11/16	24 11/16	26 11/16	26 11/16	28 11/16	28 11/16
	'D'	N/A	N/A	N/A	N/A	N/A	97 5/16	97 5/16	99	99	98 3/4	98 3/4	100 1/2	100 1/2




ISOMETRIC VIEW



**NOTES:**  
 1/ DIMENSIONS IN INCHES, AND SUBJECT TO CHANGE WITHOUT NOTICE.  
 2/ DIM 'B', 'C', 'D' ARE TO BE APPROXIMATED ONLY, CONSULT FACTORY FOR TIGHT DIMENSIONS.



ASME SECTION VIII DIV 1: DESIGN PRESSURE - (150) psig TEST PRESSURE - (195) psig MAX DESIGN TEMPERATURE - 370 °F	
NAME	DATE
DRAWN	K. JIMENEZ 04/12/2023
CHKD	
APPVD	
MFG	
QA	

 Ace Heaters, LLC www.aceheaters.com	
MATERIAL:	TITLE: SIHSW-COVER
FINISH:	MINIPACK SYSTEM-HORIZONTAL-SW
WEIGHT:	WATER 3W ELECT. OPERATED VALVE PACKAGE - SINGLE UNIT ON DUAL RACK
UNLESS OTHERWISE SPECIFIED DIMENSIONS ARE IN INCHES TOLERANCE	DWG NO. SIHSWWE-1-DR-3W-DIM
DECIMALS .XX ± .05 XXX ± .010	ANGULAR ± 3 MAX SURF
SCALE: N/A	S/O#
	REV. 02
	SHEET: 2 OF 2